



OWNER'S MANUAL

MICROMARK - MICROMARK 801 - MINIMARK

1. IMPORTANT SAFETY INSTRUCTIONS

- 1) Read these instructions;
- 2) Keep these instructions;
- 3) Heed all warnings;
- 4) Follow all instructions;
- 5) Do not use this apparatus near water;
- 6) Clean only with dry cloth;
- 7) Do not block any ventilation openings. Install in accordance with the manufacturer's instructions;
- 8) Do not install near any heat sources such as radiators, heat registers, stoves, or other apparatus (including amplifiers) that produce heat;
- 9) Do not defeat the safety purpose of the polarized or ground-type plug. A polarized plug has two blades with one wider than the other. A grounding type plug has two blades and a third grounding prong. The wide blade or the third prong are provided for your safety. If the provided plug does not fit into your outlet, consult an electrician for replacement of the obsolete outlet;
- 10) Protect the power cord from being walked on or pinched, particularly at plugs, convenience receptacles, and the point where they exit from the apparatus;
- 11) Only use attachments/accessories specified by the manufacturer;
- 12) Unplug this apparatus during lightning storms or when unused for long periods of time;
- 13) Refer all servicing to qualified service personnel. Servicing is required when the apparatus has been damaged in any way, such as when the power-supply cord or plug is damaged, liquid has been spilled or objects have fallen into the apparatus, or when the apparatus has been exposed to rain or moisture, does not operate normally, or has been dropped;
- 14) "Warning: to reduce the risk of fire or electric shock, do not expose this apparatus to rain or moisture; and objects filled with liquids, such as vases, should not be placed on this apparatus";
- 15) The socket outlet shall be installed near the equipment and shall be easily accessible;
- 16) The power cord must be unplugged prior to servicing.

1. PRÉCAUTIONS D'EMPLOI

- 1) Lire ces instructions;
- 2) Conserver ces instructions;
- 3) Suivre tous les conseils d'utilisations;
- 4) Suivre toutes les instructions;
- 5) Ne pas utiliser cet appareil au bord de l'eau;
- 6) Nettoyer uniquement avec un chiffon humide;
- 7) Ne pas bloquer le système de ventilation. Installer conformément aux instructions du fabricant;
- 8) Ne pas installer l'appareil près d'une source de chaleur tel qu'un radiateur, un fourneau, ou bien un autre appareil qui produit de la chaleur;
- 9) Ne pas modifier le système de sécurité de la fiche polarisée ou de la fiche pour les prises de terre. Une fiche polarisée a deux broches, l'une étant plus distante de l'autre. Une fiche pour prise de terre a deux broches et une pointe pour la masse. La broche plus distante et la pointe pour la masse ont été installées pour votre sécurité. Si la fiche fournie ne rentre pas dans votre prise de courant consulter un électricien pour la substitution;
- 10) Protéger le cordon d'alimentation afin qu'il ne soit pas piétiné ou écrasé tout particulièrement au niveau des fiches, des prises de courant femelles, et des parties qui sortent de l'appareil;
- 11) Utiliser uniquement les accessoires recommandés par le fabricant;
- 12) Ne pas brancher l'appareil en cas d'orage accompagné d'éclairs. Le débrancher en cas de non utilisation prolongée;
- 13) S'adresser à un service assistance agréé si l'appareil a subi des dommages, si le cordon d'alimentation ou la fiche a été endommagé, si un liquide a été renversé sur l'appareil ou bien si un objet est tombé dans l'appareil, si ce dernier a été exposé à la pluie ou à l'humidité, s'il ne fonctionne pas correctement ou s'il est tombé;
- 14) "Avertissement: pour réduire le risque du feu ou de décharge électrique, n'exposez pas cet appareil à la pluie ou l'humidité et les objets remplis de liquides; tels que des vases, ne devraient pas être placés sur cet appareil";
- 15) La prise de courant doit être installée près de l'appareil et doit être facilement accessible;
- 16) La fiche principale doit être débranchée avant toute opération d'entretien.

MORE INFORMATION

For warranty and service information, please contact your local Markbass distributor (contact information available at www.markbass.it). For more technical information, please visit us at www.markbass.it and fill out the form on the Support page. We hope you enjoy your power amp and use it to make great music!



"The Lightning Flash with arrowhead symbol within an equilateral triangle, is intended to alert the user to the presence of uninsulated "dangerous voltage" within the product enclosure that may be of sufficient magnitude to constitute a risk of shock to persons."

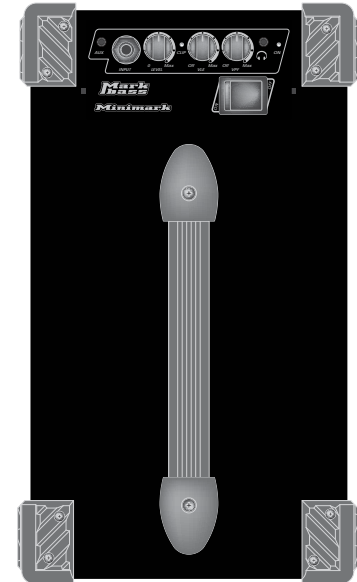
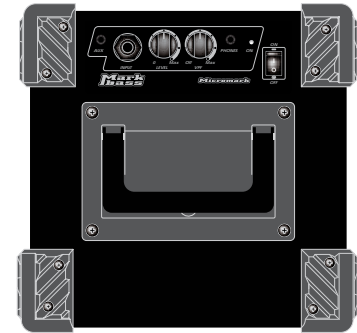
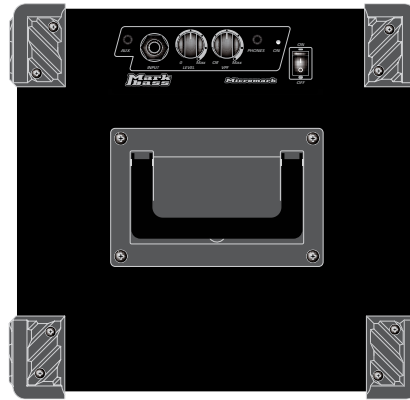


"The exclamation point within an equilateral triangle is intended to alert the user to the presence of important operating and maintenance (servicing) instructions in the literature accompanying the product."



2. CONTENTS

MICROMARK/MICROMARK 801	
INTRODUCTION	3
PRODUCT OVERVIEW	4
FUNCTIONS OVERVIEW (TOP PANEL)	4
FUNCTIONS OVERVIEW (REAR PANEL)	5
TECHNICAL SPECS	6
GRAPH	6
BLOCK DIAGRAM	6
MINIMARK	
PRODUCT OVERVIEW	7
FUNCTIONS OVERVIEW (TOP PANEL)	7
FUNCTIONS OVERVIEW (REAR PANEL)	8
TECHNICAL SPECS	9
GRAPH	9
BLOCK DIAGRAM	10



3. INTRODUCTION

Congratulations on purchasing one of the world's best bass amplifiers! Markbass amps are built to the highest standards by a small team of skilled technicians in San Giovanni Teatino, Italy.

We have spent many years researching not only the highest-quality technologies for bass amp design and construction, but also the practical needs of the working bassist.

The end result is a product that combines outstanding sound quality with intuitive features, attractive design and extreme reliability—all in one impossibly lightweight unit.

This amp will allow your instrument to speak in its natural voice, faithfully conveying your musical ideas to your audience with stunning clarity.

Your amplifier has passed rigorous product testing and should survive even the toughest of environments on the road and rehearsal halls. Nonetheless, please treat it with care and you will be rewarded with many, many years of glorious, rich, powerful bass tone!

If the clarity and power of this amp inspire you to play better music, we will have succeeded in our mission. Good luck and enjoy your new best friend!

Sincerely, Markbass

4. MICROMARK/MICROMARK 801 PRODUCT OVERVIEW

The Micromark is a compact, high-quality bass combo amp with a solid-state preamp and an analog power amp, which delivers 45W of power into one 6" neodymium woofer.

Its "big brother," the Micromark 801, is still small enough to deliver the Markbass sound anywhere, but big enough to provide a fuller sound with plenty of bottom end! The Micromark 801 has the same power but features a single yellow 8" Markbass neodymium speaker.

Both combos feature a speaker output that can either be used for an 8 ohm extension cabinet (drawing 60W from the head in the combo), or for a "satellite" Tweeter Box (to increase high end frequency response).

4.1 MICROMARK/MICROMARK 801 FUNCTIONS OVERVIEW (TOP PANEL)

INPUT (2)

The input jack accepts an unbalanced signal from your bass via a standard 1/4" instrument cable.

VOLUME (3)

Start with the volume (LEVEL) off (all the way counter-clockwise) and turn clockwise until you reach your desired volume.

VPF (4)

The VPF (Variable Preshape Filter) boosts lows (around 35 Hz) and highs (around 10 kHz), and cuts mids at 380 Hz.

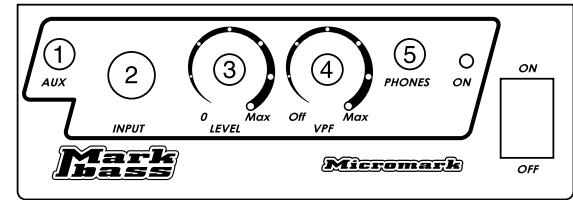
This filter sounds great for rock music and is also a favorite of many slap bass players. At higher volumes, turning the VPF up high will result in more output limiting due to the increase in low frequencies.

AUX IN (1)

Use this jack to plug in a CD player, MP3 player, iPod, etc. using a mini plug (1/8"). The signal mixes in evenly with your instrument input. Since there is no separate level control for each input, use the volume knobs on your bass and your CD/MP3 player to achieve the right mix.

HEADPHONE JACK (5)

For quiet practicing, plug headphones into this mini plug (1/8") input. If you plug in headphones, the amp's speaker will stay on unless you turn it off using the switch (6) on the rear panel. To control the level to your headphones, use the volume control on the amp, and/or the volume knob on your bass.



4.2 MICROMARK/MICROMARK 801 FUNCTIONS OVERVIEW (REAR PANEL)

SPEAKER ON/OFF (6)

Use this switch to turn off the amp's speaker when using headphones or using only the extension cabinet.

LINE OUT (8)

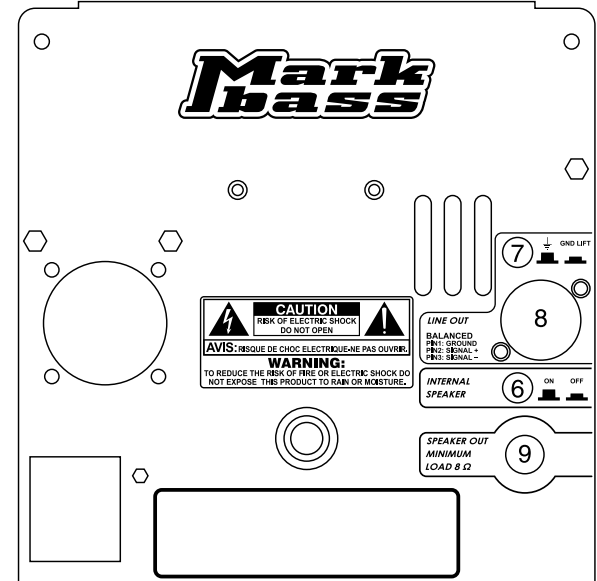
This balanced XLR output may be used for recording or live situations. Use an XLR cable to connect your amp to a soundboard, snake or soundcard.

GROUND LIFT (7)

When you detect a hum from your line out signal, switching the ground lift will more than likely eliminate it.

SPEAKER (9)

Using a standard 1/4" speaker cable, this jack can be used to connect to a Markbass "Tweeter Box" for increased high end response, or to an 8 ohm extension cabinet to create a louder 60W rig!



5. MICROMARK/MICROMARK 801 TECHNICAL DETAILS

INPUTS

INPUT Impedance: 500 Kohm, max. voltage: 8 Vpp
AUX INPUT Impedance: 33 Kohm, max. voltage: 20 Vpp

CONTROLS

VOLUME (Level) -60 dB to +25 dB range
GROUND LIFT Switch on rear panel
SPEAKER ON/OFF Switch on rear panel

EQUALIZATION

VPF (Variable Pre-shape Filter) Center frequency 380 Hz (cut)

OUTPUTS

LINE OUT Balanced XLR, max. voltage 10 Vpp
HEADPHONE OUT 1/8" mini plug, max voltage 12 Vpp (30 ohm); 45 Vpp (600 ohm)

OTHER

SPEAKER 1x6" neodymium woofer (MICROMARK)
 1x8" neodymium woofer (MICROMARK 801)
SPEAKER / TWEETER OUT Optional speaker/tweeter plugs into jack on rear panel
PREAMP Solid state
POWER AMP Analog
POWER SUPPLY Analog

FREQUENCY RESPONSE 70Hz to 8 kHz (18 kHz with optional tweeter) (MICROMARK)
 60Hz to 8 kHz (18 kHz with optional tweeter) (MICROMARK 801)
SENSITIVITY 100 db SPL

DIMENSIONS 8.86" x 8.86" x 8.62" / 22,5 x 22,5 x 21,9 cm (MICROMARK)
 10.55" x 10.55" x 10.31" / 26,8 x 26,8 x 26,2 cm (MICROMARK 801)

WEIGHT 9.26 lbs / 4,2 kg (MICROMARK)
 11.46 lbs / 5,2 kg (MICROMARK 801)

POWER 45W @ 8 ohms / 60W @ 4 ohms (AES standard)

POWER REQUIREMENT

100V; 120V; 230V; 240V 50/60Hz
 (Version factory preset inside the equipment)

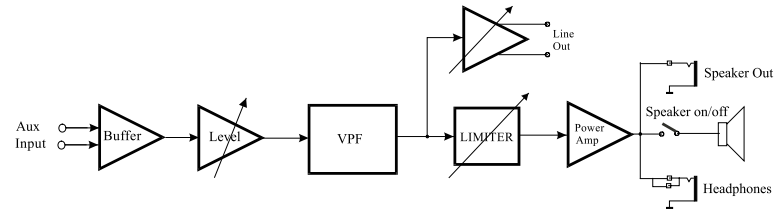
Markbass apparatuses are manufactured to be sold and used in the country of purchase, and are factory preset to that country's voltage.

Due to homologation issues, the voltage may not be changed.

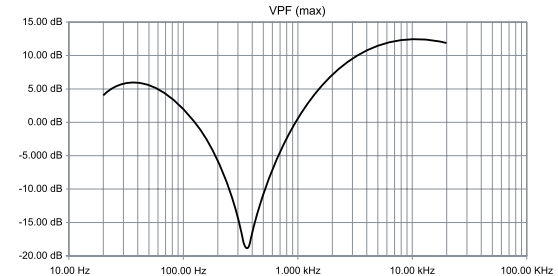
FUSE

EUROPE	1A 250VT	5x20
AUSTRALIA/UK	1A 250VT	5x20
USA/CANADA	2A 250VT	5x20
JAPAN	2A 250VT	5x20

6. MICROMARK/MICROMARK 801 BLOCK DIAGRAM



7. MICROMARK/MICROMARK 801 VPF GRAPH



8. MINIMARK PRODUCT OVERVIEW

The Markbass Minimark is a compact, high-quality bass combo amp with a solid-state preamp and an analog power amp, which delivers 150W of power into two 6" neodymium woofers and a piezo tweeter. Connected to an 8 ohm extension cabinet, it delivers 250W of power.

8.1 MINIMARK FUNCTIONS OVERVIEW (TOP PANEL)

INPUT (2)

The input jack accepts an unbalanced signal from your bass (active or passive) via a standard 1/4" instrument cable.

LEVEL (3)

Start with the volume (LEVEL) off (all the way counter-clockwise) and turn clockwise until you reach your desired volume.

CLIP (4)

The clip LED illuminates if the level of the input signal is too high. If the clip light illuminates, reduce the volume level to avoid limiting and distortion.

VLE and VPF FILTERS (5)

The VLE (Vintage Loudspeaker Emulator) filters out high frequencies to give you a mellower, less modern sound.

As you turn the knob clockwise, you will find that a wider and wider range of high frequencies gets cut (see page 7 for a graph of this filter's function). This EQ effect is especially useful for acoustic and older styles of music.

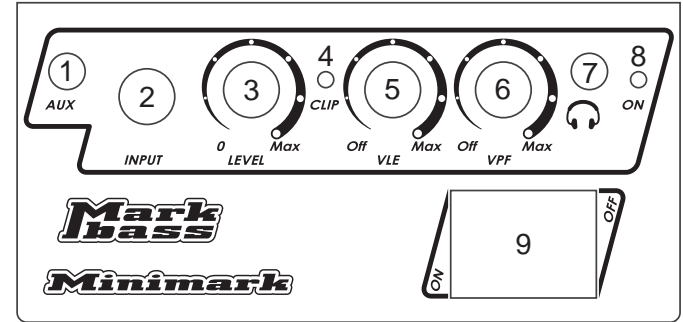
The VPF (6) (Variable Preshape Filter) boosts lows (around 35 Hz) and highs (around 10 kHz), and cuts mids at 380 Hz. This filter sounds great for rock music and is also a favorite of many slap bass players. Note that at higher volumes, turning the VPF up high will result in more output limiting due to the increase in low frequencies.

AUX IN (1)

Use this jack to plug in a CD player, MP3 player, iPod, drum machine, laptop, etc. using a mini plug (1/8"). The signal mixes in evenly with your instrument input. Since there is no separate level control for each input, use the volume knobs on your bass and your CD/MP3 player to achieve the right mix.

HEADPHONE JACK (7)

For quiet practicing, plug headphones into this mini plug (1/8") jack. If you plug in headphones, the amp's speaker will stay on unless you turn it off using the switch (11) on the rear panel. To control the level to your headphones, use the volume control on the amp, and/or the volume knob on your bass (and aux input device, if applicable).



8.2 MINIMARK REAR PANEL

SPEAKERS ON/OFF (11)

Use this switch to turn off the amp's speakers and extension cabinet (if applicable) when using headphones.

LINE OUT (12)

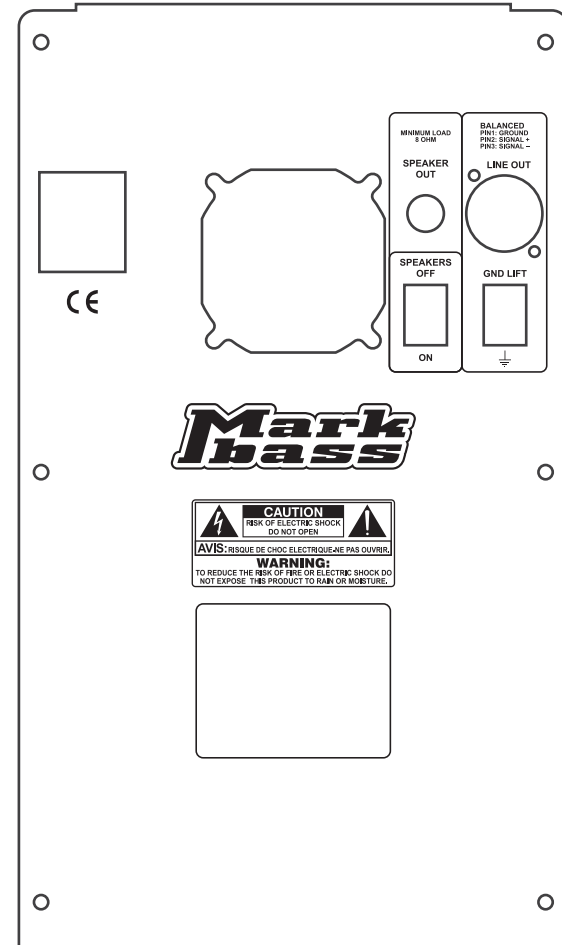
This balanced XLR output may be used for recording or live situations. Use an XLR cable to connect your amp to a soundboard, snake or soundcard.

GROUND LIFT (13)

When you detect a hum from your line out signal, switching the ground lift will more than likely eliminate it.

SPEAKER OUT (10)

This 1/4" jack accepts an additional cabinet with a minimum impedance of 8 ohms.



9 MINIMARK TECHNICAL DETAILS

INPUTS	
INPUT	impedance: 500 Kohm, max. voltage: 10 Vpp
AUX INPUT	impedance: 600 ohm, max. voltage: 15 Vpp
CONTROLS	
VOLUME (LEVEL)	-45 dB to +28 dB range
GROUND LIFT	switch on rear panel
SPEAKER ON/OFF	switch on rear panel
EQUALIZATION	
VLE (Vintage Loudspeaker Emulator)	frequency range 250 Hz - 20 kHz
VPF (Variable Pre-shape Filter)	center frequency 380 Hz
OUTPUTS	
LINE OUT	balanced XLR, max. voltage 5 Vpp; GND lift
HEADPHONE OUT	1/8" mini plug, max voltage 10 Vpp (30 - 600 ohm)
POWER	250W RMS @ 4 ohms, 150W RMS @ 8 ohms (AES Standard)
OTHER	
SPEAKER	2x6" neodymium woofers
TWEETER	Piezo
PREAMP	Solid state
POWER AMP	Analog
POWER SUPPLY	Digital
FREQUENCY RESPONSE	45 Hz to 18 kHz
SENSITIVITY	101 dB SPL
HEIGHT	17.24 in. / 43.8 cm
WIDTH	8.86 in. / 22.5 cm
DEPTH	15.24 in. / 38.7 cm
WEIGHT	20.72 lbs / 9.4 kg

POWER REQUIREMENT

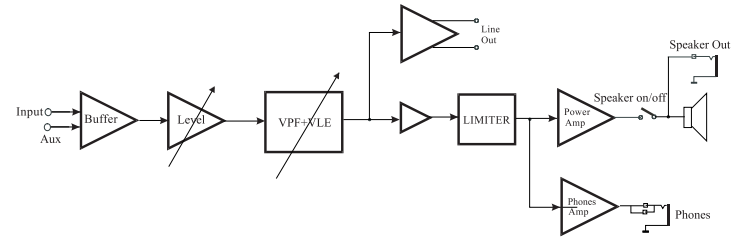
100V; 120V; 230V; 240V - 50/60 Hz
(Version factory preset inside the equipment)

Markbass apparatuses are manufactured to be sold and used in the country of purchase, and are factory preset to that country's voltage. Due to homologation issues, the voltage may not be changed.

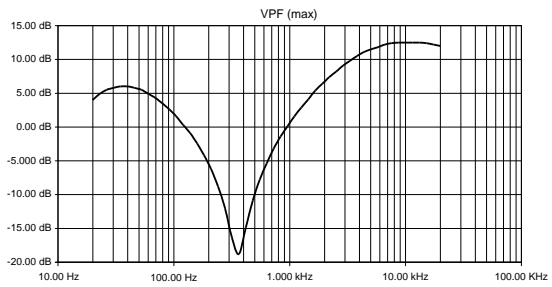
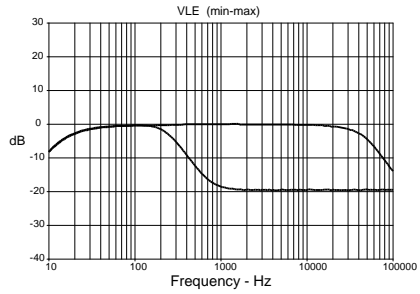
FUSE

EUROPE	3.15A 250V T 5x20
AUSTRALIA/UK	3.15A 250V T 5x20
USA/CANADA	6.3A 250V T 5x20
JAPAN	6.3A 250V T 5x20

10. MINIMARK BLOCK DIAGRAM



11. MINIMARK GRAPHS



Product specifications are subject to change without notice



Italy - 66020 San Giovanni Teatino (Ch) - Via Po, 52 - Tel. +39 085 446 3755 - Fax +39 085 440 7764 -
www.markbass.it - info@markbass.it