



**QUIKLOK®**

## **WORKSTATIONS &** computer furniture



## Z/630 PROJECT WORKSTATION, AN INTEGRATION OF BEAUTY AND FUNCTIONALITY BY QUIK LOK'S ITALIAN DESIGNERS TEAM

- For the harmonious integration of your human activity within the high-tech world let Quik-Lok help you improve your flow of creative energy
- The Z/630 project workstation with its own 8-space rack, and the Z/612 companion 12-space rack, are the essence of design and functionality
- From the finest wood laminate tops and shelves to the underlying computer-welded 14-gauge steel with powder-coating black finish, these structures add a modern, elegant look to any work environment
- Available with wood laminate tops in both black and cherry finish

### Z/630 CY

- Dual level project desk system with 8-space rack holders and contoured cherry wood tops

#### Main Shell dimensions:

Height from floor:	28.9" - 73.4 cm
Width:	68.68" - 175 cm
Depth:	23.74" - 60.3 cm
Thickness:	18 mm

#### Top Shelf dimensions:

Height from floor:	39.33" - 100 cm
Width:	78.35" - 199 cm
Depth:	14.71" - 37.5 cm
Thickness:	18 mm

Overall Width:	78.35" - 199 cm
Overall Depth:	45.78" - 116.3 cm
Metal frame colour:	Black

Options: Z/712 BK/CY, LPH/T, TM/109, IPS/16, A/156



View of Z/630 CY project desk system set up for use





View of Z/630 BK project desk system set up for use

**Z/630 BK**

- Dual level project desk system with 8-space rack holders and contoured black wood tops

**Main Shell dimensions:**

Height from floor:	28.9" - 73.4 cm
Width:	68.68" 175 cm
Depth:	23.74" - 60.3 cm
Thickness:	18 mm

**Top Shelf dimensions:**

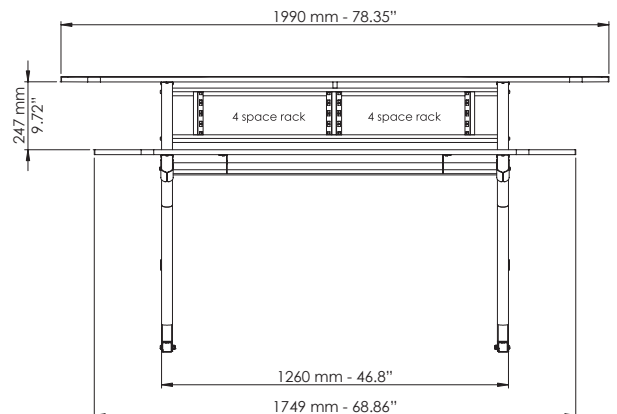
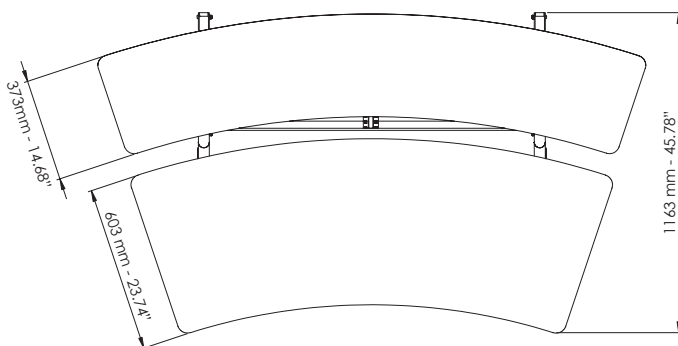
Height from floor:	39.33" - 100 cm
Width:	78.35" - 199 cm
Depth:	14.71" - 37.5 cm
Thickness:	18 mm

Overall Width:	78.35" - 199 cm
Overall Depth:	45.78" - 116.3 cm
Metal frame colour:	Black

Options: Z/712 BK/CY, LPH/T, TM/109, IPS/16, A/156



Details of Z/630 base equipped with hidden casters for easy mobility and stabilizing plastic feet to compensate for uneven floors



## DESIGNER SERIES COMPUTER FURNITURE

- Ergonomically designed for maximum comfort and efficiency
- Sleek, attractive styling adds modern, elegant look to any work environment
- Feature scratch-resistant 3/4" (18 mm) thick laminate shelves, in black finish
- Computer-welded heavy duty steel frame provides tremendous weight capacity
- Powder-coating black enamel finish
- Accommodates all kinds of computer equipment and accessories

**Z/460 BK**

- Triple Shelf Workstation with black wood tops and pull-out shelf
- Includes a 4-space rack holder (easily removable if not required)

**Main shelf dimensions:**

Height from floor:	28.8" - 73.2 cm
Width:	44" - 111.8 cm
Depth:	22" - 55.9 cm
Thickness:	3/4" - 18 mm

**Top shelf dimensions:**

Height from floor:	38.8" - 98.6 cm
Width:	49.25" - 125 cm
Depth:	12.75" - 32.4 cm
Thickness:	3/4" - 18 mm

**Pull-out shelf dimensions:**

Height from floor:	25.8" - 65.7 cm
Width:	29.8" - 75.7 cm
Depth:	14" - 35.5 cm
Thickness:	3/4" - 18 mm

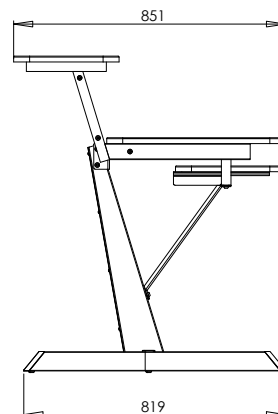
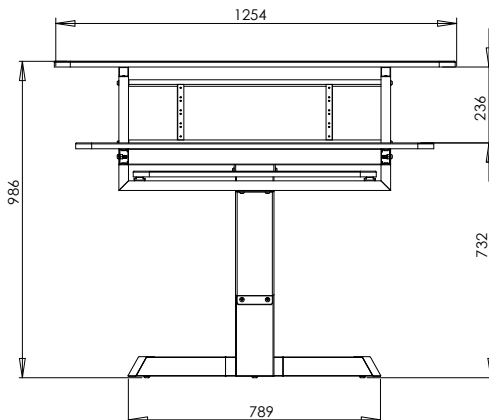
**Overall dimensions:**

Width:	49.37" - 125.4 cm
Depth:	33.46" - 85 cm
Height:	38.8" - 98.6 cm

Options: ZM/99, LPH/T, IPS/16



View of Z/460BK cable management rear channel



### Z/612BK

- 12-Space companion rack stand, with contoured black wood top

Height: 28.9" - 73.5 cm  
 Width: 24" - 61 cm  
 Depth: 20.8 - 53 cm  
 Weight capacity: 200 lb - 90.5 kg

#### Z/612BK AM

Supplied with 10/32" Whitworth (US thread) bolts & cagenuts

#### Z/612BK EU

Supplied with 6 mm Metric (European thread) bolts & cagenuts

#### Top Shelf dimensions:

Width: 30" - 76 cm  
 Depth: 23.8" - 60.5 cm  
 Thickness: 18 mm



View showing two possible configurations of Z/460BK project desk system in combination with Z/612BK rack stand

### Z/612CY

- 12-Space companion rack stand, with contoured cherry wood top

Height: 28.9" - 73.5 cm  
 Width: 24" - 61 cm  
 Depth: 20.8 - 53 cm  
 Weight capacity: 200 lb - 90.5 kg

#### Z/612CY AM

Supplied with 10/32" Whitworth (US thread) bolts & cagenuts

#### Z/612CY EU

Supplied with 6 mm Metric (European thread) bolts & cagenuts

#### Top Shelf dimensions:

Width: 30" - 76 cm  
 Depth: 23.8" - 60.5 cm  
 Thickness: 18 mm



## Z/500 SERIES EXPANDABLE MUSIC PROJECT STATION

- Wide range of options offer musicians different ways to configure their work area
- Add computer peripherals, speakers, rack equipment, music keyboards, mixers, etc.
- Sleek, attractive styling is a perfect complement to any home or studio environment
- All work shelves and crossbars are height adjustable
- Speaker shelves may be mounted inward to save space
- Computer-welded steel frame and 3/4" (18 mm) thick laminate work surfaces
- Powder-coating black enamel finish



Z/555 workstation shown complete with add-on options

**Z/555**

- Music Project Station  
55" (139.5 cm) Wide



<b>Main shelf dimensions:</b>	
Height positions from floor:	26.75", 27.75", 28.75" 68, 70.5, 73 cm
Width:	51.2" - 130 cm
Depth:	27.5" - 70 cm
Thickness:	3/4" - 18 cm
<b>Monitor shell dimensions:</b>	
Height from floor:	41" - 104 cm
Width:	11.8" - 30 cm
Depth:	11.8" - 30 cm
<b>Top crossbar height from floor:</b>	36", 37", 38" 91.4, 94, 96.5 cm
<b>Frame dimensions:</b>	30x50 mm
Monitor shelves turned in:	55" - 139.5 cm
Monitor shelves turned out:	75.6" - 192 cm
Depth of legs:	35.4" - 90 cm
Weight capacity:	See weight capacity of individual components

Options: Z/710, Z/711, Z/712, ZM/55, ZM/90, ZM/91, ZM/93, ZM/94, ZM/99, LPH/T, IPS/16



View showing the Z/555 music project station in several possible configurations, easily obtainable by adding the Z/500 Series options to customize your ideal work area



**LPH/T**

- Add-on laptop holder for studios and multi-media workstations.
- Can be securely anchored to any table top surface by means of its tightening clamp (adjustable up to 45 mm).
- Can accommodate virtually any size laptop 10.2" to 16.5" (26 to 42 cm) wide and 10.2" to 16.5" (26 to 42 cm) deep. Four stoppers, adjustable in width and depth, will securely anchor any size laptop, without interfering with input/output ports, expansion slots, cd-rw/dvd drivers, A/C adapter sockets placed on either side of the laptop.
- The laptop tray is height and tilt adjustable, and swivels at 360° to allow for ideal positioning.
- Equipped with pull-out mouse tray, that can be positioned on either the left or right side of the laptop, and is retractable for easy storage and transport.

Height adjustment*:	from 10.2" to 14.5" from 26 to 37 cm
Laptop tray dimensions:	10" x 10" 25 x 25 cm
Mouse tray dimensions:	5.3" x 5.3" 13.5 x 13.5 cm
Laptop stoppers width range:	from 10.2" to 16.5" from 26 to 42 cm
Laptop stoppers depth range:	from 10.2" to 16.5" from 26 to 42 cm
Clamp opening.	1.77" - 4.5 cm
Color:	Black

\*measured from table top to bottom of laptop tray)

**IPS/16**

- Add-on universal tablet holder for studios and multi-media workstations.
- Can be securely anchored to any table top surface up to 72 mm thick (2.83") by means of its tightening clamp, but can also be connected to any stand with round tubing diameter of up to 50 mm (1.968").
- Clever, safe and practical design allows musicians to integrate their tablet with existing furniture, for use on stage, production studios, in the rehearsal room or at home.
- Will accommodate virtually any size tablet having side measurements ranging from 111 mm to 301 mm (4.37" to 11.85") and depth ranging from 6.9 mm to 18.7 mm (0.27" to 0.73").
- Flexible yet rugged rubberized plastic stoppers will hold the tablet firmly and securely in place, without interfering with dock connector, speaker, headphone jack, on/off and volume buttons.
- No-wobble, lightweight aluminium plate is designed to ensure full tilt and rotational adjustability, and to switch rapidly from the vertical to the horizontal viewing mode without slipping, for ideal positioning of your tablet.

Weight capacity:	33 lb - 15 kg
Color:	Titanium or Black



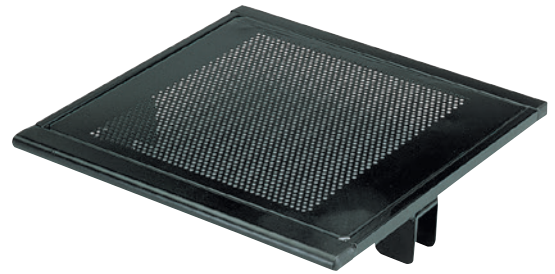
Details of IPS/16 tightening clamp device



### Z/711

- Add-on Perforated Metal Shelf. Attaches easily onto lower crossbar of all "Z" stands
- Off-center design allows shelf to be mounted either closer or further away from user

Shelf Depth:	13" - 33 cm
Shelf Width:	13.9" - 35.3 cm
Weight capacity:	75 lb - 33.7 kg
Weight:	3.5 lb - 1.6 kg
Color:	Black



### Z/710

- Add on formica shelf
- Optional laminated shelf, attaches easily onto crossbar of all "Z" stands
- Off-center design allows shelf to be mounted either closer or further away from user

Shelf Depth:	18.3" - 46.5 cm
Shelf Width:	30" - 76 cm
Shelf Thickness:	18 mm
Weight capacity:	90 lb - 40 kg
Weight:	13.3 lb - 6 kg



#### Z/710 BK CY

Cherry

#### Z/710 BK GR

Dove Grey

### Z/712 BK/GR

- Add-on Sliding Computer keyboard shelf
- Optional laminated formica sliding shelf mounts to main tier of Z/555 stand
- Designed to hold all computer keyboards and most 25 to 37 note keyboard controllers

Shelf Depth:	14" - 35.5 cm
Shelf Width:	30" - 76.5 cm
Shelf Thickness:	18 mm
Clearance:	3.2" - 8.2 cm
Weight capacity:	32 lb - 14.4 kg
Weight:	11.1 lb - 5 kg
Shelf color:	Dove Grey



### Z/712 BK/CY

- Add-on Sliding Computer keyboard shelf
- Optional laminated formica sliding shelf mounts to main tier of Z/555 stand
- Designed to hold all computer keyboards and most 25 to 37 note keyboard controllers

Shelf Depth:	14" - 35.5 cm
Shelf Width:	30" - 76.5 cm
Shelf Thickness:	18 mm
Clearance:	3.2" - 8.2 cm
Weight capacity:	32 lb - 14.4 kg
Weight:	11.1 lb - 5 kg
Shelf color:	Cherry

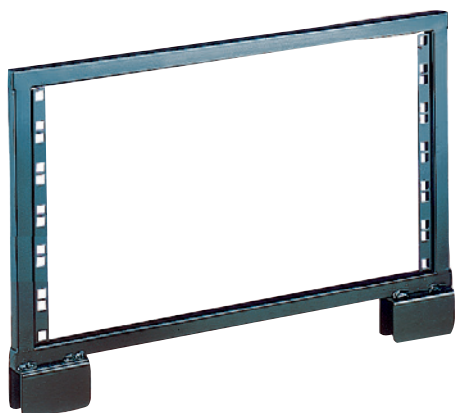


### ZM/99

- "Z" Stand Caster Kit
- Comes with 2-locking and 2 non-locking casters
- Fits most Quik-Lok "Z" stand

NOTE: Please allow for additional 2.5" (6.3 cm) to the height of stand when using ZM/99 caster kit



**ZM/91**

- 6-Space Rack Equipment Holder
- Can be mounted on top of the lower crossbar of any "Z" stand
- Can be used to hold power amps, outboard gear, tone generators / samplers or any rack mountable equipment

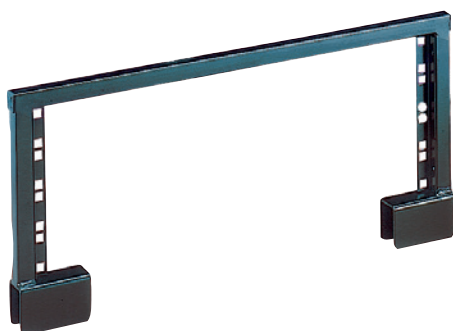
**ZM/91 AM**

Uses American 10/32 hardware

**ZM/91 EU**

Uses European 6 mm hardware

Frame Width:	20.7" - 52.5 cm
Frame Height:	12.6" - 32 cm
Weight Capacity:	120 lb - 54 kg
Weight:	4.85 lb - 2.2 kg
Color:	Black

**ZM/93**

- 4-Space Rack Equipment Holder
- Can be mounted on top of the lower crossbar of any "Z" stand
- Can be used to hold power amps, outboard gear, tone generators / samplers or any rack mountable equipment

**ZM/93 AM**

Uses American 10/32 hardware

**ZM/93 EU**

Uses European 6 mm hardware

Frame Width:	20.7" - 52.5 cm
Frame Height:	9" - 23 cm
Weight Capacity:	80 lb - 36 kg
Weight:	3.3 lb - 1.5 kg
Color:	Black

**ZM/94**

- 4-Space Rack Equipment Holder
- Same as ZM/93 rack equipment holder that mounts from underneath "Z" stands crossbar

**ZM/94 AM**

Uses American 10/32 hardware

**ZM/94 EU**

Uses European 6 mm hardware

Frame Width:	20.7" - 52.5 cm
Frame Height:	9" - 33 cm
Weight Capacity:	80 lb - 36 kg
Weight:	3.3 lb - 1.5 kg
Color:	Black

**ZM/90**

- 2-Space A/C Power Strip Holder
- Will secure virtually any rackable A/C power strip on the lower crossbar of any "Z" stand for a neater cable management

**ZM/90 AM**

Uses American 10/32 hardware

**ZM/90 EU**

Uses European 6 mm hardware

Color:	Black
--------	-------

**ZM/55**

- Add-on Lower Crossbar for Z/555
- Used to mount Z/710, Z/711, ZM/90, ZM/91, ZM/93, ZM/94 options on lower section of Z/555
- Attaches to stand frame at 13.4" (34 cm) height from floor

Weight:	5 lb - 2.4 kg
Usable width:	51.1" - 130 cm
Color:	Black

