

### EXPLANATION OF SYMBOLS

The term "**WARNING!**" indicates instructions regarding personal safety. If the instructions are not followed the result may be bodily injury or death.

The term "**CAUTION!**" indicates instructions regarding possible damage to physical equipment. If these instructions are not followed, it may result in damage to the equipment that may not be covered under the warranty.

The term "**IMPORTANT!**" indicates instructions or information that are vital to the successful completion of the procedure.

The term "**NOTE**" is used to indicate additional useful information.



The intent of the lightning flash with arrowhead symbol in a triangle is to alert the user to the presence of un-insulated "dangerous" voltage within the product's enclosure that may be of sufficient magnitude to constitute a risk of electric shock to humans.



The intent of the exclamation point within an equilateral triangle is to alert the user to the presence of important safety, and operating and maintenance instructions in this manual.



### IMPORTANT SAFETY INSTRUCTIONS



**WARNING!:** These mounting brackets shall only be used with CP Series loudspeakers. Use with other apparatus could result in instability and possible injury.

1. Read these instructions.
2. Keep these instructions.
3. Heed all warnings.
4. Follow all instructions.
5. Only use attachments/accessories specified by the manufacturer.
6. Refer all servicing to qualified service personnel. Servicing is required when the apparatus has been damaged in any way, or has been dropped.
7. Adhere to all applicable, local codes.
8. Consult a licensed, professional engineer when any doubt or questions arise regarding a physical equipment installation.
9. Before placing or installing any loudspeaker product, inspect all hardware, cabinets, transducers, brackets and associated equipment for damage. Any missing, corroded, deformed, or non-load rated component could significantly reduce the strength of the installation and should be immediately corrected. Use only hardware which is rated for the loading conditions of the installation and any possible short-term unexpected overloading. Never exceed the rating of the hardware or equipment.

### Warranty

For a copy of the QSC Limited Warranty, visit the QSC website at [www.qsc.com](http://www.qsc.com)

TD-001570-01-A



# Yoke Mounting the CP Series Loudspeakers



**WARNING!:** Read and follow these instructions carefully. If the loudspeakers are not installed properly, they could fall, causing personal injury or death, and damage to the equipment.

## Rules for Mounting

- Consult a Professional Mechanical or Structural Engineer, licensed in the jurisdiction of the sound system installation, to review, verify, and approve all attachments to the building or structure.
- Employ the services of a Professional Rigger for hoisting, positioning, and attaching the equipment to the supporting structure.
- Correct use of all mounting hardware and components is imperative in sound system installation and deployment.
- Consult local codes and regulations to fully understand the requirements for installed loads in the venue in which you will install the equipment.
- Use only the recommended yoke for installing the loudspeaker.
- Be absolutely certain of the integrity of any structural member intended to support the loudspeaker(s). Hidden structural members can have hidden structural weakness.
- Never assume anything! Owner or third-party supplied attachment points may not be adequate for installing the loudspeakers.
- Before lifting, always inspect all components (enclosures, brackets, pins, frames, bolts, nuts, etc.) for cracks, wear, deformation, corrosion, missing, loose, or damaged parts that could reduce the strength of the assembly. Discard any worn, defective, or suspect parts and replace them with new appropriately load-rated parts.

Model	Weight (kg)	Weight (lbs)
CP8	9.5	21.0
CP12	13.7	30.3

## Yoke Mounting

Each model has two yoke-mounting points, one on each end of the enclosure.

## Yoke Installation Options

Vertical and horizontal are the basic options; there are many possible positions based on the requirements of the venue. Make sure that the surface is appropriate for the size of the yoke, the weight of both the yoke and loudspeaker, and that the appropriate attaching hardware is used.

## Prepare the Yoke

Refer to Figure 1.

1. Remove the protective paper from the back of a mounting pad (1).
2. Align the slot in the pad with the slot in the yoke (2) and press the adhesive side of the pad against the inside of the yoke.
3. Repeat for the other mounting pad.



**NOTE:** The loudspeaker can be secured to the yoke using the two button-head screws or the supplied knobs. The button-head hex screws give you greater security (requires a tool to remove) or you can use the knobs for ease of removal. The two threaded inserts (4) are used for storage of the knobs or screws.

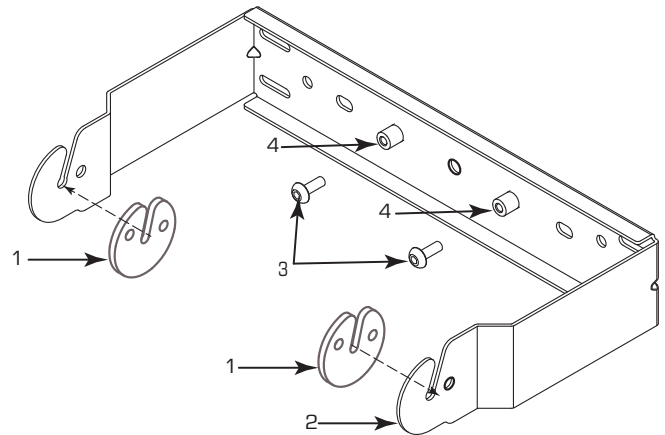


Figure 1

## Install the Yoke



**WARNING!:** Make sure that the installation adheres to all applicable code and regulations. Consult a licensed, professional engineer when any doubt or questions arise regarding a physical equipment installation.

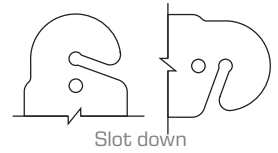
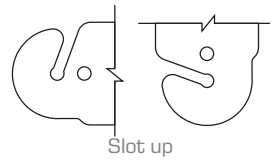


Figure 2

Install the yoke assembly on the desired surface. If possible mount the yoke with the open end of the slot pointing up as shown in Figure 2. Attaching hardware is not included.

## Prepare the Loudspeaker

Refer to Figure 3

1. Use a Phillips screwdriver to remove two screws (1) from the pole-cup bracket (2). The screws are beside the QSC Logo,
2. Use the screws (1) you just removed to secure the tether bracket (3) to the pole-cup bracket. You can install the tether bracket one of two ways (3a or 3b). The tether bracket can only be installed on the bottom of the loudspeaker in the location shown in Figure 3.
3. Torque these two screws to 18 Kgf-cm (16 In-Lbs).
4. Thread either the button-head hex screw (4a), or the knob (4b), into the yoke-mounting threaded insert. Repeat for the top of the loudspeaker. Leave enough room on the small shaft of the screw (or knob) to allow for the thickness of the yoke.

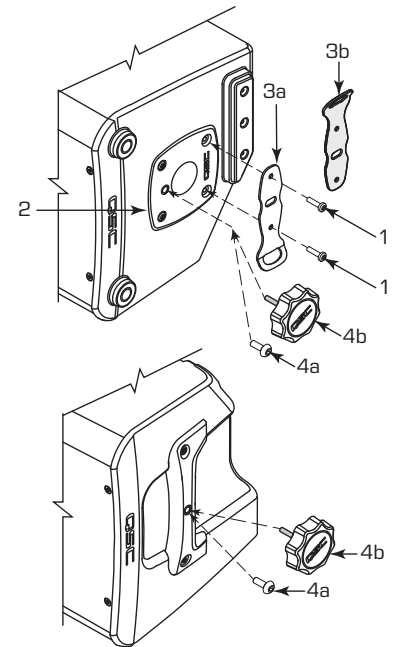


Figure 3



**NOTE:** The following procedures assume that the yoke is properly installed.



**WARNING!:** Use two people to perform the following procedures.

## Assemble the Loudspeaker and Yoke

### Use the Slots to Mount the Loudspeaker

You can mount the loudspeaker using the button-head hex screw or the knob. Both of these are shoulder screws that help with the mounting process. Figure 4 shows the function of the shoulder screws in the slots. The loudspeaker is not shown.

1. Make sure the yoke is properly mounted to the desired surface and that the adhesive pads are installed.
2. Make sure the button-head hex screws or the knobs are threaded into the loudspeaker's yoke mounting points.
3. Lift the loudspeaker and align the screws / knobs with the slots in the yoke.
4. Slide the narrow shaft of the screws into the slot (1) and all the way to the bottom of the slot. The shoulder part of the screw will not fit in the slot.
5. With the screws all the way down into the slots, turn the knob or button-head hex screw until the shoulder is engaged into the slot. When the shoulder is engaged (2), the screw will not slide back up the slot.
6. Position the loudspeaker at the desired angle (Figure 5) then do one of the following:
  - Tighten both knobs tight enough to keep the loudspeaker in the desired position.

OR

- Use a 6 mm hex key to tighten both button-head hex screws tight enough to keep the loudspeaker in the desired position.

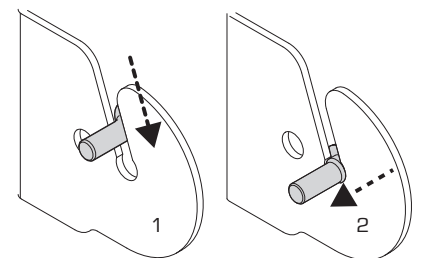


Figure 4

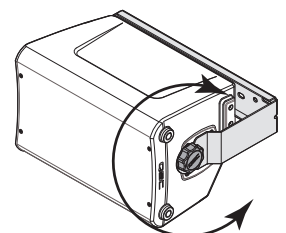


Figure 5

## Use the Single Hole to Mount the Loudspeaker

This method gives you about 0.6 in. (15.25 mm) shorter distance from the mounting surface to the front of the loudspeaker.

Do not install the screws/knobs until the loudspeaker yoke mounting points are aligned with the holes in the yoke.

Refer to Figure 6.

1. Make sure the yoke is properly mounted to the desired surface and that the adhesive pads are installed.
2. Make sure the button-head hex screws or the knobs are not threaded into the loudspeaker.
3. Lift the loudspeaker and align the loudspeaker's yoke-mounting points with the single holes in the yoke arms.
4. Insert either the button-head hex screw or knob through the hole in the yoke and thread it into the loudspeaker yoke-mounting point.
5. Repeat for the other end of the loudspeaker.
6. Tighten enough to keep the loudspeaker at the desired angle.

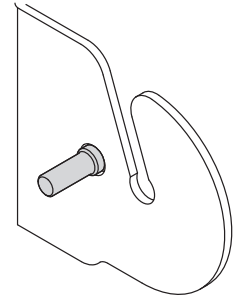


Figure 6

## Tether the Loudspeaker

Refer to Figure 7.

Refer to local codes and requirements for tethering.

Use an appropriate cable (1) attached to the loudspeaker's tether bracket (2) and to a structural part of the venue. Use appropriate hardware to attach the tether cable to the structure.

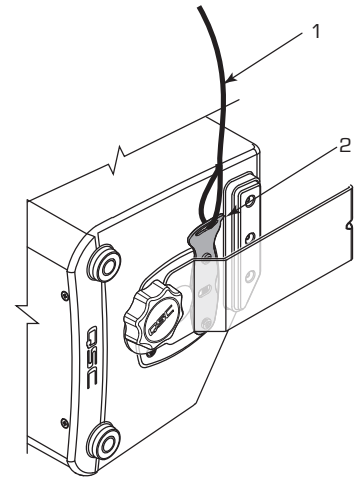


Figure 7



## Contact QSC

### QSC, LLC

1675 MacArthur Boulevard  
Costa Mesa, CA 1468-92626 USA

Main Number: 1.714.754.6175+  
Toll Free 800.854.4079  
(US Only)  
Website: [www.qsc.com](http://www.qsc.com)

### Sales and Marketing:

1.714.957.7100+ or  
toll free (USA only) 800.854.4079  
FAX: 1.714.754.6174+  
E-mail: [info@qsc.com](mailto:info@qsc.com)

### Customer Service

1.714.957.7150+ or  
toll free (USA only) 800.772.2834  
FAX: 1.714.754.6173+  
E-mail: [service@qsc.com](mailto:service@qsc.com)

© 2018 QSC, LLC. All rights reserved. QSC and the QSC logo are registered trademarks of QSC, LLC in the U.S. Patent and Trademark office and other countries. All other trademarks are the property of their respective owners.

<http://patents.qsc.com>.