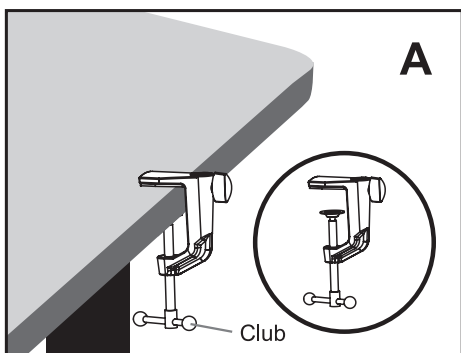


MA601 Broadcasting & Recording Stand

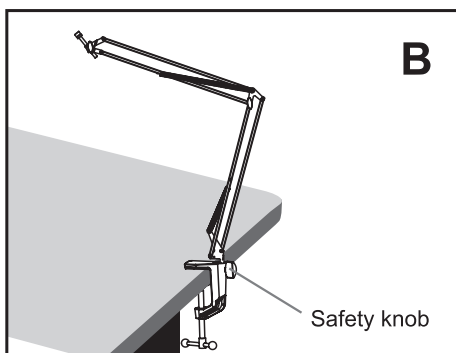
GENERAL INTRODUCTION

MA601 is a delicate bracket stand, its flexible function makes product space saving. The tube makes of metal which is stable and durable. The stand comes with 5m dual XLR cable that crossing over the tube, beautiful and concise. Between the brackets two springs are used for supporting and positioning, flexible and stable and the max bearing weight is about 1kg. The bracket stand's tilt range id from 0 degree to 160 degree, until get an ideal angle. It also comes with clam which used for locking the stand on the desk. It applies in broadcasting, TV show, studio, personal recording such occasions. Easy to installation and use, the MA601 is safe and reliable.

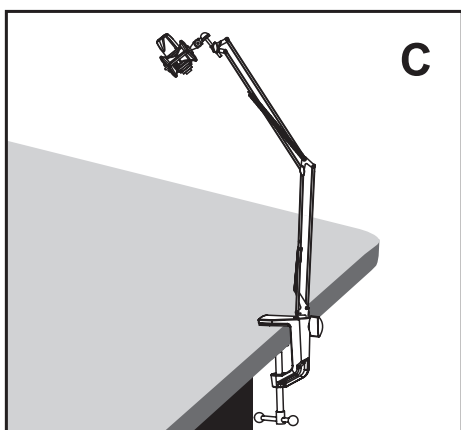
INSTALLATION INSTRUCTIONS



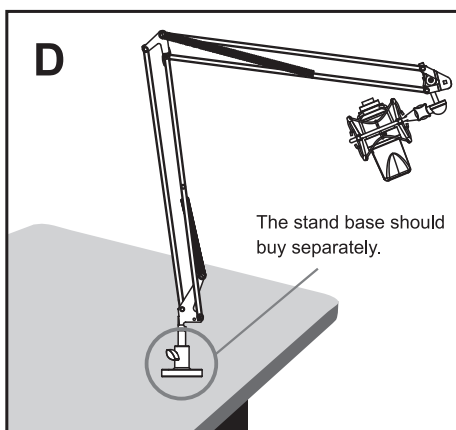
First, fixing the clamp on the desk by rotating the clam.



Second, inserting the stand into clamp and lock it by safety knob.

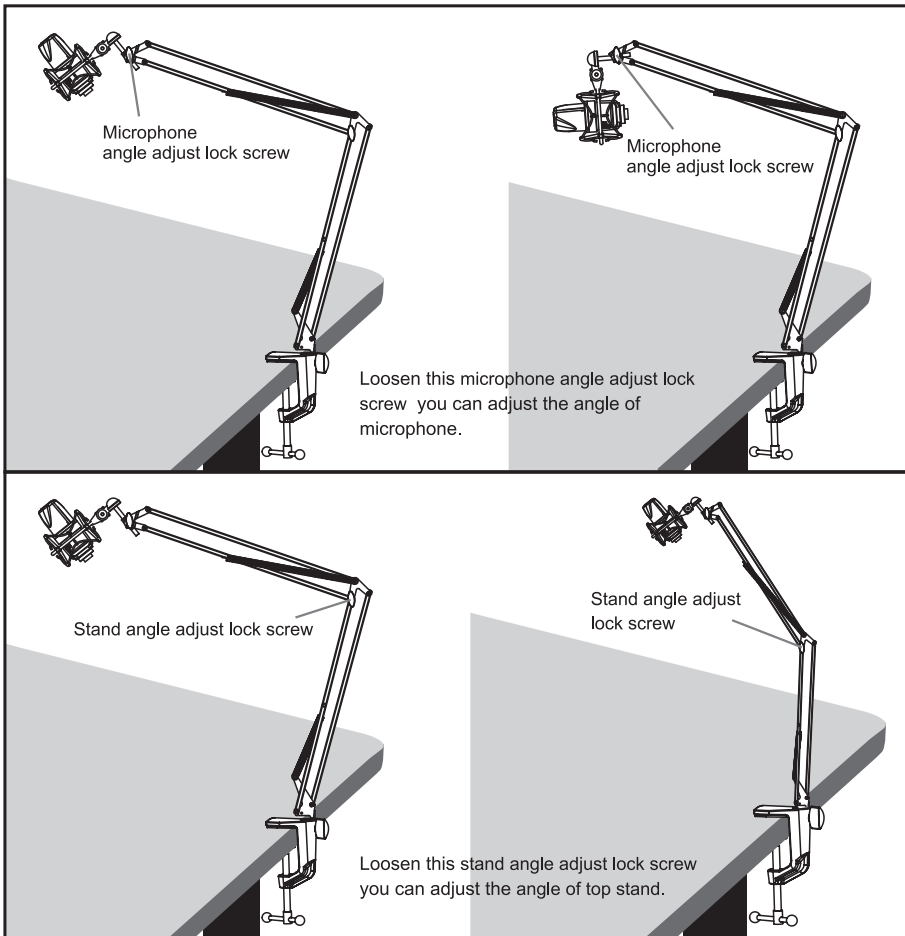


Third, switching shock mount and microphone.



If you do not like clamp, you also can use stand base, using 3 thumbscrews to fix the stand on the desk.

PRODUCT APPLICATION



After finish above steps, you can begin to recording. If you still unsatisfied with the position, you can according to the above steps readjust the position, until you get your satisfied position.

FEATURES

- * All metal construction, black powder-coat paint;
- * Professional broadcasting stand;
- * Stretch out and draw back freely.

SPECIFICATION

- * Top stand length: 530mm
- * Bottom stand length: 470mm
- * Max bearing weight: 1kg
- * Clamp clamping desk thickness: 1-55mm
- * Gross weight: 1800g

Copyright © Ningbo Alctron Electronic Technology CO.,LTD. All rights reserved. Specifications and appearance subject to change without notice.

Ningbo Alctron Electronic Technology CO.,LTD.

No.76 SanCheng Road, XiuFeng Industrial Area,GaoQiao Town, NingBo, China.

Tel:+86 574 87150672

Fax:+86 574 87157176

E-mail:info@alctron-audio.com

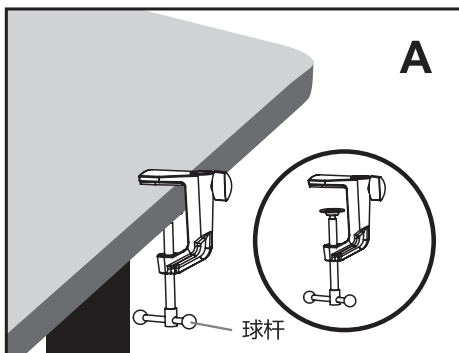
www.alctron-audio.com

MA601播音&录音支架

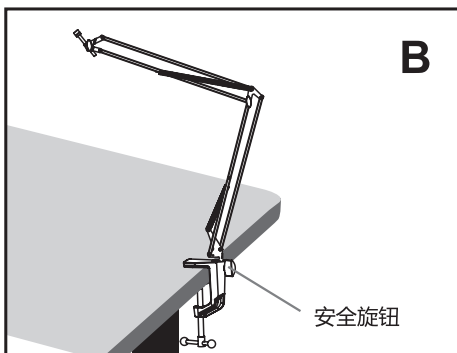
产品介绍

MA601是一款设计精巧的悬臂支架，可折叠收起，节约空间便于携带，支架采用优质金属方管设计加工而成，坚固耐用。支架配有5米双卡侬音频线，线材用支架方管中穿过，整体简洁美观。支臂之间采用两组强有力的弹簧进行支撑定位，调节自如，悬挂稳定，挂载质量约1KG。支架悬臂可以在0°到160°之间改变方向，可以调节到理想的角度进行工作。支架配有一个结实的桌面锁紧夹块，能将支架牢固的锁定在桌子边缘。MA601支架适合应用在广播电台、电视台、录音棚、个人录音等场合，安装方便快捷，使用简单，安全可靠。

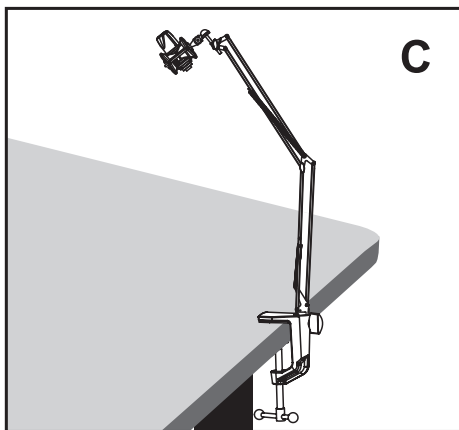
安装说明



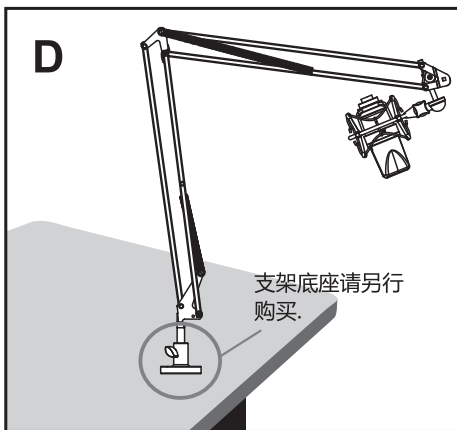
首先通过旋转球杆将夹块固定在桌子上。



其次将支架插入夹块随后用安全旋钮锁紧。

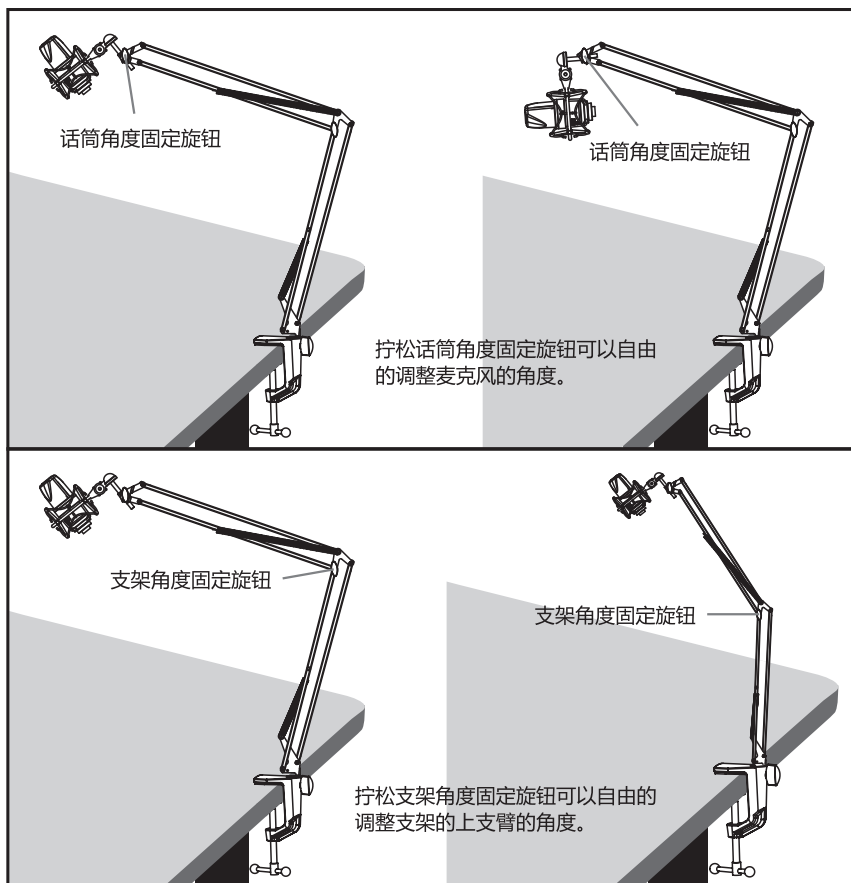


然后旋入防震架和麦克风即可。



如您不喜欢夹块也可将夹块换成支架底座，用三颗螺丝固定在桌上即可。

产品应用



完成上述步骤后，您就可以开始录音了，如果您对这个位置不满意，您可以按照上述步骤再调整一下，直到调整到您想要的效果为止。

特征

- * 全金属构造，表面黑色喷塑处理；
- * 专业播音支架；
- * 伸缩自如。

产品参数

- | | |
|---------------|--------------------|
| * 上支臂长： 530mm | * 夹块可夹桌面厚度： 1-55mm |
| * 下支臂长： 470mm | * 毛重： 1800g |
| * 最大承重： 1kg | |

版权所有©宁波奥创电子科技有限公司,所有权保留。必要的技术数据和外观更改恕不另行通知。

宁波奥创电子科技有限公司

地址：浙江省宁波市鄞州区秀丰工业区三成路76号

电话：+86 574 88009874

传真：0574-87157176

邮箱：sales@alctrion-audio.com

网址：<http://www.alctrion-audio.com>

全国统一服务热线：4000-160-112