

Sound Projector
HS121

AUDAC

PROFESSIONAL AUDIO EQUIPMENT

Polyvalent sound projector HS121

User Manual & Installation Guide

AUDAC PROFESSIONAL AUDIO EQUIPMENT

User Manual & Installation Guide

© AUDAC
<http://www.audac.be>
info@audac.be

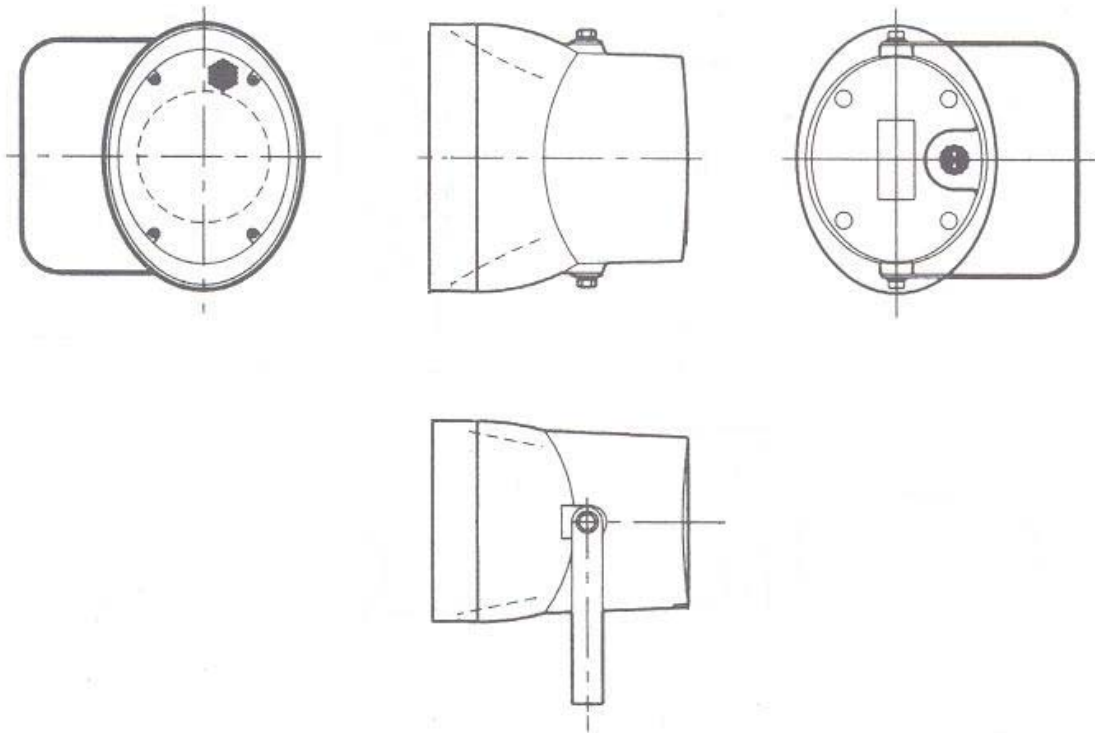
Warning

- Only use the correct amplifier output voltage and impedance, exceeding these limits could cause fire or other failures.
- Avoid explosions: do not use the speaker around gasoline, thinner or other combustibles.
- Only install the speaker in locations that can structurally support the weight of the speaker and the mounting bracket. Not doing this may result in the speaker falling down.
- Do not use any other method than specified to mount the bracket. If extreme force is applied to the speaker, it could fall down.
- Attach a safety wire to the speaker when it is mounted high above the ground. Failure in doing so could cause the speaker to fall down for any reason.
- Use fixing materials that are appropriate for the ceiling's or wall's structure and composition. Failure in doing so may cause the speaker to fall down.
- Tighten each nut and bolt securely. Prevent accidents: ensure that the bracket has no loose elements after installation.
- Avoid mounting the speaker in locations exposed to constant vibrations. The mounting bracket can be damaged by excessive vibration, potentially causing the speaker to fall down.

Caution

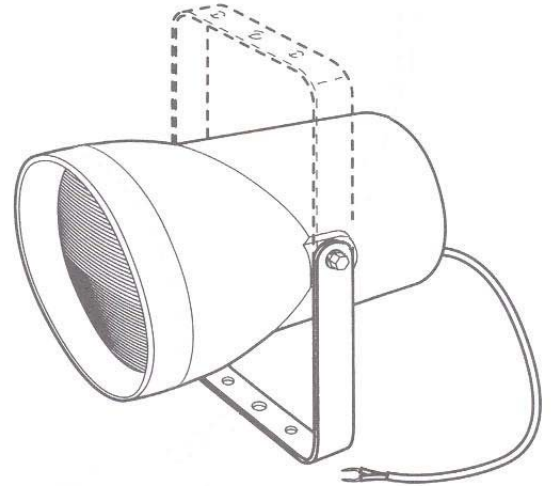
- Avoid electric shocks: switch off the amplifier power when connecting the speaker.
- Avoid installing the speaker in locations exposed to solvents, acids, smoke and heaters, as excessive exposure to these factors could result in speaker failure, fire or electric shock.
- Do not operate the speaker for an extended period of time at distorted sound. This could cause (irreparable) damage to the speaker.
- Do not stand or sit on, nor hang down from the speaker as this may cause it to fall down or drop.

Appearance



Installation

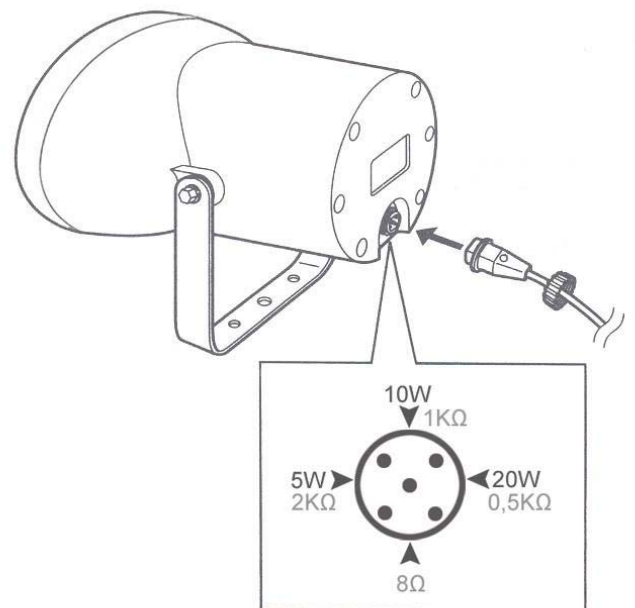
- The speaker has to be pointed downwards. Otherwise, rain can flood into the speaker, causing functional problems.
- Install the speaker in an appropriate location with the mounting bracket. Tighten them with nuts and bolts.
- To adjust the directivity of the speaker, you loosen two bolts at the sides of it and then position it. Afterwards tighten the bolts firmly.



Connections

Impedance

- Plug the speaker cable into the socket at the rear side of the speaker, make sure to match the impedance. Align the marker on the plug with the print on the speaker to choose the required impedance.
- Secure the plug by tightening the ring. This will also prevent entry of water.



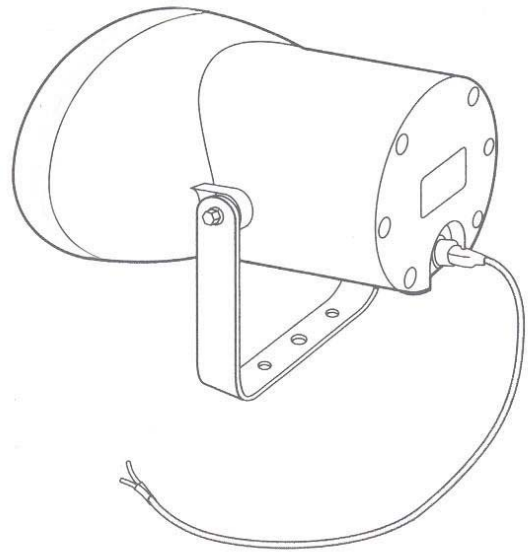
Cable

- Be sure to use the following polarities when using several speakers in the same location.

White : Negative or common

Black : Positive

- The total rated input of all connected speakers may not exceed the amplifiers output.



Specifications

Max. Power	40 Watt
Nominal Power	20 Watt
Sensitivity (1W / 1m)	96 dB
Max. SPL (20W / 1m)	109 dB
Line Transformer power taps	20 Watt / 500 Ω 10 Watt / 1000 Ω 5 Watt / 2000 Ω
Impedance	8 Ohm
Frequency Range (-10 dB)	150Hz - 15 kHz
Frequency Response (\pm 3dB)	180Hz - 13 kHz
Dimensions (W x H x D)	220 x 160 x 250 mm
Weight	1.9 Kg
Mounting	Stainless Steel Bracket Stainless Steel screws