
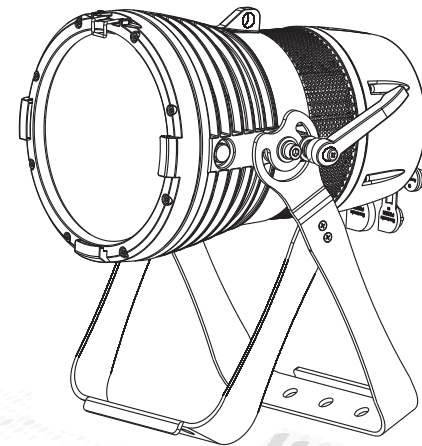


# AURORA 150 TW

## USER MANUAL

 <sup>®</sup> AURORA 150 TW  
SS820



**MODEL:SS820TWM**



广州市雅江光电设备有限公司

Guangzhou Yajiang Photoelectric Equipment Ltd.

电话/Tel : 020-86947788 邮箱/E-mail : sales@yajiang.cn

传真/Fax : 020-86943773 网址/Website : www.yajiang.cn

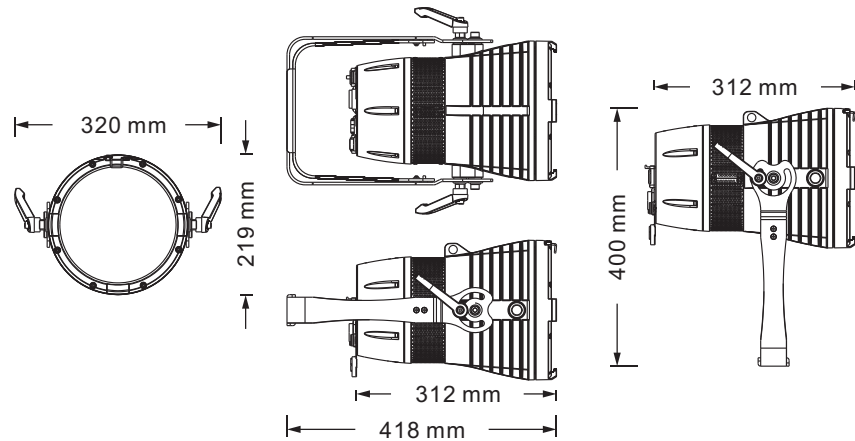
— Since 1985 —

RD-SS820-SM-01(SS-1)

# 1 Product specifications

## 1.1 Technical specifications

Product Code	SS820TWM
Dimenson	320 × 418 × 219(mm)
Weight	6.5KG
Rated Power	143W
Input Voltage	AC100~240V
Frequency Range	50/60Hz
Ambient Temperature	-20°C~45°C
Beam angle	16° /25°
Control Model	DMX512/RDM



# 4 Using a DMX512 Controller

## 4.1 Channel Assignment

Note: this product have DMX512 channel configuration: [ UNO ]、[ DOS ]、[ VW.D ]、[ VW.F ]、[ STD.P ]。

UNO	DOS	VW.D	VW.F	STD.P	Value	Function
CH.1	CH.1	CH.1	CH.1	CH.1	0-255	DIMMER
	CH.2		CH.2	CH.2	0-255	DIMMER FINE
		CH.2	CH.3	CH.3	0-255	WHITE
			CH.4	CH.4	0-255	WHITE FINE
		CH.3	CH.5	CH.5	0-255	COOL
			CH.6	CH.6	0-255	COOL FINE
				CH.7	CCT	
					0-010	NO FUNCTION
					11-35	2700K
					36-60	3000K
					61-85	3200K
					86-110	3400K
					111-135	3600K
					136-160	3800K
					161-185	4000K
					186-210	4200K
				211-235	ALL LED	
				236-255	NO FUNCTION	
				CH.8	Effect of center STROBE	
					000-009	NO FUNCTION
					010-099	STROBE FROM ( SLOW TO FAST , 0-25Hz )
					100-109	NO FUNCTION
					110-179	LIGHTNING STROBE
					180-189	NO FUNCTION
					190-255	RANDOM STROBE

## 1.2 Safety warning

### IMPORTANT

Always read the user manual before operation.

Please confirm that the power supply stated on the product is the same as the mains power supply in your area.

- This product must be installed by a qualified professional.
- Always operate the equipment as described in the user manual.
- A minimum distance of 0.5m must be maintained between the equipment and combustible surface.
- The product must always be placed in a well ventilated area.
- Always make sure that the equipment is installed securely.
- Do not stand close to the equipment and stare directly into the LED light source.
- Always disconnect the power supply before attempting and maintenance.
- Always make sure that the supporting structure is solid and can support the combined weight of the products.
- The earth wire must always be connected to the ground.
- Do not touch the power cables if your hands are wet.

### ATTENTION



- This product left the place of manufacture in perfect condition. In order to maintain this condition and for safe operation, the user must always follow the instructions and safety warnings described in this user manual.
- Avoid shaking or strong impacts to any part of the equipment.
- Make sure that all parts of the equipment are kept clean and free of dust.
- Always make sure that the power connections are connected correct and secure.
- If there is any malfunction of the equipment, contact your distributor immediately.
- When transferring the product, it is advisable to use the original packaging in which the product left the factory.
- Shields, lenses or ultraviolet screens shall be changed if they have become damaged to such an extent that their effectiveness is impaired.
- The lamp (LED) shall be changed if it has become damaged or thermally deformed.



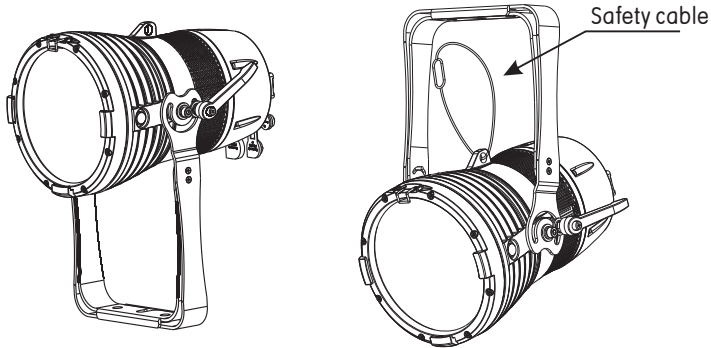
**Caution, risk of electric shock**  
The light source contained in this luminaire shall only be replaced by the manufacturer or his service agent or a similar qualified person.

## 2 Installation

### 2.1 Mounting

The fixture can be mounted in any position.  
Always ensure that mounting surface can withstand 10 times the weight of the fixture.

Always use a safety cable when mounting the fixture in any elevated position.

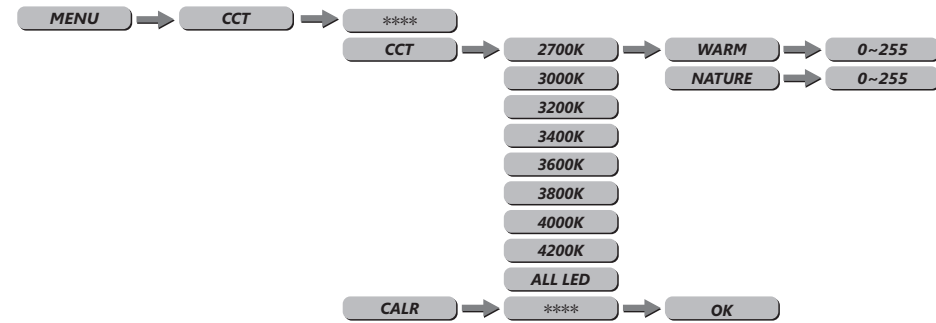


**UPRIGHT**

**HANGING**

- Important safety note!!
- Always use safety cable when installing this unit!!
- Be sure that the safety cable is connected to a solid load-bearing structure.

### 3.10 CALIB.CCT



- Enter the 【 CALIB.CCT 】 to select white color of different color temperature.
- Press 【 MENU 】 button to enter the password confirmation, to enter the correct password < UP + DOWN + UP + DOWN > Key, press the 【 MENU 】 in, the correct password will enter show submenu.
- Select 【 CALR 】 press enter, input password<UP+DOWN+UP+DOWN>, if your password correct there will restore default factory Settings.

## 3.8 ACTIVATE THE PASSWORD



- Enter the [ KEY ] mode to select whether the access password is on or off. When the fixture is set as PASS"ON", after 30 seconds or turn on the fixture next time, the fixture will need an access password to enter the display menu control.

Note: The factory access password is "UP+DOWN+UP+DOWN", then press ENTER to confirm the access.

## 3.9 INFO



- Press [ ENTER ] into [ INFO ] check information, press up and down
- [ VERSION ] is software versions.  
[ RDM ] check fixture's ID.

## 2.2 Power connections

This product uses input and output power cable is 1.5 square mm copper wire  
Note:

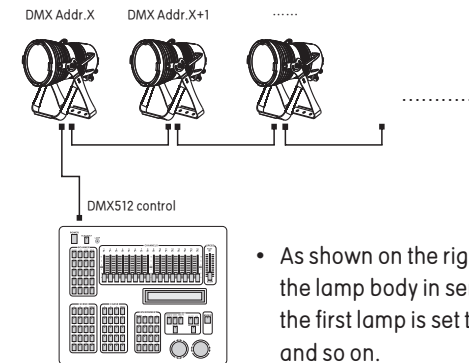
If the signal cable is over 60m between the DMX512 controller and fixture or between two fixtures, then a DMX signal amplifier is needed as well.

## 2.3 The control station setting of connecting DMX512

The DMX console and the lamp body are connected in series.

Because the Std.P MODE is five channels, the address code of the lamp increases by 5 times such as (1, 6, 11, 16...), also each it can be reused as needed.

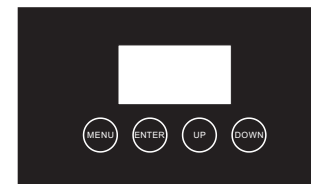
The DMX address code can be any value between 001 and 512.



- As shown on the right, the controller is connected to the lamp body in series, the DMX address code for the first lamp is set to 1, and second unit is set to 6, and so on.

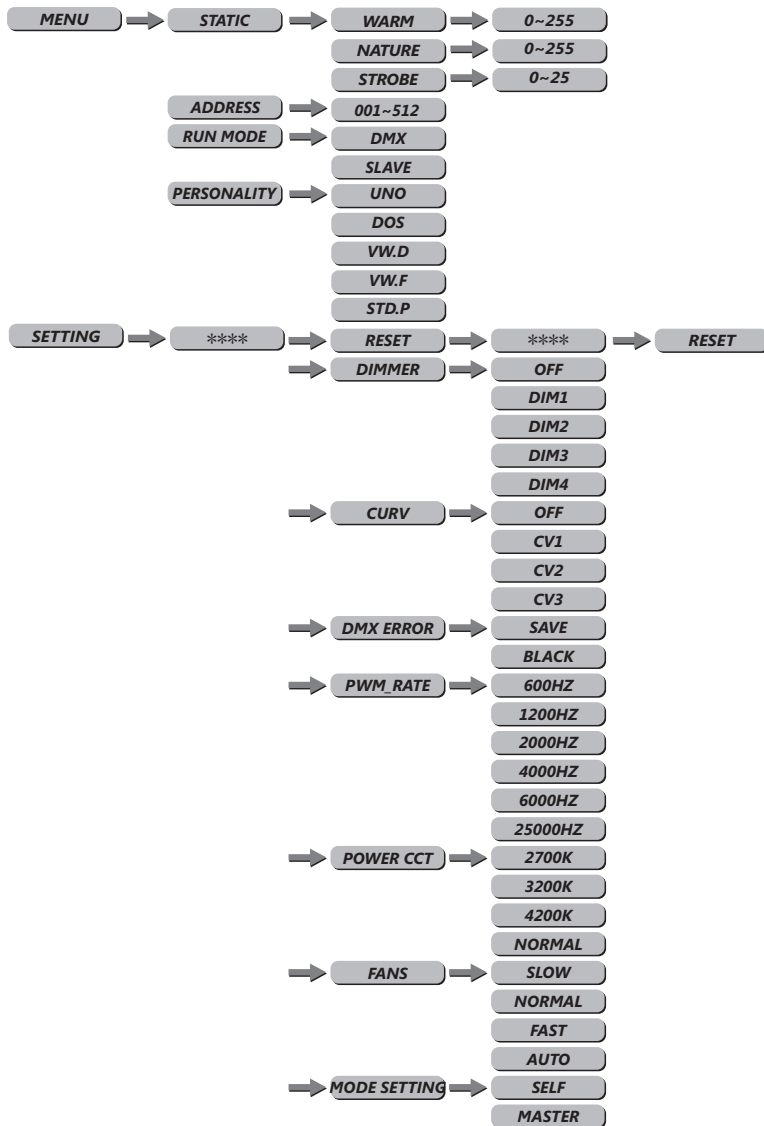
# 3 Display panel operation

## 3.1 Display operation

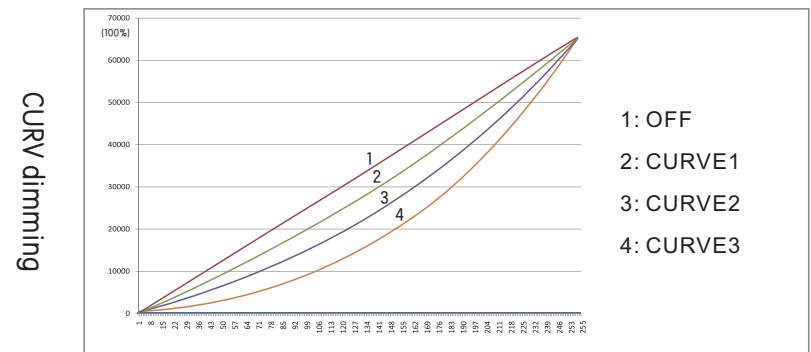


- MENU: Menu/Back.
- ENTER: Save
- UP: Direction up
- DOWN: Direction down

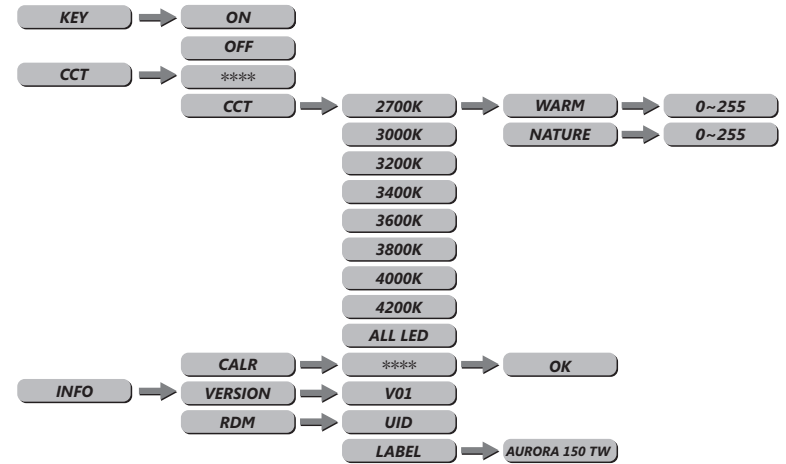
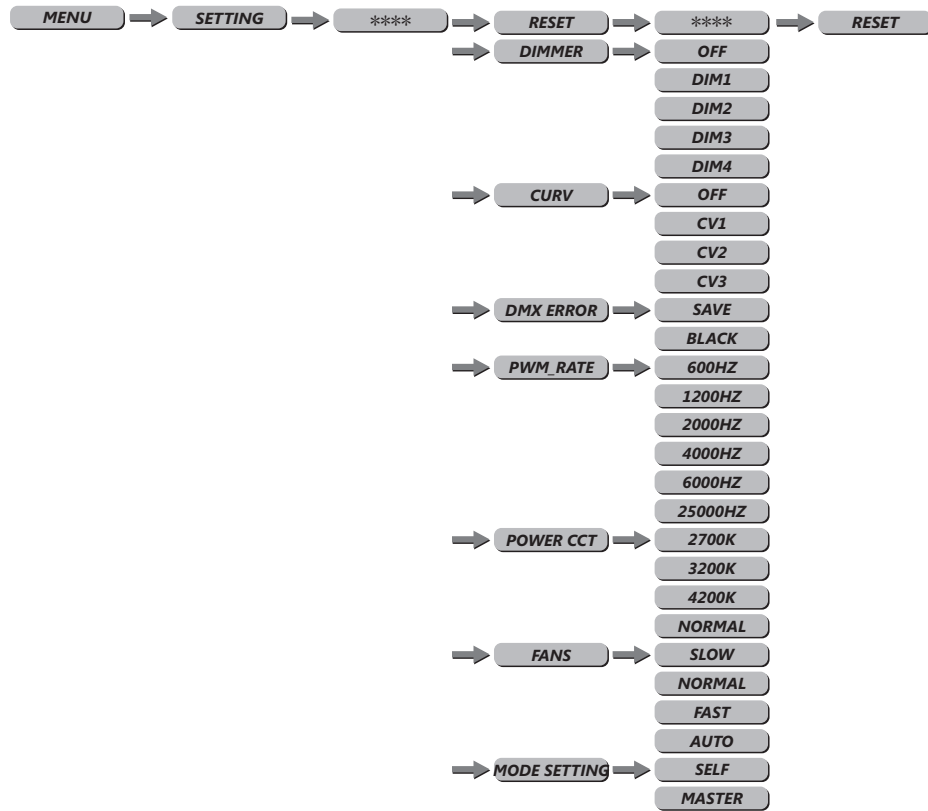
## 3.2 Menu



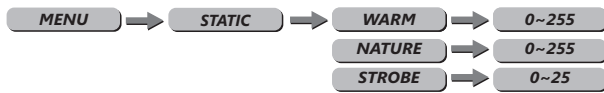
- 【 SETTING 】 ...this menu allows the user to adjust key operation settings for this fixture.
- 【 RESET 】 RESET the lamp. Enter the password "up down up down " to confirm, and then perform the RESET of the lamp parameters.
- 【 DIMMER 】 is a non-linear DIMMER speed setting, <OFF> is a normal linear dimming, Select [DIM1]、 [DIM2]、 [DIM3] or [DIM4] for different dimming speeds. ([DIM4] is the slowest dimming speed).
- 【 CURV 】 allows the user to adjust the shape of the dimming curve. See the CURV chart to Understand more about actual dimming curves.
- 【 DMX ERROR 】 Choose[SAVE] in order to save the last DMX data incase of DMX signal error.Choose[BLACK] in order to blackout in case of DMX signal error.
- 【 PWM\_RATE 】 is PWM refresh rate bottom, press UP/DOWN to choose <600Hz>、 <1200Hz>、 <2000Hz>、 <4000Hz>、 <6000Hz>、 <25000Hz>. Note: Attention: The gray level of dimming will be reduced as the refresh rate increases.
- 【 POWER CCT 】 is the color temperature choose bottom, press UP/DOWN to choose, under full power, 2700K~4200K、 ALL LED.
- 【 FANS 】 menu, select<Slow/Norm/Fast/Auto>as required fan speed.
- 【 MODE SETTING 】 ...this function allows the user to select whether the fixture will send DMX data to other fixtures during stand-alone operation. The [MAST] setting allows data to be sent to Other fixtures. The [SELF] setting is default and will not send DMX data to other fixtures.



### 3.7 SETTING



### 3.3 STATIC



- Enter the [ STATIC ] mode to create the programs
- Combine WARM/NATURE/STROBE to create a definite range of colors .Push up and down buttons adjust 0~255 value.Set value of the STROBE,Push up and down buttons adjust 0~25Hz value
- The static setting will be valid when the fixture is powered again.
- Note:  
When using this function, if the [MODE SETTING] menu is set as [MASTER], then the fixture will transfer the [DIM] values to other fixtures. When DMX data is received at the fixture, it will automatically return to main menu after 2 minutes of no key operation.

### 3.4 DMX Address Setting



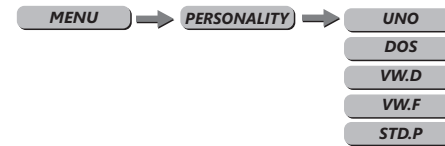
- Enter the [ DMX ] mode to set the DMX address.
- Enter Up/Down select [ 1~512 ] address.
- Enter [ MENU ] return.

### 3.5 RUNMODE



- [ RUNMODE ] menu, select required run mode, there are any modes inside: [ DMX ] DMX mode, [ SLAVE ] SLAVE mode, press Down/Up select mode.
- [ DMX ] mode is for using the DMX512 controller to control the fixtures.
- [ SLAVE ] mode is for Master -- Slave operation.
- press [ ENTER ] accept, press [ MENU ] return.

### 3.6 PERSONALITY



- Press enter the menu to do a custom choice on the 'PERSONALITY' menu.
- Press UP or DOWN to select [ UNO ]、[ DOS ]、[ VW.D ]、[ VW.F ]、[ STD.P ], please refer to DMX channel table for the specific channel value .