



## OWB-1G Quick Start

This guide helps you install and use your product for the first time. For more detailed information, go to [http://www.kramerav.com/manual/On-Wall Box \(EU\)](http://www.kramerav.com/manual/On-Wall Box (EU)) or scan the QR code on the left.

### Step 1: Check what's in the box

✓ The **OWB-1G** On-wall Box

✓ 1 gang metal frame for two inserts

✓ Wall mounting kit

### Step 2: Overview

The **OWB-1G** is a white plastic wall-box for mounting two Kramer inserts or a 1 gang European wall plate. The box is mounted on the wall for applications where in-wall installation is not possible.

### Step 3: Installing the OWB-1G

To mount the **OWB-1G** to a wall or other surface, do the following:

If you want to feed the cables to the **OWB-1G** from any of the four sides, carefully break the knock-off holes where appropriate (knock-off holes are shown as gray dotted lines in the illustrations below).

Feed the cables from the rear/sides of the **OWB-1G** out through the front.

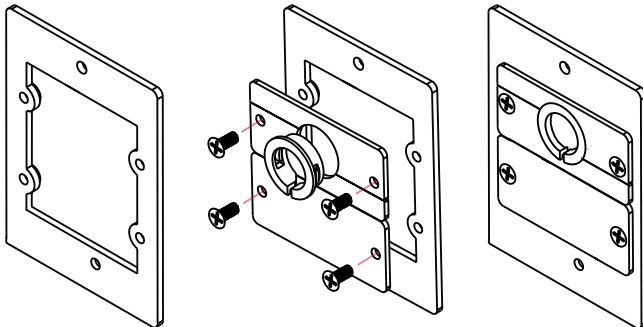
Hold the **OWB-1G** in position against the wall or surface on which it is to be mounted, taking care that the **OWB-1G** is level, and attach it using the wall mounting kit.

**You can install either two inserts or a 1 gang European wall plate.**

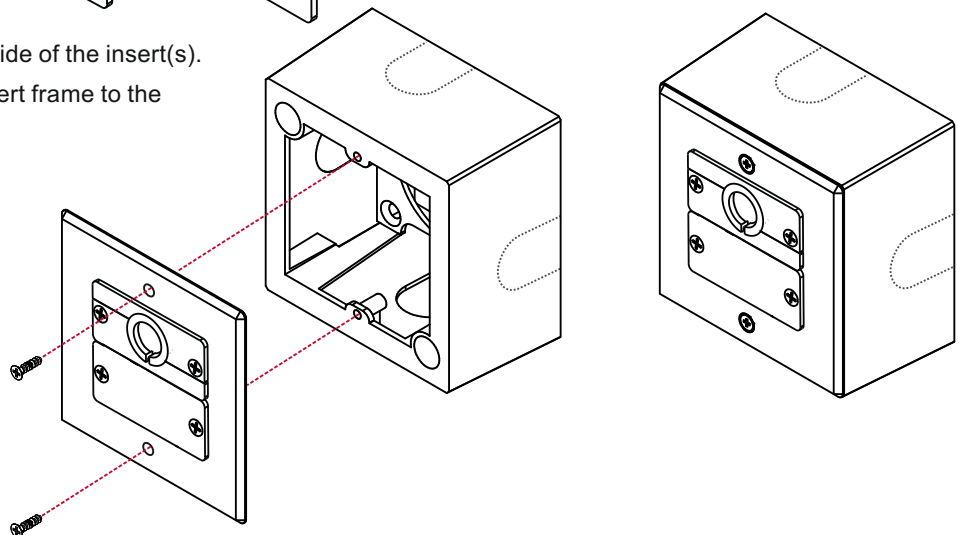
#### Installing the Inserts

To install the inserts onto the **OWB-1G**, do the following:

1. Mount the inserts onto the supplied metal frame (inserts are **not included** and can be purchased separately).



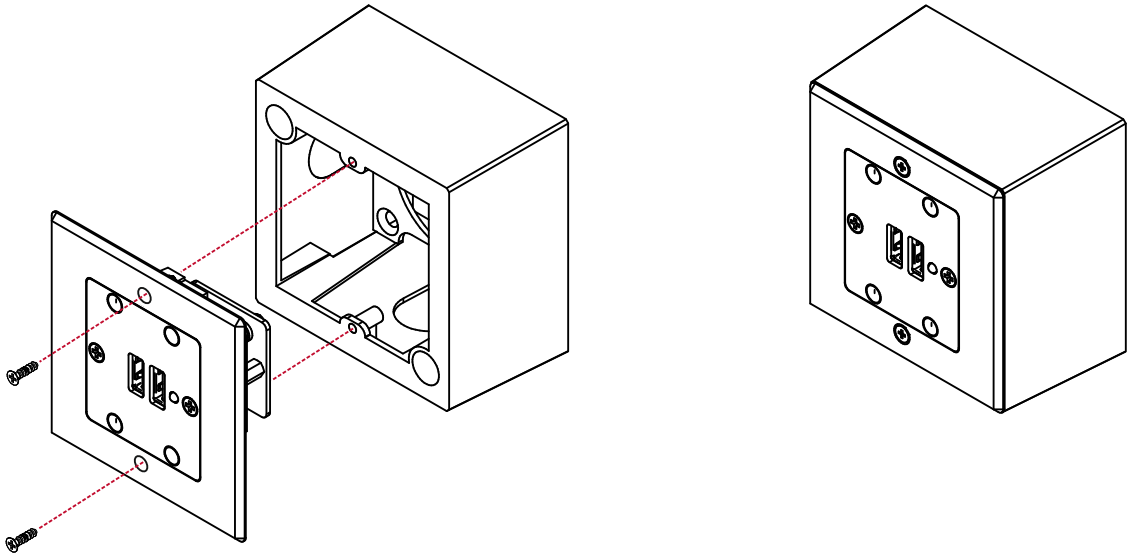
2. Connect the cable ports to the rear side of the insert(s).
3. Use 2 screws to attach the metal insert frame to the **OWB-1G**.



---

To mount a wall plate onto the **OWB-1G**, do the following:

1. Connect the cables to the relevant connections on the wall plate.
2. Remove the 2 screws securing the face plate of the wall plate.
3. Insert the wall plate (with the face plate) into the **OWB-1G**.
4. Secure the wall plate with the 2 screws to the **OWB-1G**.



---

## Specifications

DIMENSIONS:	8.4cm x 4.1cm x 8.4cm (3.31" x 1.61" x 3.31"), W, D, H
WEIGHT:	0.05kg (0.11lbs) approx.
INCLUDED ACCESSORIES:	1 gang metal frame with two 3x12 flat-head screws Wall Mounting Kit (two each of: flat washers, plug anchors size 6 and #8x1.5 pan-head on-wall-box screws)
OPTIONS:	Kramer inserts and 1 gang European wall plates