

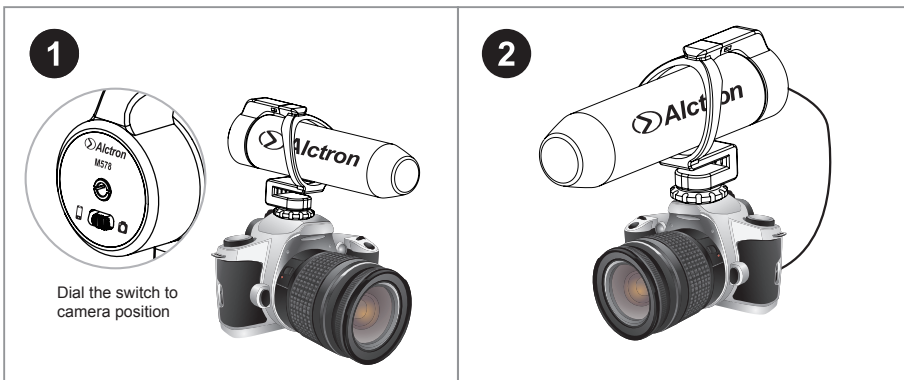
## M578 CAMERA/PHONE MIC

### GENERAL DESCRIPTION

M578 is a compact and lightweight mic used in cameras/phones/tablet. It delivers clear, crisp with incredible ease of use. Via camera/phone button chooses the proper condition according to your own requirements. Its cardioids pickup focuses directly in front of the mic and reduces other surrounding sounds. It features an integrated shock mount for isolation from bumps and vibration.

### INSTALLATION

Camera



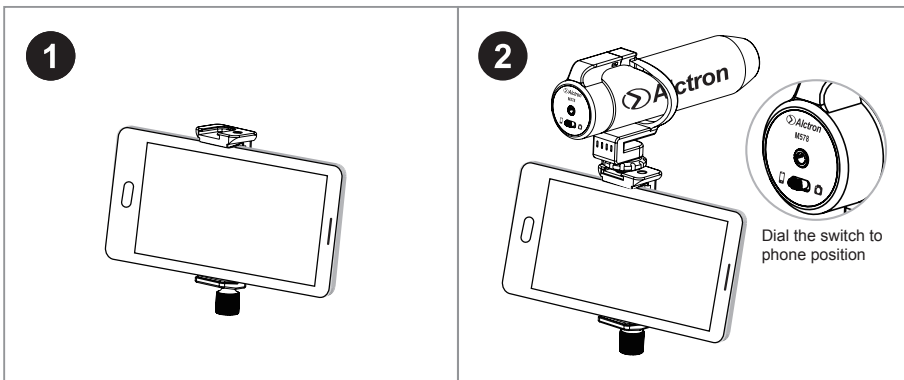
Dial the switch to camera position

Inserts the mic into camera shoe then lock it.

Connects the mic and camera via 3.5mm cable, beginning to recording.

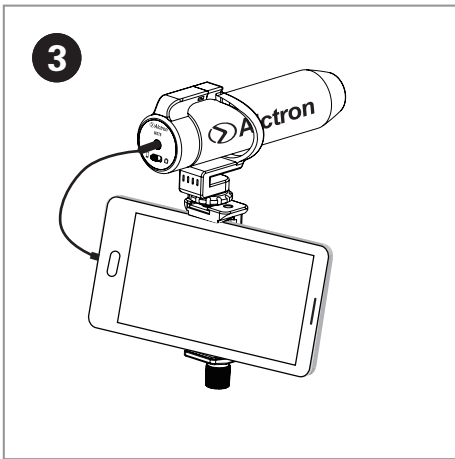
When choice the camera to recording, you can use the cable comes with mic or other 3.5mm TRS cable.

Phone



Firstly, inserts the phone into phone clamp(clamp with camera shoe).

Secondly, inserts the mic into camera shoe then lock it.

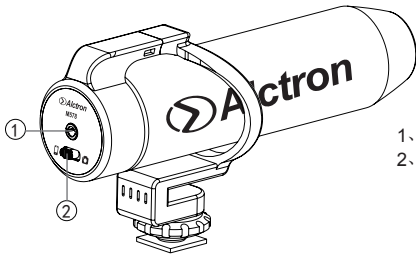


Finally, connects the phone and mic via 3.5mm cable, beginning to recording.

**When choice the phone to recording, you should use the specific 4-pin 3.5mm cable that comes with our mic. Other 3-pin 3.5mm cable cannot use here.**

**NOTE: this mic only applies in android phone. Except the mic,connection cable, all the accessories should buy separately.**

## FEATERS INTRODUCTION



- 1、 3.5mm connector, designed to connect phone/camera and mic.
- 2、 Camera/phone: recording method choose switch. Dial to camera position, chooses the camera as recording channel; dial to phone position, chooses the phone as recording channel.

## TECHNICAL SPECIFICATIONS

* Type:	condenser microphone
* Capsule:	16mm back eletret diaphragm capsule
* Polar pattern :	Cardioid
* Frequency response:	20Hz-18KHz
* Sensitivity:	-38dB
* Max SPL:	136dB
* S/N ratio:	68dB
* Connector:	3.5mm connector

Copyright © Ningbo Alctron Electronics Technology CO.,LTD. All rights reserved. Specifications and appearance subject to change without notice.

Ningbo Alctron Electronics Technology CO.,LTD.  
 No.76 SanCheng Road, XiuFeng Industrial Area,GaoQiao Town, NingBo, China.  
 Tel:+0086 574 87150672  
 Fax:+86 574 87157176  
 E-mail:info@alctron-audio.com  
 www.alctron-audio.com

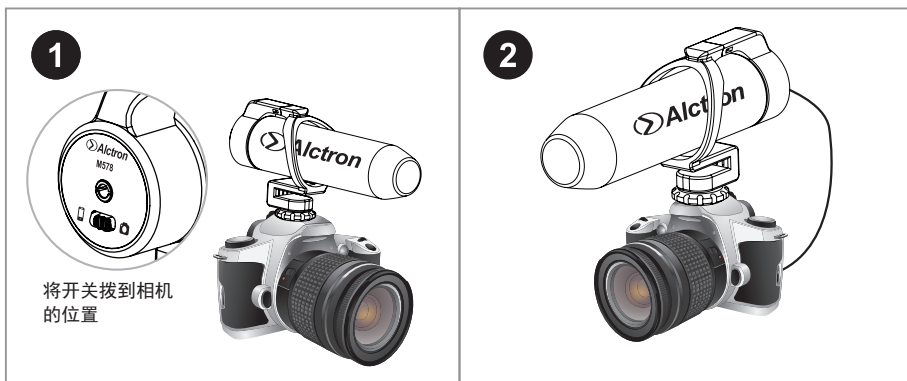
## M578 相机/手机麦克风

### 产品介绍

M578 是一款结构紧凑，整体轻巧，适用于相机/手机/平板的麦克风。此麦克风时刻传递着一种清脆悦耳舒适的音质。通过相机/手机选择开关，根据您自己的需求选择合适的录音方式。其心型指向性收音设计，能减低旁边及后方的噪声干扰，提供更好的隔离确保麦克风在拾音的时候更加自然有针对性。配有专业的防震支架，在一定程度上减小了麦克风录音时带来的机械噪音。

### 安装

#### 相机



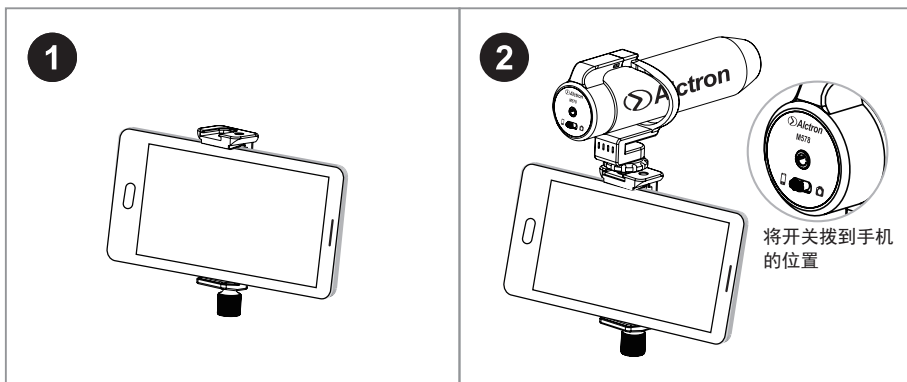
将开关拨到相机的位置

将话筒插入热靴装置并且锁紧。

用3.5mm的线连接话筒和相机，即可开始录音。

当您选择用相机录音时，您可以用我们配送的连接线也可以用其他3.5mmTRS连接线。

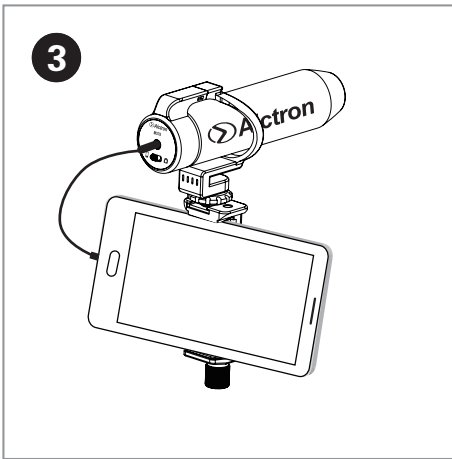
#### 手机



将开关拨到手机的位置

首先将手机放入带有热靴装置的手机夹块。

其次将话筒插入热靴装置并且锁紧。

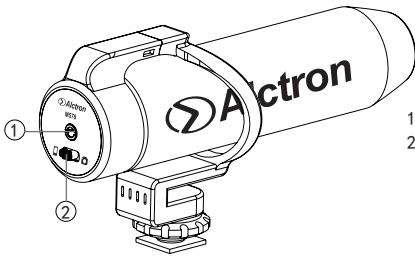


最后用3.5mm的线连接话筒和手机，即可开始录音。

当您选择用手机录音时，必须用随产品配送的4芯的3.5MM的连线。其他三芯3.5mm的连接线是不能使用的。

注意：此话筒仅适用于安卓手机。  
除此话筒，连接线之外，其他配件需另外购买。

## 功能介绍



- 1、3.5mm接口，用来连接手机/相机和话筒。
- 2、相机/手机：录音通道选择开关。拨到相机位置，选择用相机作为录音通道；拨到手机位置，选择用手机作为录音通道。

## 产品参数

- \* 类型：        电容话筒
- \* 音头：        16mm背驻极体音头
- \* 指向性：      心型
- \* 频率响应：    20Hz-18KHz
- \* 灵敏度：      -38dB
- \* 最大声压级：  136dB
- \* 信噪比：      68dB
- \* 连接器：      3.5mm

版权所有©宁波奥创电子科技有限公司,所有权保留。必要的技术数据和外观更改恕不予以另行通知。

宁波奥创电子科技有限公司

地址：浙江省宁波市海曙区秀丰工业区三成路76号

电话：0574-88011699

传真：0574-87157176

邮箱：sales@alctron-audio.com

网址：http://www.alctron-audio.com 全国统一服务热线：4000-160-112