
Product & Operating Manual



LED Panel Light

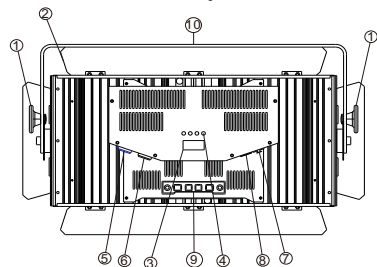


1.INTRODUCTION

1. Thank you for having chosen LED Panel Light . Please read the user manual carefully before you initially start-up,

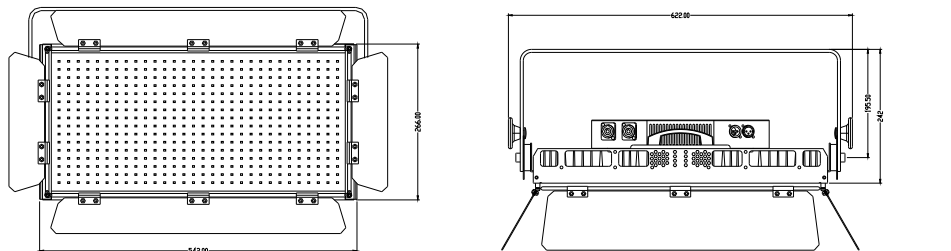
Tips: Before using the lamp, please check whether the local city voltage meets the range of AC90-240V

2. Description of the fixture

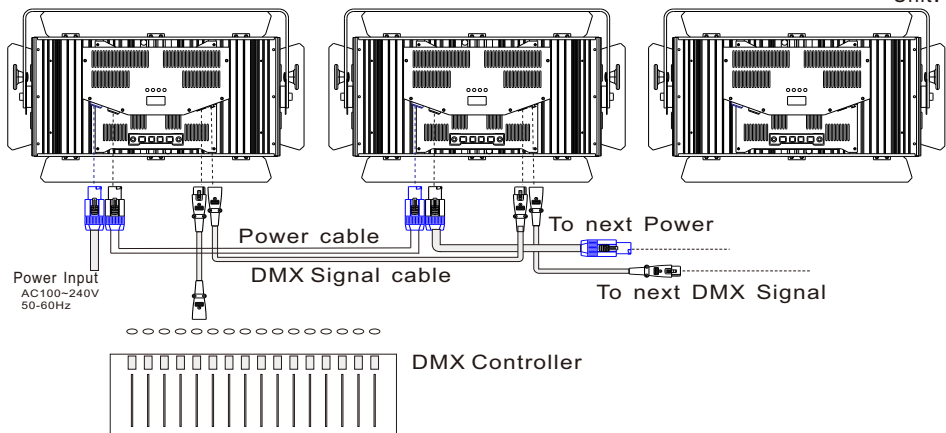


- ① Fixation screws
- ② Barndoors
- ③ LCD Display
- ④ Function knob
- ⑤ Power IN
- ⑥ Power Out
- ⑦ DMX Out
- ⑧ DMX IN
- ⑨ Insulated handle
- ⑩ Installation stand

3. Dimensions



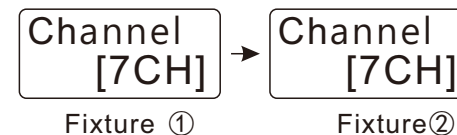
Unit: mm



LED Panel Light

1. 《Channels Funtion》

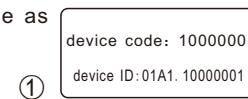
This fixture has 7-channel mode/4-channel mode for selection
In DMX512 mode, If more than two fixtures have different settings, should check whether the channe functions are consistent.
as show below ①②, Factory setting [7CH]



2. 《RDM Function》

If use the RDM function, that must use the console to search each fixture and change the fixture address code in the DMX 512 mode.

Identification Code: each fixture has an identification code as show below ①, the identification code of each fixture is different, Please check he fixture label.



3. 《DMX512 Function》

In DMX mode, the LED display screen flicker is normal when where is no DMX 512 signal input, and the LED display is lights up when the DMX 512 signal is input

LED Panel Light

9. Technical Specifications

LED SOURCE	LEDs: 3200K 0.5Wx240pcs Edison LEDs 5600K 0.5Wx240pcs Edison LEDs. CRI>90
Beam Angle	Beam angle 170 with high- efficiency optical system
Control	1.DMX512 2. RDM 3.Master/Slave Operation
DMX Channels	4CH/7CH (available)
Connection	PowerCON IN & OUT; 3-Pin DMX In& Out(5 -Pin DMX available)
Voltage	Electronic full-range AC 100-240V 50/60Hz
Working Temperature	Indoor IP20
	-20°C-40°C (-4° F-104° F)
Power Consumption	200W
Dimensions (LxWxH)	62.2X12.8X26.4cm
Weight	11.15Kg

1. 《Dimming、Brightness Function》

Before using the fixture, you should check whether (Dimming, brightness function) is turned on, As shown in figure①; the factory setting is on. This function should be checked when the fixture does not turn on when the lamp is turned on.

It is not affected by this function in DMX mode

Dimming
[255]

①

2. 《ColorTemperature Function》

In master-slave mode, Colortemp(color temperature function) can be adjusted from 3200K-5600K. As shown in figure①②, the factory setting <OFF> is shown in figure③ (Turn on Colortemp(Color temperature function) ; WW; CW function can not be used alone, use WW; CW function need to close Colortemp

Col_Temp
[3200]K

①

Col_Temp
[5600]K

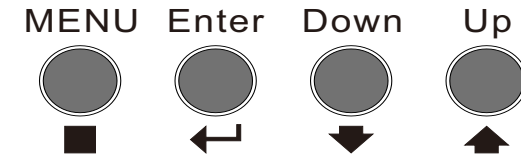
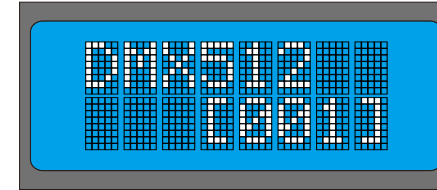
②

Col_Temp
OFF

③

LED Panel Light

5. Control Board

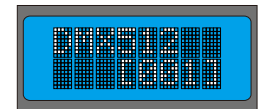
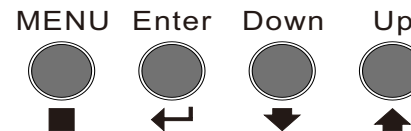
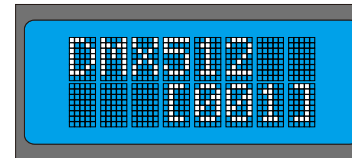


- Adjust the key setting function on the control panel
- Press "MENU" ---> Display first-level menu ---> Press "Enter" ---> Display second-level menu ---> Press "Down" & "Up" to adjust relevant function ---> Press "Enter" and "MENU" to quit current menu Press "Enter" ---> To next first-level menu.

6. Operation

Master/Slave Setting

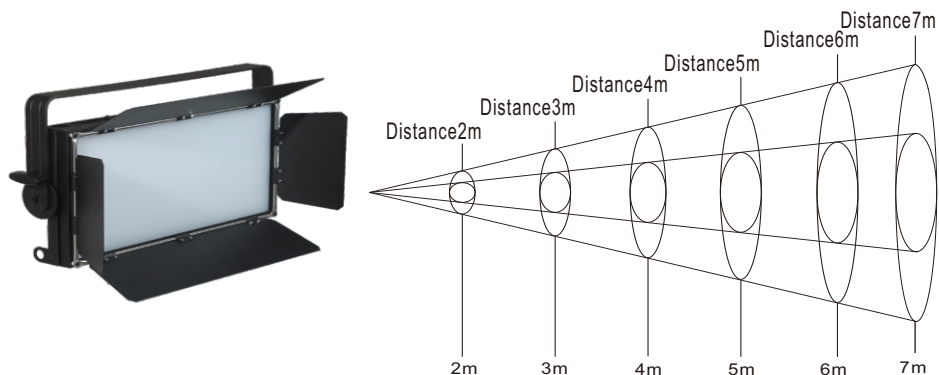
- Master: Dimming mode/Strobe mode
- All Salves: DMX001 (as below)



LCD Display	Function Setting
DMX512 MODE	Setting the DMX starting address from 001-512
WW [MODE]	Setting the LED (3200K) brightness 000-255
CW [MODE]	Setting the LED (6500K) brightness 000-255
Col_Temp [MODE]	Setting fixture color temperature 3200K-5600K
Dimming [MODE]	Dimming 000-255
Strobe [MODE]	Setting the strobe speed 00-12
Channel [MODE]	Setting DMX Channels 7CH-4CH
PWM [MODE]	Setting PWM frequency 1200Hz-20000Hz

LED Panel Light

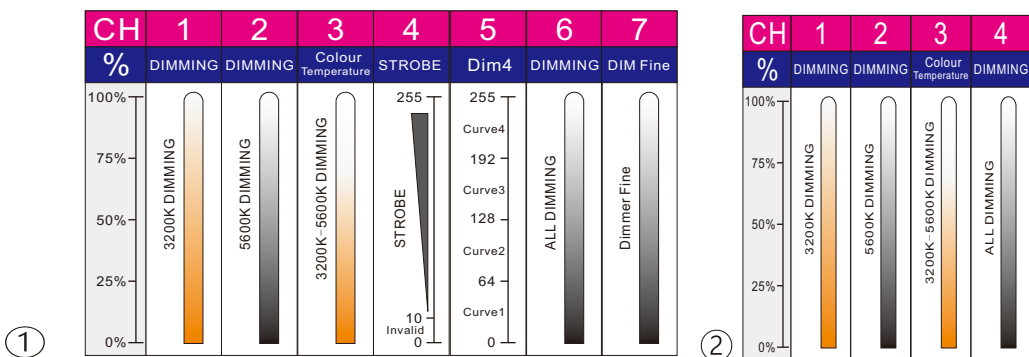
7. Illumination Diagram



Illumination Center/Lux	W	849	475	270	175	126	96
	A	768	430	245	158	114	87
	WA	1617	905	515	333	240	183

8. DMX Channels

This fixture has two DMX channel mode options;
7channel mode ① ; 4channel mode ②



LED Panel Light

DMX 7 Channels Function

Channel 1-3200K	000-255 levels dimming
Channel 2-5600K	000-255 levels dimming
Channel 3- CCT	000-255 levels dimming, available in color temperatures of 3200K-5600K
Channel 4-STROBE	000-009 levels without function 010-255 levels strobe function
Channel 5-Dim4	000-063 first-level dimming delay function 064-127 second-level dimming delay function 128-191 third-level dimming delay function 192-255 fourth-level dimming delay function
Channel 6-DIMMING	000-255 levels master dimming
Channel 7-DIM Fine	000-255 levels dimming fine

DMX 4 Channels function

Channel 1-3200k	000-255 levels dimming
Channel 2-5600k	000-255 levels dimming
Channel 3-CCT	000-255 levels dimming, available in color temperatures of 3200K-5600K
Channel 4-DIMMING	000-255 levels master dimming

Remarks: (ColourTemperature) contrast value

DMX levels	CCT DATA	DMX levels	CCT DATA
000↔012	3200K↔3300K	128↔139	4400K↔4500K
012↔022	3200K↔3400K	139↔149	4500K↔4600K
022↔033	3400K↔3500K	149↔160	4600K↔4700K
033↔044	3500K↔3600K	160↔171	4700K↔4800K
044↔055	3600K↔3700K	171↔181	4800K↔4900K
055↔066	3700K↔3800K	181↔192	4900K↔5000K
066↔075	3800K↔3900K	192↔203	5000K↔5100K
075↔086	3900K↔4000K	203↔213	5100K↔5200K
086↔096	4000K↔4100K	213↔224	5200K↔5300K
096↔107	4100K↔4200K	224↔235	5300K↔5400K
107↔118	4200K↔4300K	235↔245	5400K↔5500K
118↔128	4300K↔4400K	245↔255	5500K↔5600K