



# CINEMA RF ELECTROL

## SUGGESTED SPECIFICATIONS

Electrically operated projection screen 230 volt (50Hz) with a usage of no more than 0.43 Ampere. The motor is mounted on the left side in the steel casing with rubber dampers to reduce sound. The RF receiver is integrated in the motor. The motor is mounted inside the roller, 3 wire, 28 rotations per minute, maintenance free, integrated brake and thermal overload cut-out. The end positions are pre-set, but can be adjusted afterwards. The 3 wire connection is integrated into the end cap and can be connected to the electric installation with the connector and standard cable. Suitable for wall and ceiling mounting with the supplied flexible mounting brackets (50cm). The steel square casing (8,8x8,8cm) is galvanised on the inside and on the outside powder coated with a matte structure coating (RAL 9016). The grey end caps close the casing on both ends. The triangular slat bar closes of the bottom of the casing completely. The screen fabrics are flame retardant and seamless. The projection surfaces are standard with an extra high, black top border to allow adjustments to the ideal viewing height. The other borders are 5 cm. The projection fabrics have a black backing. Standard a remote control is supplied. The projection screen is tested and monitored by the TÜV/GS programme (EN 60335-1: 2002+A1+A11+A12+A2+A13, EN6035-2-97:2006, DIN 19045-5/01.84 and ZEK 01.2-08/12.08) and CE marked and satisfies the strictest quality and safety requirements.

## SCREEN SURFACES

All screen fabrics are seamless.

Matte White; Gain 1.0, viewing angle 120°, Flame retardant, max. height 240 cm, max. width 300 cm.

High Contrast; Gain 1.0, viewing angle 100°, Flame retardant, max. height 240 cm, max. width 240 cm.

## DIMENSIONS (SELECT ONE OUR STANDARD SIZES AND ENTER THE REQUIRED QUANTITY)

Aspect Ratio	Screen Size	Viewing Size	Nominal Diagonal		Case (RAL 9016)			Weight	Max. Screen Surface Height	Black-drop	Screen Surfaces	
	h x w cm	h x w cm	cm	inches	L1 (mm)	L2 (mm) max.	L3 (mm)	in kg	cm	cm	Matte White	High Contrast
4:3	123 x 160	110 x 146	183	72	1714	1534	1620	11	182	67		
	138 x 180	126 x 168	210	83	1914	1734	1820	13	182	50		
	153 x 200	143 x 190	238	94	2134	1954	2040	15	182	34		
	168 x 220	158 x 210	263	103	2334	1754	2240	16	182	19		
	183 x 240	173 x 230	288	113	2534	2354	2440	19	198	20		
16:9	90 x 160	82 x 146	168	66	1714	1534	1620	11	182	95		
	102 x 180	95 x 168	193	76	1914	1734	1820	13	182	82		
	117 x 200	107 x 190	218	86	2134	1954	2040	15	182	70		
	128 x 220	118 x 210	241	95	2334	1754	2240	16	182	59		
	139 x 240	129 x 230	264	104	2534	2354	2440	19	182	48		
16:10	129 x 200	119 x 190	224	88	2134	1954	2040	14	182	58		
	141 x 220	131 x 210	248	97	2334	1754	2240	16	182	45		
	154 x 240	144 x 230	271	107	2534	2354	2440	18	182	38		

## CUSTOM SOLUTIONS

Give exact the sizes of the projection screen you need:

Viewing size: \_\_\_\_\_ Height (cm.) x \_\_\_\_\_ width (cm.) Surface: \_\_\_\_\_

Border top: \_\_\_\_\_ (cm.) Border bottom: \_\_\_\_\_ (cm.)

Border left: \_\_\_\_\_ (cm.) Border right: \_\_\_\_\_ (cm.)

RAL color case and plastic parts: RAL \_\_\_\_\_

Screen fabric mounted reversely

Motor positioned on right side

Remarks: \_\_\_\_\_

[www.projectascreens.com/screendesigner](http://www.projectascreens.com/screendesigner)

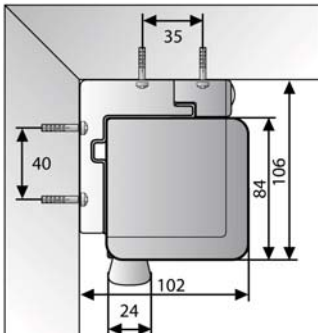
**ACCESSORIES FOR OPERATION**

- RF wall-mounted transmitter (433,92 Mhz)
- 4-channel RF remote control (433,92 Mhz)
- Easy Install plug & play connector cable for RF screens 10 m
- Easy Install plug & play connector cable for RF screens 5 m

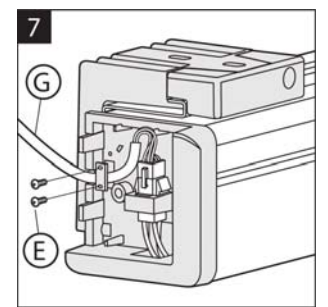
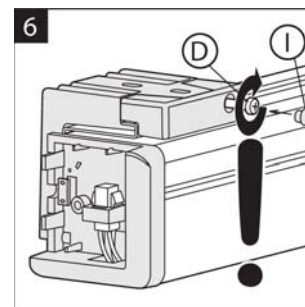
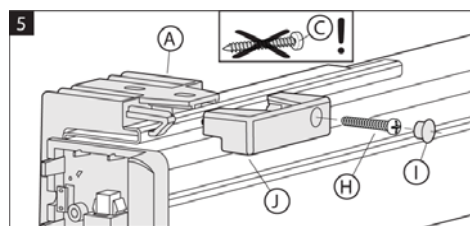
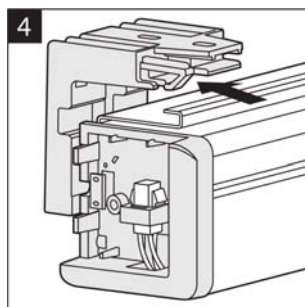
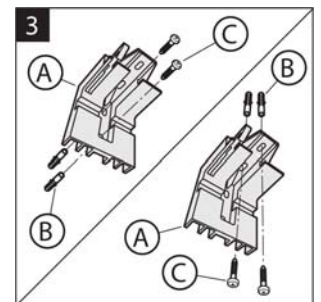
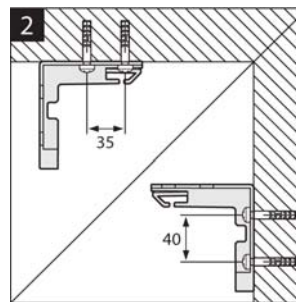
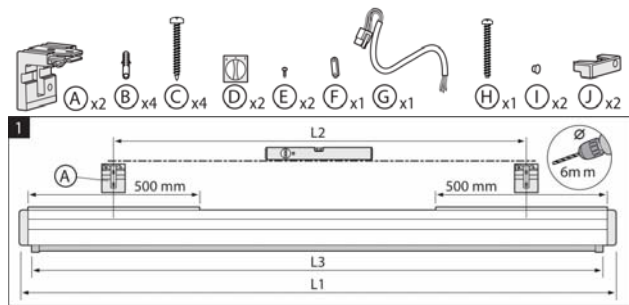
**ACCESSORIES FOR MOUNTING**

- Ceiling brackets (100 cm.)
- Set extension brackets (75 cm.)
- Set extension brackets (30 cm.)
- Set extension brackets (10 cm.)
- Set wall clamps
- Bracket kit for easy mounting in soffit

**DIMENSIONS**



**INSTALLATION**



Project:	_____
Architect:	_____
Phone:	_____
Contractor:	_____
Phone:	_____
Supervisor:	_____
Phone:	_____
Supplier:	_____
Date:	_____
Revised:	_____

