

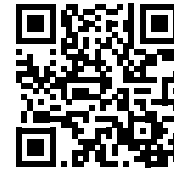
ELPRO CONCEPT

Motorized projection screen for wall or ceiling installations

PROJECTA
REFLECTING YOUR VISION





See the video:



Product specifications:

- Electrically operated projection screen 230 volt (50Hz) with a usage of no more than 0.53 Ampere (121.9 Watt).
- The motor is mounted on the left side in the steel casing with rubber dampers to reduce sound.
- The motor is mounted inside the roller, 4 wire, 26 rotations per minute, maintenance free, integrated brake and thermal overload cut-out.
- The 4 wire connection is integrated into the end cap and can be connected to the electric installation with the connector and standard cable.
- Suitable for wall or ceiling mounting with the supplied mounting brackets which can be positioned within 50cm of either side of the case.
- The leaf shaped steel casing (14,6 x 15,4cm) is galvanised on the inside and on the outside powder coated with a matte structure coating (RAL 9016).
- The white end caps close the casing on both ends. After removing the left end cap an Easy Connectivity plug is accessible for easy connecting of power and accessories.
- The triangular slat bar rolls into the case completely.
- The screen fabrics are flame retardant and seamless in the viewing area.
- The projection fabrics have a 5 cm. border all around with the Video, HDTV, and Wide format. The standard format (1:1) has a black border on both sides (width < 240cm= 2.5cm and ≥ 240cm= 5cm).
- The projection fabrics have a black backing.
- Standard 3 position wall switch is supplied.
- The projection screen is CE marked and satisfies the strictest quality and safety requirements.
- Integrated RF receiver option: this version will have a 3 wire connection and will be supplied with a remote control.

Options:

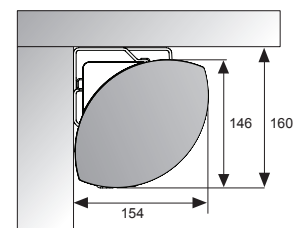
- RF - Radio frequency: Includes built-in radio frequency receiver, making it possible to operate the screen using the supplied remote control. Standard remote control is supplied when selected this option.
- Extended black drop 
- Without borders 

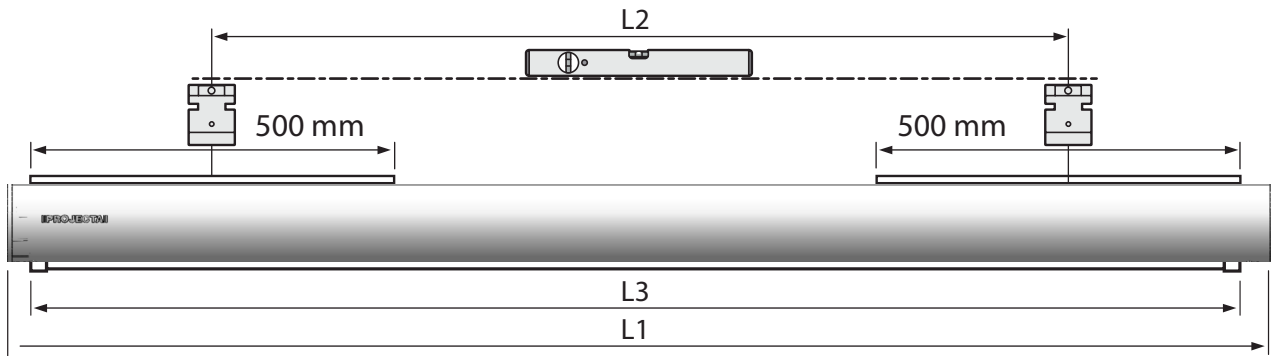
Aspect Ratios:



Available dimensions

Minimum width: 180 cm
Maximum width: 400 cm





		Viewing Area	Dimensions			Border	Net weight
		cm	L1 mm	L2 mm	L3 mm	cm	kg
16:10	129x200	119 x 190	2131	1565	2040	5	21
	141x220	131 x 210	2331	1765	2240	5	23
	154x240	144 x 230	2531	1965	2440	5	25
	179x280	169 x 270	2931	2365	2840	5	29
	191x300	181 x 290	3131	2565	3040	5	30
	204x320	194 x 310	3331	2765	3240	5	32
	216x340	206 x 330	3531	2965	3440	5	34
	228x360	218 x 350	3731	3165	3640	5	40
	241x380	231 x 370	3931	3365	3840	5	42
254x400	244 x 390	4131	3565	4040	5	45	
16:9	102x180	96x170	1911	1345	1820	5	19
	117x200	107x190	2131	1565	2040	5	21
	128x220	118x210	2331	1765	2240	5	23
	139x240	129x230	2531	1965	2440	5	25
	162x280	152x270	2931	2365	2840	5	28
	173x300	163x290	3131	2565	3040	5	30
	184x320	174x310	3331	2765	3240	5	32
	196x340	186x330	3531	2965	3440	5	34
	207x360	197 x 350	3731	3165	3640	5	39
218x380	208 x 370	3931	3365	3840	5	42	
229x400	219 x 390	4131	3565	4040	5	44	
4:3	138x180	127x170	1911	1345	1820	5	20
	153x200	143x190	2131	1565	2040	5	22
	168x220	158x210	2331	1765	2240	5	23
	183x240	173x230	2531	1965	2440	5	25
	213x280	203x270	2931	2365	2840	5	29
	228x300	218x290	3131	2565	3040	5	31
	243x320	233x310	3331	2765	3240	5	33
258x340	248x330	3531	2965	3440	5	36	
1:1	180x180	173x173	1911	1345	1820	2,5 L/R	20
	200x200	195x195	2131	1565	2040	2,5 L/R	22
	220x220	215x215	2331	1765	2240	2,5 L/R	24
	240x240	230x230	2531	1965	2440	5 L/R	26
	280x280	270x270	2931	2365	2840	5 L/R	31
	300x300	290x290	3131	2565	3040	5 L/R	33
	320x320	310x310	3331	2765	3240	5 L/R	35
340x340	330x330	3531	2965	3440	5 L/R	38	

Available standard resolution projection surfaces

All screen surfaces are seamless in the viewing area.

Matte White

Gain: 1.0
Viewing Angle: 120°
Base material: Fiberglass
Fire retardancy: B2
Black backing: Yes
Opacity rating: > 99 %
Seamless: Yes
GreenGuard certification: Yes

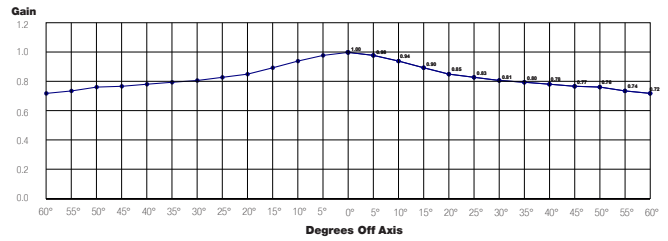


Standard: UL 2818 - 2013
Standard for Chemical Emissions
for Building Materials, Finishes and
Furnishings

Certification number

Greenguard -
4710-410

Greenguard Gold -
4710-420



Datalux

Gain: 1.5
Viewing Angle: 70°
Base material: Fiberglass
Fire retardancy: B2
Black backing: Yes
Opacity rating: > 99 %
Seamless: Yes
GreenGuard certification: Yes

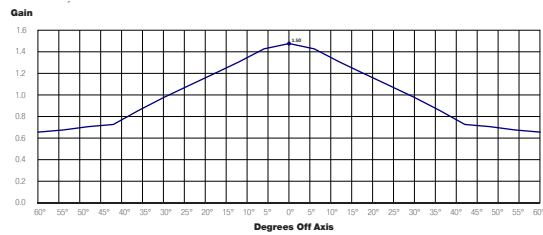


Standard: UL 2818 - 2013
Standard for Chemical Emissions
for Building Materials, Finishes and
Furnishings

Certification number

Greenguard -
4712-410

Greenguard Gold -
4712-420



High Contrast

Gain: 1.1
Viewing Angle: 100°
Base material: Fiberglass
Fire retardancy: B2
Black backing: Yes
Opacity rating: > 99 %
Seamless: Yes
GreenGuard certification: Yes

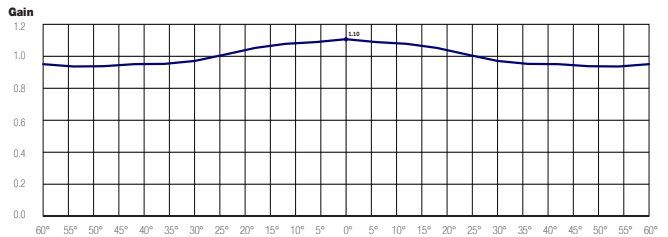


Standard: UL 2818 - 2013
Standard for Chemical Emissions
for Building Materials, Finishes and
Furnishings

Certification number

Greenguard -
4708-410

Greenguard Gold -
4708-420



B1 / M1 Fire retardancy

Projection surface with B1 / M1 fire retardancy is optionally available. Contact Projecta for feasibility.

Certifications

- Products are manufactured in an ISO14001 certified facility
- Projecta is an ISO 9001 certified company
- REACH - Registration, Evaluation, Authorisation and Restriction of Chemical substances.
- RoHS - Restriction of Hazardous Substances.
- WEEE - Waste Electronic and Electrical Equipment Regulations.



Customisation

Give exact the sizes of the projection screen you need:

Viewing size: _____ Height (cm.) x _____ width (cm.)

Surface: _____ Border top: _____ (cm.) Border bottom: _____ (cm.)

RAL color case and plastic parts: RAL _____

Motor positioned on right side

Screen fabric mounted reversely

Remarks: _____

Accessories - control options

For projection screens with a standard motor / delivered as standard with a wall switch

- Easy Install RF remote control (868,3 Mhz)
 - Easy Install wireless projectorcoupling (868,3 Mhz)
 - Easy Install wireless RF wall switch (868,3 Mhz)
- Easy Install RF remote control with projectorcoupling (868,3 Mhz)
- Easy Install projectorcoupling with cable
- Easy Install IR remote control
- Easy Install plug & play relaybox with potential free contacts
 - Easy Install plug & play RS232/RS422 control kit
 - Easy Install plug & play RS232/RS422 with IP control kit
- Keyswitch

For projection screens with an RF motor / delivered as standard with a remote control

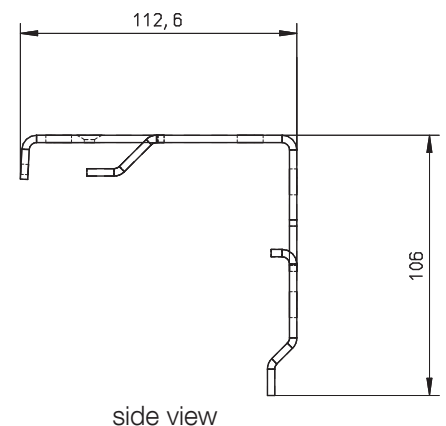
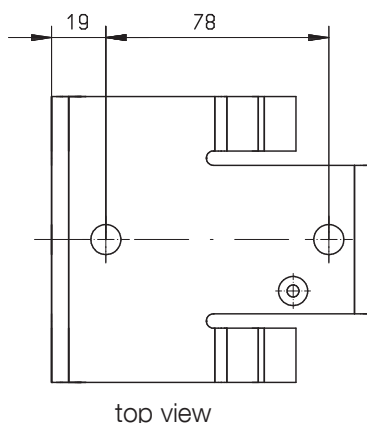
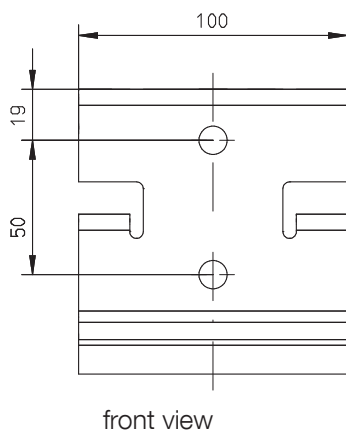
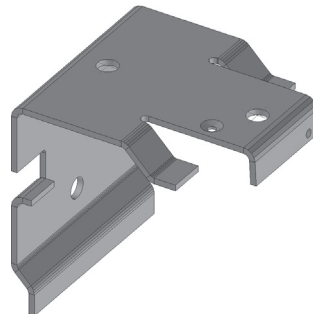
- RF wall-mounted transmitter (433,92 Mhz)
- 4-channel RF remote control (433,92 Mhz)
- Easy Install plug & play connector cable for RF screens 10 m
- Easy Install plug & play connector cable for RF screens 5 m

Accessories - installation

- Ceiling brackets (100 cm.)
- Set extension brackets (75 cm.)
- Set extension brackets (30 cm.)
- Set extension brackets (10 cm.)
- Wall clamps
- Bracket kit for easy mounting in soffit

Elpro Concept - mounting bracket included

(Dimensions in mm)



Warranty

Projecta provides a limited 5 year warranty on the Elpro Concept range and a limited 2 year warranty on all other products. The warranty on the motor of electrical screens is 5 year. All warranties are in effect beginning the date the product was invoiced by Projecta.