

# Luma and Star Spring Roller Operated Projection Screens by Draper

### ⚠ Caution

- ① Read and understand these instructions; keep them for future reference. Follow instructions carefully.
  - ② Care in both mounting and correct operation will mean long and satisfactory service from your Draper screen.
  - ③ Locate the screen where the audience can best see it, and where other room furnishings permit.
  - ④ Mount the screen so that the bottom of the picture, when screen is fully extended, will be above the heads of viewers.
  - ⑤ When raising screen, pull down and, while holding, allow for slow retraction into the case to reduce risk of injury from falling screen.
  - ⑥ Screen should be installed level (using a carpenter's level).
  - ⑦ Nothing should be fastened to screen dowel or viewing surface.
- NOTE:** Screen has been thoroughly inspected and tested at factory and found to be operating prior to shipment.

### Installation

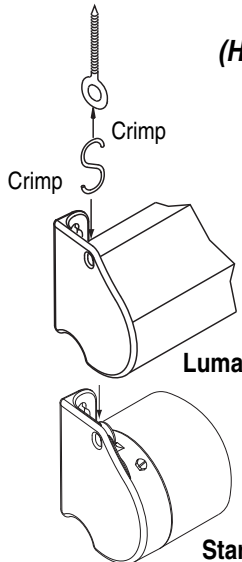
Your Draper screen can be mounted on a wall or suspended from the ceiling or extension brackets. It must be mounted level and with the flat back parallel to the wall.

The screen (or extension brackets) should be mounted into studs or blocking in the wall/ceiling, or in drywall (minimum thickness 1/2") with specified anchors. For any other type of installation, follow all local building and safety codes.

Steel studs, concrete or cinder block walls and all other types of non-wood frame construction require the use of special screws or anchors.

**The selection of appropriate mounting hardware should be made by a qualified professional installer.**

### Ceiling Suspended (Hardware not Included)

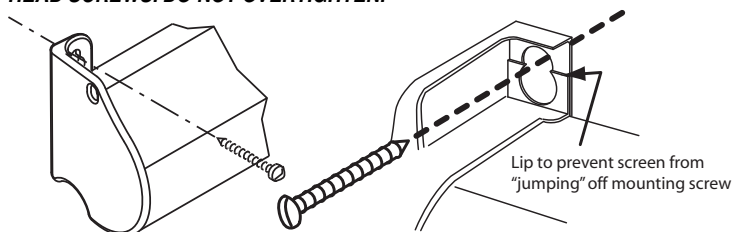


Use the holes at the front of the endcap/mounting bracket for suspended mounting. Position and properly anchor screw eyes or other fasteners (not included) into ceiling joists or other solid surface. Suspend "S" hooks (not included) from fasteners (not included) and hook through holes in the front of the mounting bracket. For added safety, crimp both ends of the "S" hooks so the screen cannot come off.

**Recommended hardware (not included):** For mounting into wood or ceiling joist, use two 3/16" x 1 1/4" screw eyes and 3/16" diameter "S" hooks; for mounting into drywall (minimum 1/2" thick), use 3/16" toggle bolts or molly bolts with 3/16" "S" hooks.

### Wall Mounting (Hardware not Included)

Use the upper portion of the holes at the back of the endcap/mounting bracket for flush wall mounting. **Recommended hardware (not included):** For mounting into wood or wall stud, use #10 x 1 1/4" wood screws; for mounting into drywall (minimum 1/2" thick), use 3/16" toggle bolts or 3/16" molly bolts. **DO NOT USE FLAT HEAD SCREWS. DO NOT OVERTIGHTEN.**

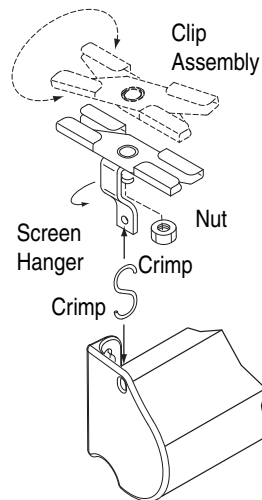


Luma pictured

# DRAPER®

411 S. Pearl St., Spiceland, IN 47385 USA ■ 765-987-7999  
www.draperinc.com ■ fax 765-987-7142

Copyright © 2011 Draper Inc. Form Luma-Star\_Inst11 Printed in U.S.A.



Luma pictured

### T-Bar Twist Clips (Optional Equipment)

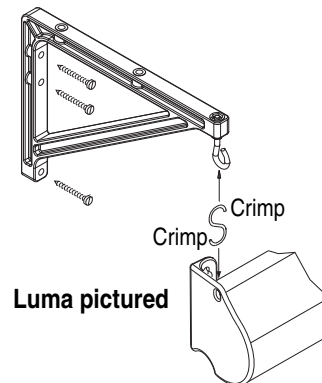
- ① Loosen the clip assembly by turning the formed steel hanger counterclockwise.
- ② Spread the clip assembly apart, place over the T-irons, and **firmly squeeze** the clip assembly back together, making sure the clip is **firmly seated** around the T-iron. Retighten by using pliers to turn the formed steel hanger clockwise. Make sure it is **fully tightened**.
- ③ Secure with the nut. Tighten with pliers.

**Please Note: Make sure the clip is fully tightened around the T-iron, and that the formed steel hanger and the lock nut are fully tightened. Poorly tightened clip assemblies, hangers or nuts allow the T-Bar Twist Clip to work loose.**

- ④ Test by trying to pull the twist clip open and by pulling down on the hanger. The clip should not pull open.
- ⑤ Suspend provided "S" hooks from the holes in the clips and hook through holes in the front of the screen mounting bracket. For added safety, crimp both ends of the "S" hooks so the screen cannot come off.

**Please Note: T-Bar Twist Clips are not recommended for screens larger than 70" x 70" unless T-irons are reinforced.**

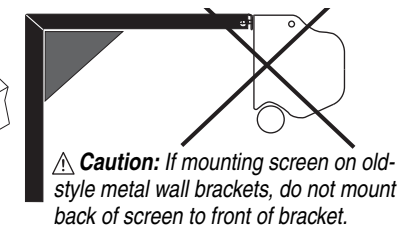
### Extension Brackets (Optional Equipment)



Luma pictured

Wall mount the brackets (not included with screen) using hardware recommended for "Wall Mounting" (above, not included). Then, suspend the screen from the front holes with "S" hooks. For added safety, crimp both ends of the "S" hooks so the screen cannot come off.

**DO NOT OVERTIGHTEN.**



**⚠ Caution: If mounting screen on old-style metal wall brackets, do not mount back of screen to front of bracket.**

**Please note:** When installing wall brackets, flexible driver bit extensions may make it easier to accurately drive the fasteners into the mounting surface.

### Operating Instructions—Standard

**To lower** picture surface, pull screen down. *Hesitate*—then allow screen to retract very slowly until it locks in place.

**⚠ To raise** picture surface, pull screen down and, while holding, allow for slow retraction into the case to reduce risk of injury from falling screen.

### Operating Instructions—AutoReturn (Available with Luma)

**To lower** picture surface, pull screen down. *Hesitate*—then allow screen to retract very slowly until it locks in place.

**To raise** picture surface, pull screen down gently until it stops, then release.

### Viewing Surface Care & Maintenance

#### Matt White & High Contrast Grey

Clean surface with a solution of mild dishwashing liquid diluted with warm water. Sponge the surface, rinse with clear water and blot dry. Do not use cleaning solvents or abrasives.

#### Glass Beaded

Clean with a very soft brush or cloth and carefully dust the surface. **DO NOT USE SOAP, WATER, SOLVENTS OR ABRASIVES.** These substances will damage a glass beaded viewing surface.

*If you encounter any difficulties installing or servicing your screen, call your dealer or Draper, Inc., Spiceland, Indiana, (765) 987-7999, or fax (765) 987-7142.*