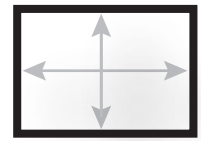


HOMESCREEN DELUXE

Fixed frame projection screen for wall installations

PROJECTA
REFLECTING YOUR VISION



Product specifications:

- Fixed frame projection screen with an aluminum frame.
- The aluminum frame is 8 cm wide and 3 cm deep with a beveled edge to reduce shadowing in the viewing area.
- The aluminum frame has a black velour finish which eliminates reflection and serves to absorb projected light.
- The projection screen surface is attached to the rear of the screen with Velcro®.
- The aluminum frame parts are connected in the corners with corner plates.
- Easy and flush installation by hanging the screen over two screws by using the integrated flat (3mm) mounting brackets.
- The frame will conceal velcro and binding.
- The frame is made of aluminium finished with velour.
- Standard all brackets are supplied.

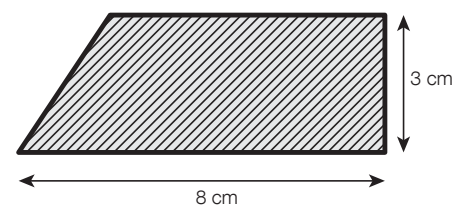
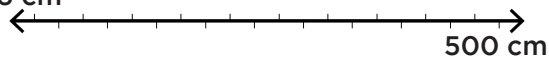
Aspect Ratios:



Available dimensions

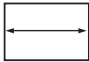
Minimum width: 176 cm

Maximum width:



PROJECTA A BRAND OF MILESTONE AV TECHNOLOGIES BV || www.milestone.com

P +31.(0)495.580.840 || F +31.(0)495.580.845 || emea.sales@milestone.com

		Viewing Area	Nominal Diagonal		Frame dimensions		Net weight
		cm	cm	inches	Frame height	Frame width	cm
16:10	116 x 176	100 x 160	189	74"	116	176	8
	129 x 196	112 x 180	211	83"	129	196	9
	141 x 216	125 x 200	236	93"	141	216	10
	154 x 236	137 x 220	259	102"	154	236	11
	166 x 256	150 x 240	283	111"	166	256	11
	191 x 296	175 x 280	330	130"	191	296	12
	204 x 316	187 x 300	353	139"	204	316	13
	235 x 366	219 x 350	413	163"	235	366	28
	266 x 416	250 x 400	482	186"	266	416	32
	297 x 466	281 x 450	531	209"	297	466	34
	329 x 516	313 x 500	590	232"	329	516	40
16:9	106 x 176	90 x 160	183	72"	106	176	8
	118 x 196	102 x 180	207	81"	118	196	9
	128 x 216	112 x 200	229	90"	128	216	10
	140 x 236	122 x 220	249	98"	140	236	11
	151 x 256	135 x 240	269	108"	151	256	11
	173 x 296	157 x 280	320	126"	173	296	12
	185 x 316	169 x 300	345	136"	185	316	13
	213 x 366	197 x 350	402	158"	213	366	28
	241 x 416	225 x 400	467	184"	241	416	32
	269 x 466	253 x 450	524	206"	269	466	34
	297 x 516	281 x 500	574	226"	297	516	40
2.35:1	93 x 196	76 x 180	195	78"	93	196	8
	101 x 216	85 x 200	217	85"	101	216	9
	110 x 236	94 x 220	239	94"	110	236	10
	118 x 256	102 x 240	261	103"	118	256	11
	135 x 296	119 x 280	304	120"	135	296	11
	144 x 316	128 x 300	326	128"	144	316	12
	165 x 366	149 x 350	380	150"	165	366	28
	186 x 416	170 x 400	435	171"	186	416	32
	207 x 466	191 x 450	489	193"	207	466	34
	229 x 516	213 x 500	543	214"	229	516	40
4:3	136 x 176	120 x 160	200	79"	135	176	9
	151 x 196	135 x 180	225	89"	151	196	10
	166 x 216	150 x 200	254	100"	166	216	11
	181 x 236	165 x 220	275	108"	181	236	12
	196 x 256	180 x 240	302	119"	196	256	12
	226 x 296	210 x 280	350	138"	226	296	14
	241 x 316	225 x 300	375	148"	241	316	16
	279 x 366	263 x 350	438	172"	279	366	28
	316 x 416	300 x 400	500	200"	316	416	32
		354 x 466	338 x 450	563	222"	354	466
	391 x 516	375 x 500	597	239"	391	516	40

Available standard resolution projection surfaces

Matte White

Gain: 1.0
Viewing Angle: 120°
Base material: Vinyl
Fire retardancy: B1
GreenGuard certification: No

For all sizes with a maximum surface height of 188 cm:

Black backing: Yes
Seamless: Yes

For all sizes with a surface height from 189 cm until 225 cm:

Black backing: No
Seamless: Yes

For all sizes with a surface height of 226 cm and above:

Black backing: No
Seamless: No

High Contrast Cinema Vision

Gain: 1.1
Viewing Angle: 100°
Base material: Vinyl
Fire retardancy: B2
Black backing: Yes
Opacity rating: > 99 %
Seamless: Yes
GreenGuard certification: Yes

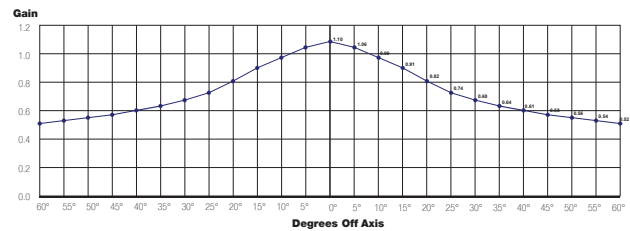


Standard: UL 2818 - 2013
Standard for Chemical Emissions
for Building Materials, Finishes and
Furnishings

Certification number

Greenguard -
5112-410

Greenguard Gold -
5112-420



Da-Tex (rear projection)

Gain: 1.3
Viewing Angle: 60°
Base material: Vinyl
Fire retardancy: B2
Seamless: Yes
GreenGuard certification: Yes

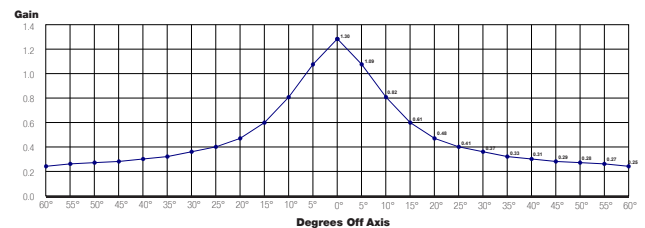


Standard: UL 2818 - 2013
Standard for Chemical Emissions
for Building Materials, Finishes and
Furnishings

Certification number

Greenguard -
5106-410

Greenguard Gold -
5106-420



Available perforated projection surfaces

All screen surfaces are seamless in the viewing area.

HD Progressive 1.1 Perf

Gain: 1.1
Viewing Angle: 170°
Base material: Vinyl
Fire retardancy: B2
Black backing: Yes
Opacity rating: > 99 %
Seamless: Yes
GreenGuard certification: Yes
Hole diameter: 0.7 mm
Open area: 8.65%

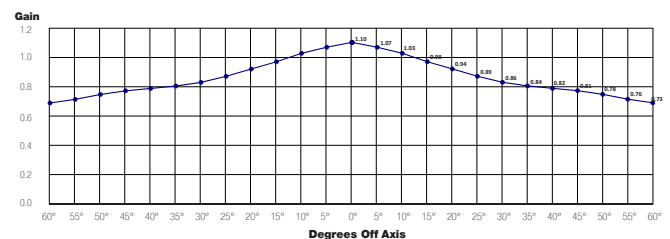


Standard: UL 2818 - 2013
Standard for Chemical Emissions
for Building Materials, Finishes and
Furnishings

Certification number

Greenguard -
11067-410

Greenguard Gold -
11067-420



Available High Resolution projection surfaces

All screen surfaces are seamless in the viewing area.



HD Progressive 0.6

Gain: 0.6
Viewing Angle: 170°
Base material: Vinyl
Fire retardancy: B2
Black backing: Yes
Opacity rating: > 99 %
Seamless: Yes
GreenGuard certification: Yes

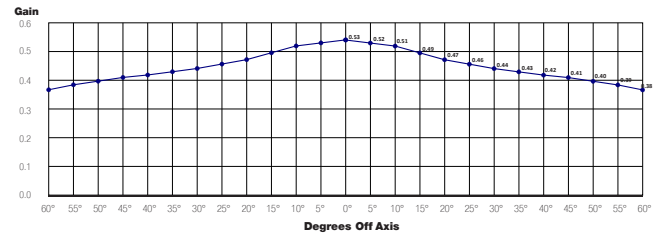


Standard: UL 2818 - 2013
Standard for Chemical Emissions
for Building Materials, Finishes and
Furnishings

Certification number

Greenguard -
11065-410

Greenguard Gold -
11065-420



HD Progressive 0.9

Gain: 0.9
Viewing Angle: 170°
Base material: Vinyl
Fire retardancy: B2
Black backing: Yes
Opacity rating: > 99 %
Seamless: Yes
GreenGuard certification: Yes

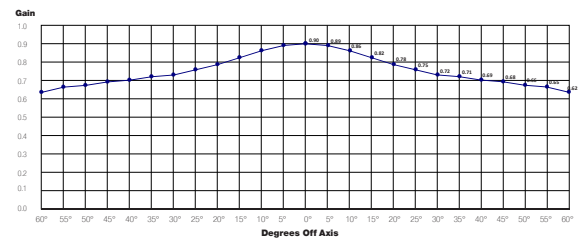


Standard: UL 2818 - 2013
Standard for Chemical Emissions
for Building Materials, Finishes and
Furnishings

Certification number

Greenguard -
11066-410

Greenguard Gold -
11066-420



HD Progressive 1.1

Gain: 1.1
Viewing Angle: 170°
Base material: Vinyl
Fire retardancy: B2
Black backing: Yes
Opacity rating: > 99 %
Seamless: Yes
GreenGuard certification: Yes

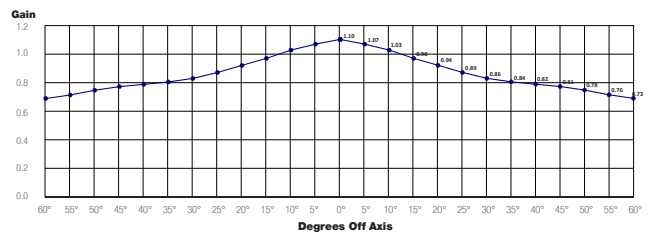


Standard: UL 2818 - 2013
Standard for Chemical Emissions
for Building Materials, Finishes and
Furnishings

Certification number

Greenguard -
11067-410

Greenguard Gold -
11067-420



HD Progressive 1.3

Gain: 1.3
Viewing Angle: 150°
Base material: Vinyl
Fire retardancy: B2
Black backing: Yes
Opacity rating: > 99 %
Seamless: Yes
GreenGuard certification: Yes

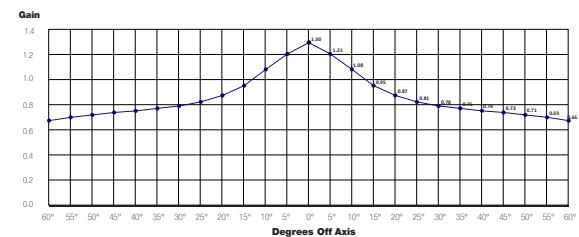


Standard: UL 2818 - 2013
Standard for Chemical Emissions
for Building Materials, Finishes and
Furnishings

Certification number

Greenguard -
42729-410

Greenguard Gold -
42729-420



Certifications

- Products are manufactured in an ISO14001 certified facility
- Projecta is an ISO 9001 certified company
- REACH - Registration, Evaluation, Authorisation and Restriction of Chemical substances.
- RoHS - Restriction of Hazardous Substances.
- WEEE - Waste Electronic and Electrical Equipment Regulations.



Customisation

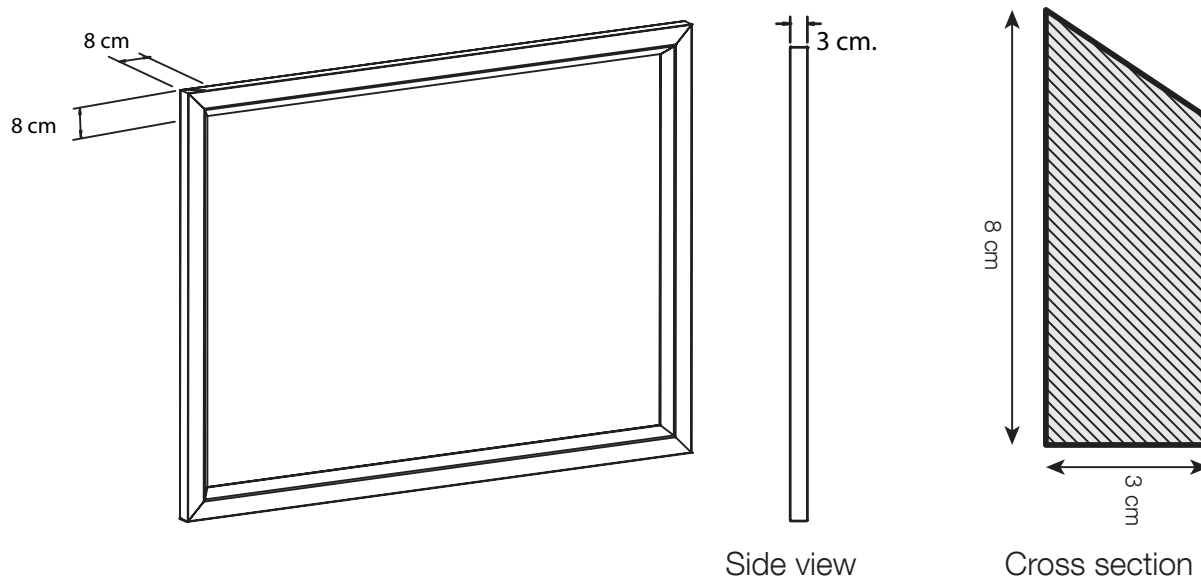
Give exact the sizes of the projection screen you need:

Viewing size: _____ Height (cm.) x _____ width (cm.)

Surface: _____ Frame color: RAL _____

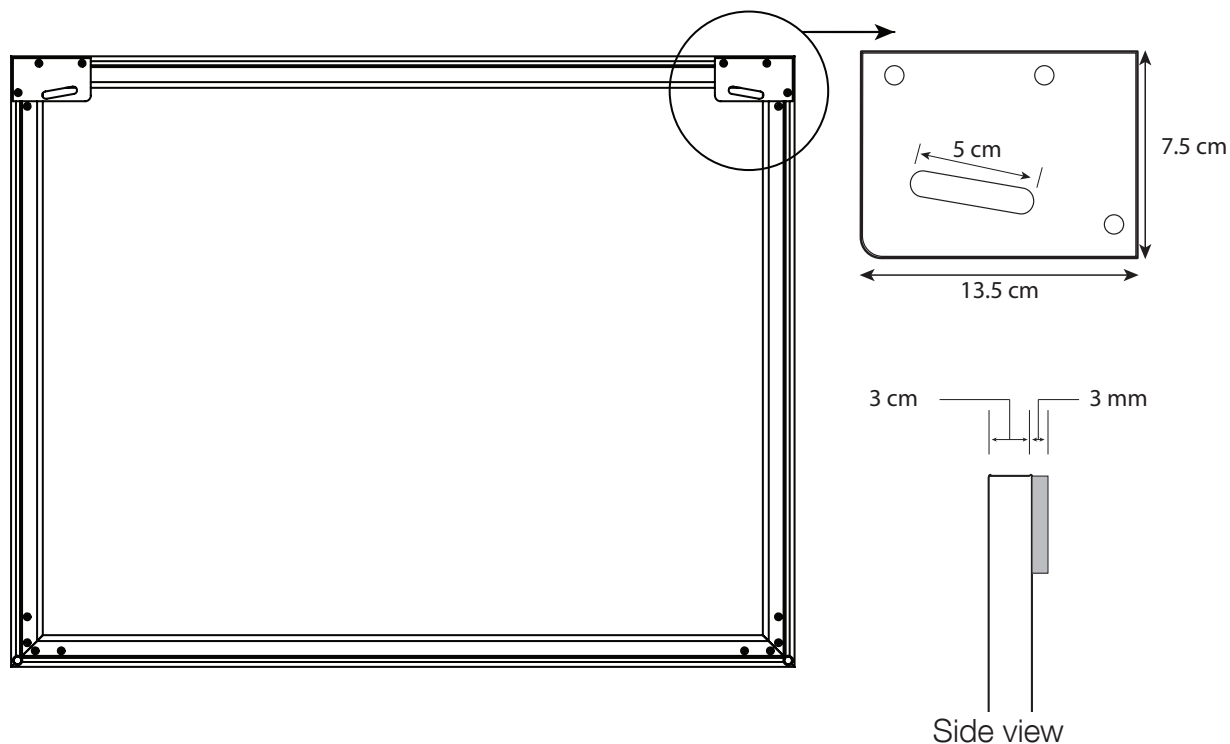
Remarks: _____

Frame dimensions



Installation

Easy and flush installation by hanging the screen over two screws by using the integrated flat (3mm) mounting brackets.



Warranty

Projecta provides a limited 5 year warranty on the Elpro Concept range and a limited 2 year warranty on all other products. The warranty on the motor of electrical screens is 5 year. All warranties are in effect beginning the date the product was invoiced by Projecta.