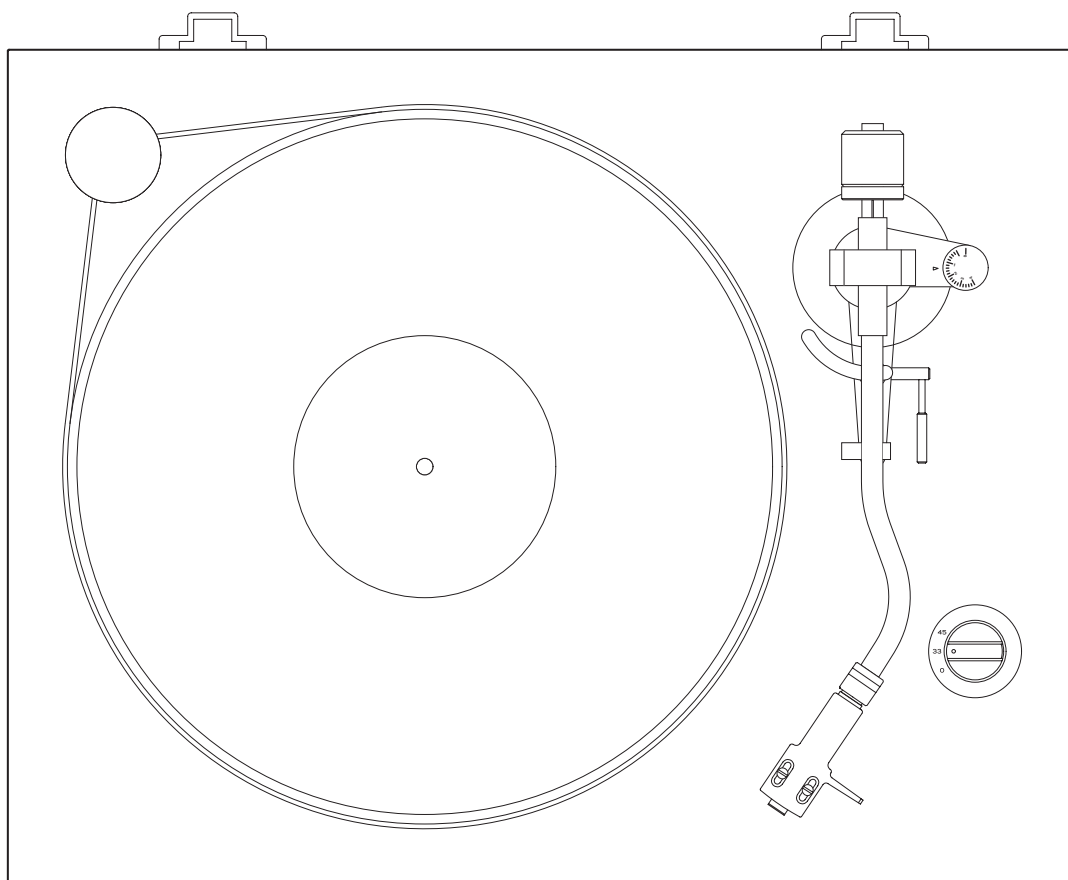


TEAC

TN-570

ANALOG TURNTABLE

**OWNER'S MANUAL
MODE D'EMPLOI
MANUAL DEL USUARIO
BEDIENUNGSANLEITUNG
MANUALE DI ISTRUZIONI
GEBRUIKSAANWIJZING
BRUKSANVISNING**

ENGLISH

FRANÇAIS

ESPAÑOL


DEUTSCH

ITALIANO

NEDERLANDS

SVENSKA


IMPORTANT SAFETY INSTRUCTIONS



CAUTION

RISK OF ELECTRIC SHOCK

DO NOT OPEN



CAUTION: TO REDUCE THE RISK OF ELECTRIC SHOCK, DO NOT REMOVE COVER (OR BACK). NO USER-SERVICEABLE PARTS INSIDE. REFER SERVICING TO QUALIFIED SERVICE PERSONNEL.

The lightning flash with arrowhead in an equilateral triangle is intended to alert the user to the presence of uninsulated "dangerous voltage" within the product's enclosure that could be of sufficient magnitude to constitute a risk of electric shock to persons.



The exclamation point in an equilateral triangle is intended to alert the user to the presence of important operating and maintenance (servicing) instructions in the literature accompanying the appliance.



WARNING: TO PREVENT FIRE OR SHOCK HAZARD, DO NOT EXPOSE THIS APPLIANCE TO RAIN OR MOISTURE.

CAUTION

- DO NOT REMOVE THE EXTERNAL CASES OR CABINETS TO EXPOSE THE ELECTRONICS. NO USER SERVICEABLE PARTS ARE INSIDE.
- IF YOU ARE EXPERIENCING PROBLEMS WITH THIS PRODUCT, CONTACT THE STORE WHERE YOU PURCHASED THE UNIT FOR A SERVICE REFERRAL. DO NOT USE THE PRODUCT UNTIL IT HAS BEEN REPAIRED.
- USE OF CONTROLS OR ADJUSTMENTS OR PERFORMANCE OF PROCEDURES OTHER THAN THOSE SPECIFIED HEREIN MAY RESULT IN HAZARDOUS RADIATION EXPOSURE.

- 1) Read these instructions.
- 2) Keep these instructions.
- 3) Heed all warnings.
- 4) Follow all instructions.
- 5) Do not use this apparatus near water.
- 6) Clean only with dry cloth.
- 7) Do not block any ventilation openings. Install in accordance with the manufacturer's instructions.
- 8) Do not install near any heat sources such as radiators, heat registers, stoves, or other apparatus (including amplifiers) that produce heat.

- 9) Do not defeat the safety purpose of the polarized or grounding-type plug. A polarized plug has two blades with one wider than the other. A grounding type plug has two blades and a third grounding prong. The wide blade or the third prong are provided for your safety. If the provided plug does not fit into your outlet, consult an electrician for replacement of the obsolete outlet.
- 10) Protect the power cord from being walked on or pinched particularly at plugs, convenience receptacles, and the point where they exit from the apparatus.
- 11) Only use attachments/accessories specified by the manufacturer.
- 12) Use only with the cart, stand, tripod, bracket, or table specified by the manufacturer, or sold with the apparatus. When a cart is used, use caution when moving the cart/apparatus combination to avoid injury from tip-over.
- 13) Unplug this apparatus during lightning storms or when unused for long periods of time.
- 14) Refer all servicing to qualified service personnel. Servicing is required when the apparatus has been damaged in any way, such as power-supply cord or plug is damaged, liquid has been spilled or objects have fallen into the apparatus, the apparatus has been exposed to rain or moisture, does not operate normally, or has been dropped.



- The apparatus draws nominal non-operating power from the AC outlet with its POWER or STANDBY/ON switch not in the ON position.
- The mains plug is used as the disconnect device, the disconnect device shall remain readily operable.
- Caution should be taken when using earphones or headphones with the product because excessive sound pressure (volume) from earphones or headphones can cause hearing loss.

CAUTION

- Do not expose this apparatus to drips or splashes.
- Do not place any objects filled with liquids, such as vases, on the apparatus.
- Do not install this apparatus in a confined space such as a book case or similar unit.
- The apparatus should be located close enough to the AC outlet so that you can easily reach the power cord plug at any time.

IN USA/CANADA, USE ONLY ON 120 V SUPPLY.

Model for USA

This equipment has been tested and found to comply with the limits for a Class B digital device, pursuant to Part 15 of the FCC Rules. These limits are designed to provide reasonable protection against harmful interference in a residential installation. This equipment generates, uses, and can radiate radio frequency energy and, if not installed and used in accordance with the instructions, may cause harmful interference to radio communications. However, there is no guarantee that interference will not occur in a particular installation. If this equipment does cause harmful interference to radio or television reception, which can be determined by turning the equipment off and on, the user is encouraged to try to correct the interference by one or more of the following measures:

- Reorient or relocate the equipment and/or the receiving antenna.
- Increase the separation between the equipment and receiver.
- Connect the equipment into an outlet on a circuit different from that to which the receiver is connected.
- Consult the dealer or an experienced radio/TV technician for help.

Declaration of Conformity



Responsible party: TEAC AMERICA, INC.
Address: 1834 Gage Road, Montebello, California, U.S.A.
Telephone number : 1-323-726-0303

This device complies with Part 15 of the FCC Rules. Operation is subject to the following two conditions: (1) this device may not cause harmful interference, and (2) this device must accept any interference received, including interference that may cause undesired operation.

Model for Canada

Industry Canada's Compliance Statement:
This Class B digital apparatus complies with Canadian ICES-003.

DECLARATION OF CONFORMITY

Hereby, TEAC Corporation declares that the product complies with the European Directives request and the other Commission Regulations.




CAUTION

Changes or modifications not expressly approved by the party responsible for compliance could void the user's authority to operate the equipment.

For European Customers

Disposal of electrical and electronic equipment and batteries and/or accumulators

- a) All electrical/electronic equipment and waste batteries/accumulators should be disposed of separately from the municipal waste stream via collection facilities designated by the government or local authorities.
 - b) By disposing of electrical/electronic equipment and waste batteries/accumulators correctly, you will help save valuable resources and prevent any potential negative effects on human health and the environment.
 - c) Improper disposal of waste electrical/electronic equipment and batteries/accumulators can have serious effects on the environment and human health because of the presence of hazardous substances in the equipment.
 - d) The Waste Electrical and Electronic Equipment (WEEE) symbols, which show wheeled bins that have been crossed out, indicate that electrical/electronic equipment and batteries/accumulators must be collected and disposed of separately from household waste.



If a battery or accumulator contains more than the specified values of lead (Pb), mercury (Hg), and/or cadmium (Cd) as defined in the Battery Directive (2006/66/EC), then the chemical symbols for those elements will be indicated beneath the WEEE symbol.
- e) Return and collection systems are available to end users. For more detailed information about the disposal of old electrical/electronic equipment and waste batteries/accumulators, please contact your city office, waste disposal service or the shop where you purchased the equipment.

Table of contents

Thank you for choosing TEAC.

Read this manual carefully to get the best performance from this unit.

After reading it, keep it in a safe place for future reference.

IMPORTANT SAFETY INSTRUCTIONS	3
Before use	4
Handling records	5
Notes about record styluses	5
Preparing the record player	6
Dust cover	8
Changing the cartridge	8
Names and functions of parts	8
Connections	9
Basic operation	9
Recording with a computer	10
Troubleshooting	11
Specifications	12

Apple, Mac, Mac OS and OS X are trademarks of Apple Inc., registered in the U.S. and other countries.

Microsoft and Windows are either registered trademarks or trademarks of Microsoft Corporation in the United States and/or other countries.

Other company names, product names and logos in this document are the trademarks or registered trademarks of their respective owners.

Before use

Included items

Check to be sure the box includes all the supplied accessories shown below. Please contact the store where you purchased this unit if any of these accessories are missing or have been damaged during transportation.

- Turntable mat × 1
- 45 RPM adapter × 1
- Counterweight × 1
- Headshell × 1
 - Audio-Technica VM Type (dual magnet) stereo cartridge (equivalent to AT100E) preinstalled
- Turntable × 1
- Pulley cover × 1
- Washers × 4
- Hex wrench × 1
- RCA audio cable with ground terminal × 1
- AC adapter (GPE053A-V120050-Z) × 1
- Owner's manual (this document, including warranty) × 1
 - Keep this manual in a safe place for future reference.
 - The warranty for the United States and Canada is on the back cover. See page 73 for warranty provisions. See page 74 for information about the warranty in Europe and other countries or areas.

Precautions for use

- Do not place anything on the dust cover. Objects on the cover might cause noise due to vibrations or fall off, especially during playback.
- Avoid placing the unit in direct sunlight, close to a source of heat or in other similar conditions. Do not place the unit on top of an amplifier or other equipment that might generate heat that exceeds the operating temperature range of this unit. Doing so could cause discoloration, deformation or malfunction.

Handling records

Product registration

Customers in the USA, please visit the following TEAC website to register your TEAC product online.

<http://audio.teac.com/support/registration/>

Using the TEAC Global Site

You can download updates for this unit from the TEAC Global Site: <http://teac-global.com/>

- 1) Open the TEAC Global Site.
- 2) In the TEAC Downloads section, click the desired language to open the Downloads website page for that language.

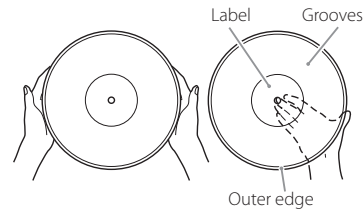
NOTE

If the desired language does not appear, click Other Languages.

- 3) Click the "Search by Model Name" section to open the Downloads page for that product. (Users in Europe should click the product name in the "Products" section instead.)
- 4) Select and download the updates that are needed.

Holding records

When holding a record or removing it from its sleeve, avoid touching the grooves by holding the record by its label and edge with one hand or by holding it by its edge with both hands.



Cleaning

- Fingerprints and dust on a record can cause noise and the sound to skip, as well as damage the record itself and the stylus. Use a commercially available record cleaner to clean records. Do not use thinner or anything other than a record cleaner. Such chemicals could harm the surface of the record.
- When using a record cleaner, wipe the surface of the record in a circular motion, following the grooves.



Precautions

- Do not leave records in places that are exposed to direct sunlight or are very hot or very humid. Leaving a record in such a condition for a long time could result in warping or other damage.
- Do not stack multiple records or place heavy objects on top of them. Do not leave records at an angle for long amounts of time either. Doing so could result in warping or other damage.
- Do not allow hard objects to directly touch the audio grooves. Doing so could cause scratches.
- After you finish playing a record, always put it back into its sleeve for storage. Leaving a record unprotected could result in warping or scratching.
- Do not use cracked records.

Notes about record styluses

- Record styluses are precision parts, so handle them carefully to avoid bending or damaging their tips. If a stylus becomes bent or damaged, it might not be able to follow the audio groove
- They could damage records or cause other malfunction.
- If a stylus becomes dirty, use a commercially available stylus cleaner or similar product to clean it.
- Do not rub the stylus tip forcefully with anything hard. Do not wipe the stylus with thinner or other chemicals. Doing so could harm it.

Replacing the stylus

Please use an Audio-Technica ATN100E replacement needle.

- The cartridge installed in this unit is equivalent to the Audio-Technica AT100E VM Type cartridge. (The replacement needle for the installed cartridge is green. It does not have an Audio-Technica mark.)
Note: VM type cartridges have the same characteristics as MM type cartridges.
- Follow the replacement instructions in the manual of the replacement stylus.

CAUTION

- Since loud noises could suddenly occur, put the unit into standby before changing the stylus.
- Be careful not to hurt your hand or the equipment.
- Be careful not to allow small children to accidentally swallow styluses.

Preparing the record player

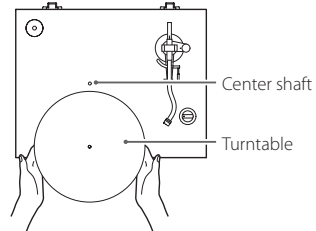
Keep the unit in standby while setting it up (E on page 9).

1 Place it on a flat surface.

2 Install the turntable.

Align the turntable with the center shaft and install it.

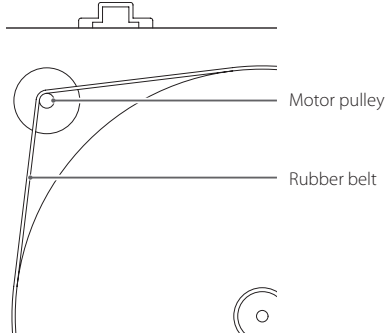
- Place the large side of the hole down.



3 Loop the belt around the motor pulley.

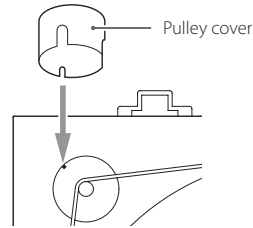
Loop the included rubber belt around the outside of the turntable, and then loop the belt around the motor pulley.

- Be careful not to let the rubber become twisted.
- Rotate the turntable several times to make sure that it is secure.



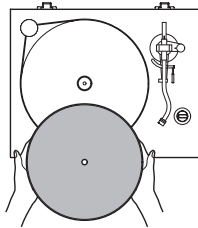
4 Install the pulley cover.

Align the small cutout in the pulley cover with the small protuberance on the pulley, as shown in the illustration below. If these are not aligned, the pulley cover will slant.



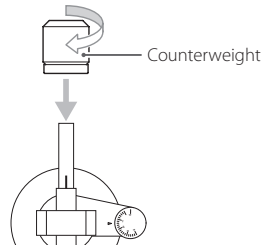
5 Place the turntable mat on the turntable.

Place the mat that is included with the turntable on it before use.



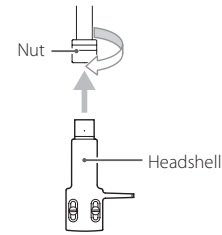
6 Install the counterweight.

Place the counterweight over the end of the tone arm, and press it gently as you turn it right to attach it.



7 Install the headshell.

Insert the headshell on the end of the tone arm and turn the nut to secure it in place.



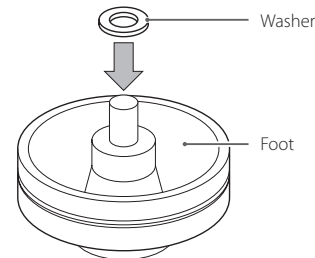
Confirming levelness and fine-tuning

In order to confirm the level placement of the turntable, we recommend using, for example, a commercially-available turntable leveling device. If the turntable is not level, follow the procedures below to adjust the heights of the feet to level the unit.

- If the slant is too great, the following method might not be able to correct it.

1 Turn the foot on the low side counter-clockwise to remove it.

2 Attach one of the included washers.

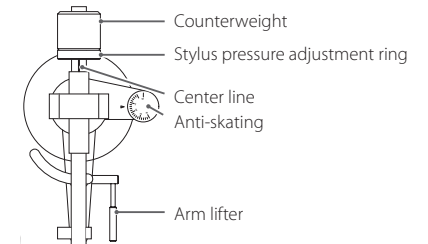


3 Reattach the foot in its original position.

4 Press down on the four corners of the unit to confirm that the weight is distributed evenly on the four feet.

If one of the feet is wobbly, attach a washer to it as explained above and adjust its height.

Balancing the tone arm and adjusting the stylus pressure

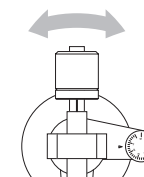


1 Set the anti-skating dial to zero.

2 Raise the arm lifter and shift the tone arm to the left slightly.

3 Lower the arm lifter.

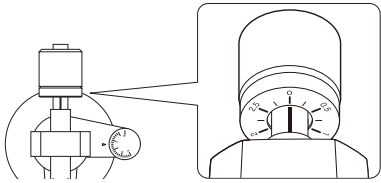
4 Turn the counterweight and adjust so that the tone arm is level.



- Lower the protector to prevent damage to the cartridge stylus before making adjustments.
- Be careful not to let the cartridge stylus touch the unit.

5 Return the tone arm to its original position, and place it on the tone arm holder.

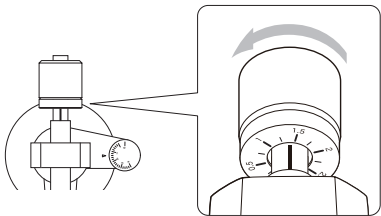
6 Turn the stylus pressure adjustment ring so that the center line aligns with 0 on the scale.



- Only turn the ring. Be careful not to let the counterweight turn.

7 Turn the counterweight so that the stylus pressure adjustment ring scale matches the stylus pressure specified for the cartridge.

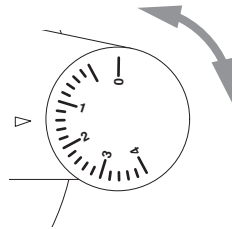
- The stylus pressure of the included cartridge is 1.4 g. So, turn it to 1.4 on the counterweight scale when using the included cartridge.



- Turn it right from 0 in the direction of 0.5 and 1.0.

8 Adjust the anti-skating dial.

Start with it set at 1.4 and adjust it during record playback (page 9) to the position where the left and right volumes are balanced.



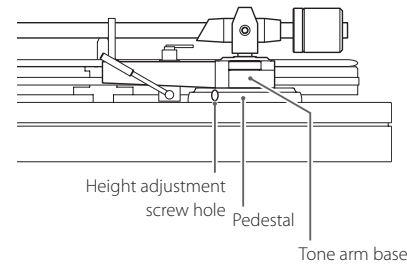
Adjusting the tone arm height

Follow the procedures below to adjust the tone arm height if it is not level during record playback after changing the cartridge or headshell.

1 Place a record on the turntable, and put the record needle on the edge of the record.

- Do not let the turntable turn.

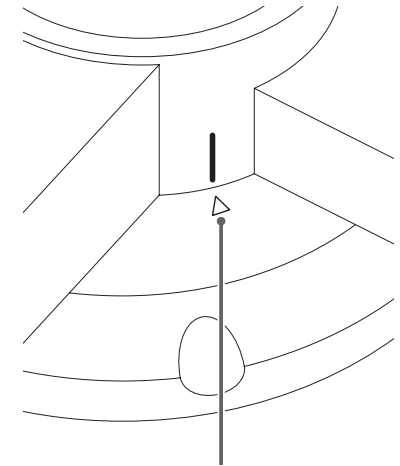
2 Insert the included hex wrench into the height adjustment screw hole and turn it counterclockwise to unlock the tone arm base.



3 Hold the tone arm base, and adjust the height to make the tone arm level.

- Be careful not to let the tone arm move right or left when adjusting the height.

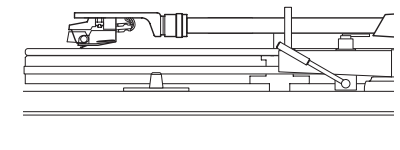
4 Turn the hex wrench clockwise to lock the tone arm base.



Alignment position

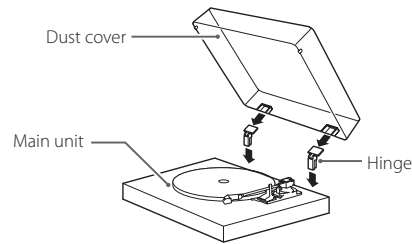
That tone arm base can move left and right relative to the pedestal. Align the guideline (white) on the tone arm base to the ▲ mark on the pedestal before locking it.

5 Play the record and confirm that the tone arm is now level.



Dust cover

Attaching the dust cover



1 Insert the hinges completely into the hinge holders at the left and right ends of the back of the main unit.

2 Align the tops of the hinges with the dust cover hinge holders and insert them.

Removing the dust cover

Hold both edges of the dust cover and lift it slowly to remove it along with the hinges from the unit. Then, remove the hinges from the dust cover.

Opening and closing the dust cover

Opening

Hold the front edge of the dust cover and gently lift it open completely until it stops. The dust cover will stay open in this position.

Closing

Gently lower the dust cover until it is closed.

⚠ Be careful not to pinch your hand, for example, when opening and closing the dust cover.

Changing the cartridge

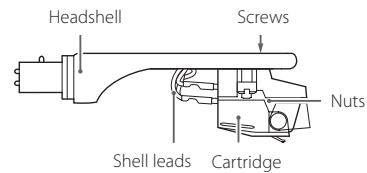
To change the cartridge, first remove the headshell from the tone arm.

- The cartridge installed in this unit is equivalent to the Audio-Technica AT100E VM Type cartridge. (The replacement needle for the installed cartridge is green. It does not have an Audio-Technica mark.)

NOTE

VM type cartridges have the same characteristics as MM type cartridges.

- We recommend that you lower the cartridge stylus protector before doing this task.

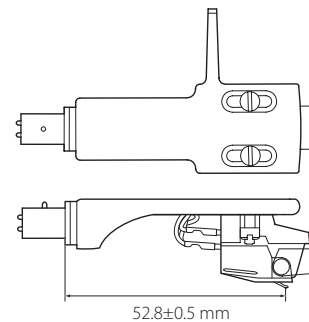


1 Disconnect the shell lead terminals from the cartridge.

2 Loosen the screws and remove the cartridge.

3 Attach the new cartridge and tighten the screws.

See the illustration below for the position of the screws when attached.



4 Connect the shell lead terminals to the cartridge.

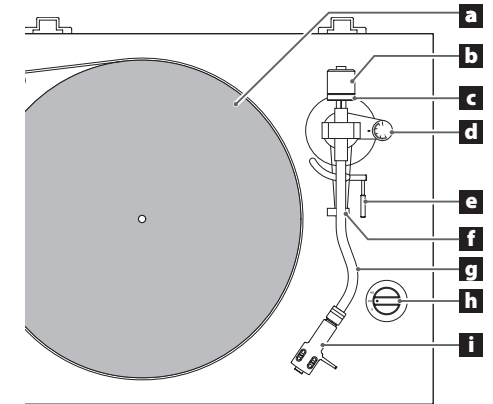
- The signals and colors of the shell leads are shown below.

Signal	Color
Left channel +	White
Left channel -	Blue
Right channel +	Red
Right channel -	Green

5 Balance the tone arm and adjust the stylus pressure.

Follow the procedures in "Balancing the tone arm and adjusting the stylus pressure" on page 6.

Names and functions of parts



a Turntable

Place records centered on the turntable.

b Counterweight

c Stylus pressure adjustment ring

d Anti-skating dial

e Arm lifter

Using this arm lifter is safer and more certain than using a finger when lowering the needle tip to the record surface, as well as when raising it.

f Tone arm holder

This is a rest for the tone arm.

g Tone arm

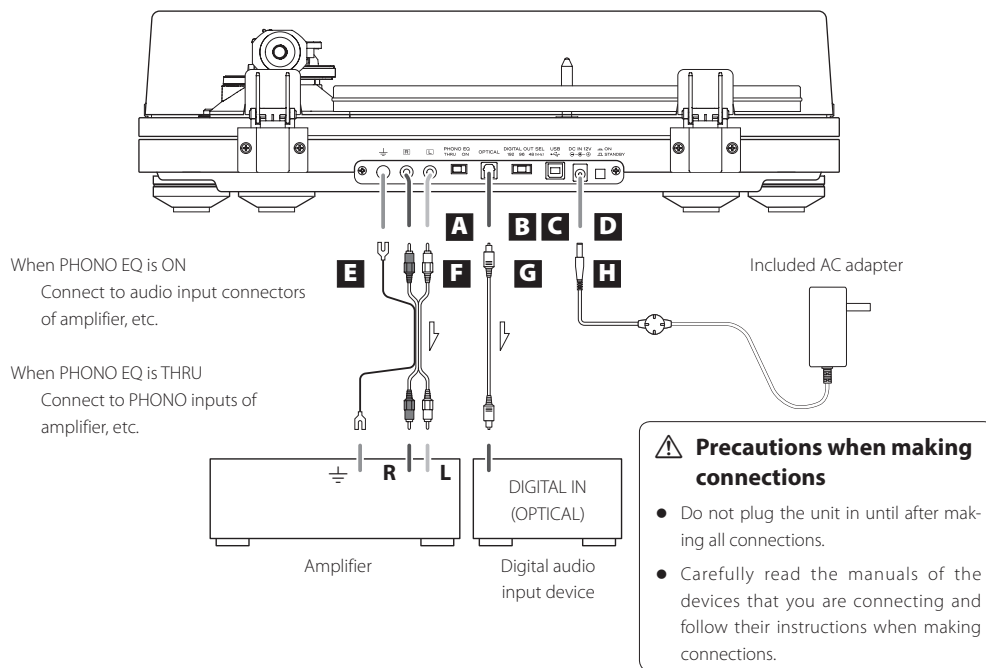
h Rotation speed setting knob

Set the rotation speed (RPM) suitable for the record. Rotation will stop when this is set to 0.

i Headshell

This is a universal type that allows the cartridge to be changed easily.

Connections



A PHONO EQ (audio output setting) switch

ON

Signals that have been amplified by the built-in phono equalizer amp, which supports MM cartridges, are output from the analog audio output connectors (L/R).

THRU

The MC or MM cartridge signal is output directly through the analog audio output connectors (L/R). Use this when connecting to equipment that has PHONO inputs.

- When shipped new from the factory, this is set to ON.
- Set this to ON if a device is connected to the OPTICAL digital audio output connector or the USB port.

CAUTION

When set to ON, if connected to the PHONO inputs of an amplifier, for example, the output from speakers and headphones will be very loud, which could damage equipment or harm hearing.

B Digital output selection switch (DIGITAL OUT SEL)

Use to select the sampling frequency of the optical digital output.

- The maximum sampling frequency supported is 192 kHz.

C USB port (USB B type)

Connect this to the USB port of a computer to convert the audio signal from this unit to digital and output it to the computer (page 10).

D STANDBY/ON button

Press the STANDBY/ON button to turn the unit on or put it in standby.

E Grounding connector (⏏)

Use the grounding wire of the included RCA audio cable to connect this connector to the grounding connector of the amplifier, for example.

- This is NOT an electrical safety ground.

- If connecting the grounding wire of the audio cable to the grounding connector of this unit does not reduce noise, disconnect the grounding wire and check the sound again. Use the method (connected/disconnected) that has the least noise.

F Analog audio output connectors (L/R)

These output analog audio signals. The PHONO EQ switch setting changes the type of output signal. Use the included RCA audio cable to connect other equipment to the output connectors of this unit.

G OPTICAL digital audio output connector

This outputs digital audio. Connect this to the optical audio input connector of a device capable of receiving digital audio. **Use a commercially-available TOSLINK optical digital cable to make the connection.**

H DC input connector

After completing all other connections, connect the included AC adapter to this connector. Confirm that the power plug of the AC adapter is plugged into a power outlet.

- Unplug the power cord from the outlet when you are not planning to use the unit for an extended period of time.
- Do not use any AC adapter other than the one included.

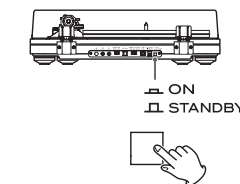
Be sure to connect the power cord to an AC outlet that supplies the correct voltage. Connection to an outlet that supplies incorrect voltage could cause fire or electric shock.

Hold the power plug when plugging it into an outlet or unplugging it. Never pull or yank on the power cord. Unplug the power cord from the outlet when you are not planning to use the unit for an extended period of time.

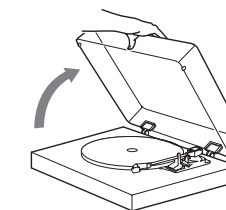
Basic operation

Playing records

- Press the STANDBY/ON button on the back of the unit to turn it on.

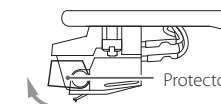


- Open the dust cover slowly.



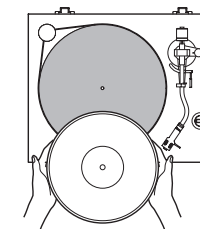
- Be careful not to pinch your hand, for example, when opening and closing the dust cover.

- Raise the cartridge protector.



- Place a record on the turntable.

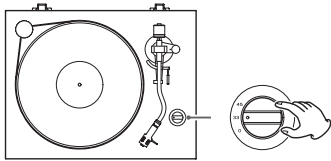
When playing a 45 RPM large-hole single record, use the included adapter.



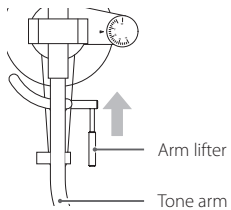
Basic operation (continued)

5 Set the RPM according to the record and start the turntable.

The rotation speed can be set to 33 1/3 or 45 RPM.

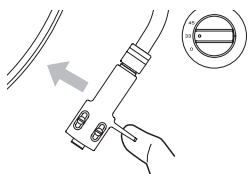


6 Raise the arm lifter.



- You can also move the tone arm to above the record without raising the arm lifter and then slowly lower the tone arm to start playback.

7 Move the tone arm to the edge of the record or the track where you want to start playback.



8 Lower the arm lifter.

Lower the tone arm slowly until the stylus touches the record and playback begins.

- We recommend that you close the dust cover during record playback to avoid dust.

⚠ Do not place anything on top of the dust cover.

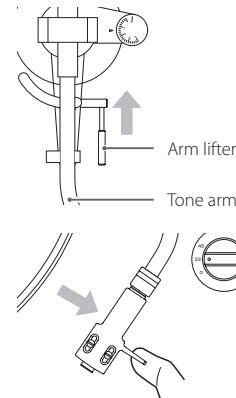
CAUTION

- During playback, do not touch the tone arm or the rotating record.
- Do not stop turntable rotation during playback.

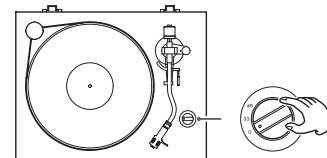
During record playback, feedback could occur if the volume is too loud. If this happens, lower the volume of the amplifier.

When playback finishes

1 Raise the arm lifter to separate the needle from the record, and return the tone arm to its original position.



2 Turn the rotation speed setting knob to 0 to stop the turntable.



Recording with a computer

Connect this record player to a computer using a commercially-available USB cable to convert audio signals from a record to digital data and send them to the computer.

Supported operating systems

Computers running the following operating systems can be connected by USB to this unit (as of November 2015).

Windows OS

- Windows 7 (32-bit, 64-bit)
- Windows 8 (32-bit, 64-bit)
- Windows 8.1 (32-bit, 64-bit)
- Windows 10 (32-bit, 64-bit)

Mac OS X

- OS X Lion 10.7
- OS X Mountain Lion 10.8
- OS X Mavericks 10.9
- OS X Yosemite 10.10
- OS X El Capitan 10.11

Use with operating systems other than these is not guaranteed.

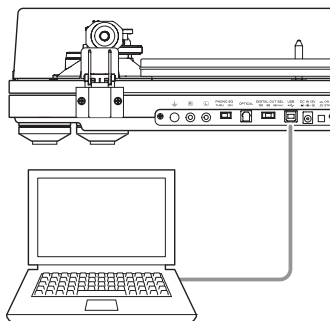
- This unit will run with the standard OS driver, so there is no need to install a special driver.

Connecting with a computer

1 Turn the computer on.

Confirm that the operating system is working correctly.

2 Use the USB cable to connect the computer and this unit.



- Use a commercially-available USB cable with a ferrite core when connecting the unit to a computer.

3 Press this unit's STANDBY/ON button to turn it on.

When they are connected, the computer will automatically detect this unit's USB port and identify it as "USB Audio CODEC".

- To record audio from this record player using a computer, you must first install software that can be used for audio recording on the computer.

You may purchase the audio recording software that you prefer separately or download free software, such as Audacity (<http://audacity.sourceforge.net/>), from the Internet.

As free software, Audacity is not supported by TEAC.

- When connected to a computer by USB and recording audio, do not do any of the following. Doing so could cause the computer to malfunction. Always quit the computer recording software before doing the following.
 - Disconnect the USB cable
 - Put the unit into standby

Computer settings

The following example explains the settings to make using Windows 7.

1 From the Start menu, select Control Panel.

2 Click "Sound".

3 Click the "Recording" tab, and confirm that "USB Audio CODEC" is set as the "Default Device".

4 Select "Microphone USB Audio CODEC", and click the Properties button.

5 Click the "Advanced" tab.

6 From the "Default Format" pull-down menu list, select the desired recording quality (format).

TIP

"2 channel, 16 bit, 48000 Hz (DVD quality)" provides high audio quality but also requires more file space. Recording with a lower sampling frequency reduces the audio quality but also uses less file space.

7 Click "OK".

Troubleshooting

If you experience a problem with this unit, please check the following items before requesting service. Something other than this unit could also be the cause of the problem. Please also check that the connected devices are also being used properly.

If it still does not operate correctly, contact the retailer where you purchased the unit.

No power.

- ➔ Confirm that the AC adapter is plugged into an outlet. Then, press the STANDBY/ON button to turn the unit on (page 9).

Volume is low.

- ➔ When connecting this unit's analog audio output connectors to the audio input connectors of an amplifier or other equipment, set the PHONO EQ (audio output setting) switch to ON (page 9).
- ➔ When not using this unit's phono equalizer amplifier, set the PHONO EQ (audio output setting) switch to THRU, and connect the analog audio output connectors (L/R) to the PHONO input connectors of an amplifier or other equipment. When using the included cartridge (equivalent to MM), connect them to PHONO input connectors compatible with MM type input. When using an MC cartridge, set the PHONO EQ (audio output setting) switch to THRU, and connect them to PHONO input connectors compatible with MC type input on the amplifier or other equipment. The PHONO input connectors of some equipment might be settable for use with either MM or MC type input. For details, refer to the operation manual of that equipment.

Playback is not possible; there is noise.

- ➔ Raise the protector (page 9).
- ➔ Clean the stylus (page 5).
- ➔ If the stylus is worn-out, replace it (page 5). The lifespan of a needle depends on the use conditions, but it is usually about 300 hours.
- ➔ Place the unit as far away as possible from TVs, microwave ovens and other devices that emit electromagnetic waves.

Noise occurs when a record is playing

- ➔ Noise could occur if the stylus pressure is higher than cartridge's specified value. Readjust the stylus pressure so that it is the specified value (page 6).

The pitch is wrong.

- ➔ Set the rotation speed (RPM) to match the record (page 9).

The sound is skipping.

- ➔ Vibrations will cause skipping. Place this unit in a stable location.
- ➔ If the record is dirty, wipe it clean.
- ➔ Do not use scratched records.
- ➔ Balance the tone arm and readjust the stylus pressure (page 6). If the stylus pressure is lower than the value designated by the cartridge, skipping is more likely to occur.

Specifications

Turntable

Drive system
Rotation detection type high-precision control belt drive
Motor..... DC motor
Rotation speed..... 33 1/3 rpm, 45 rpm
Rotation detection precision..... $\pm 0.05\%$ (33 1/3 rpm)
Wow and flutter..... 0.1%
SN ratio..... 67 dB or higher (A-weighted, 20 kHz LPF)
Turntable..... Acrylic, 30cm (12") diameter
Pedestal..... Artificial marble and wood

Tone arm

Arm type..... Static-balanced S-shaped tone arm
Effective arm length..... 223 mm
Stylus pressure variation range..... 0–5 g
Suitable cartridge weight..... 15–23 g
(including headshell)
Overhang..... 18 mm
Tracking error..... $\pm 3^\circ$ or less
Arm height adjustment range..... about 6 mm

Cartridge

Type..... VM (equivalent to MM)
Output voltage..... 4.5 mV (1 kHz, 5 cm/s)
Stylus pressure..... 1.4 ± 0.4 g
Cartridge weight..... 6.5 ± 0.2 g
Included headshell weight
10 g (including screws, nuts and wires)

- The lifespan of a needle depends on the use conditions but is usually about 300 hours.
- The cartridge installed in this unit is equivalent to the Audio-Technica AT100E VM Type cartridge. (The replacement needle for the installed cartridge is green. It does not have an Audio-Technica mark.)
Note: VM type cartridges have the same characteristics as MM type cartridges.

Output voltage

PHONO EQ THRU..... 4.5 mV ± 3 dB
PHONO EQ ON..... 230 mV (-13 dBV)
Output connectors..... RCA

USB port

USB 2.0 (Full Speed) standard compliant
USB connector type B
USB bus power support..... 5 V, 500 mA

- Use a commercially-available USB cable to connect the unit to a computer to receive power from it.

Sampling frequency
8 kHz, 11.025 kHz, 16 kHz, 22.05 kHz, 32 kHz, 44.1 kHz, 48 kHz
Quantization bit depth..... 16-bit

Optical digital audio output (OPTICAL)

Output..... -21.0 to -15.0 dBm
Sampling frequency..... 48 kHz, 96 kHz, 192 kHz
Quantization bit depth..... 24-bit

General

AC adapter power
Input..... AC 100–240 V, 50–60 Hz
Output..... 12 V, 500 mA
Power consumption
Standby..... 0.2 W or less
On
0..... 2.3 W or less
33..... 3 W or less
45..... 3.25 W or less
Weight..... 9 kg (19 7/8 lb)
Operating temperature range..... 5°C to 35°C
Dimensions (W \times H \times D) (including protrusions)
420 \times 131.5 \times 355 mm (16 5/8" \times 5 1/4" \times 14")

- Performance data is specified at 20°C .

Included accessories

Turntable mat \times 1
45 RPM adapter \times 1
Counterweight \times 1
Headshell \times 1
Audio-Technica VM Type (dual magnet) stereo cartridge (equivalent to AT100E) preinstalled
Turntable \times 1
Pulley cover \times 1
Washers \times 4
Hex wrench \times 1
RCA audio cable with ground terminal \times 1
AC adapter (GPE053A-V120050-Z) \times 1
Owner's manual (this document, including warranty) \times 1

- Specifications and appearance are subject to change without notice.
- Weight and dimensions are approximate.
- Illustrations in this owner's manual might differ slightly from production models.

INSTRUCTIONS DE SÉCURITÉ IMPORTANTES



CAUTION
RISK OF ELECTRIC SHOCK
DO NOT OPEN



ATTENTION : POUR RÉDUIRE LE RISQUE D'ÉLECTROCUTION, NE RETIREZ PAS LE CAPOT (OU L'ARRIÈRE). AUCUNE PIÈCE INTERNE N'EST RÉPARABLE PAR L'UTILISATEUR. CONFIEZ TOUTE RÉPARATION À UN SERVICE APRÈS-VENTE QUALIFIÉ.

Le symbole d'éclair à tête de flèche dans un triangle équilatéral sert à prévenir l'utilisateur de la présence dans l'enceinte du produit d'une « tension dangereuse » non isolée d'une grandeur suffisante pour constituer un risque d'électrocution pour les personnes.



Le point d'exclamation dans un triangle équilatéral sert à prévenir l'utilisateur de la présence d'instructions importantes de fonctionnement et de maintenance (entretien) dans les documents accompagnant l'appareil.



AVERTISSEMENT : POUR PRÉVENIR LES RISQUES D'INCENDIE ET D'ÉLECTROCUTION, N'EXPOSEZ PAS CET APPAREIL À LA PLUIE NI À L'HUMIDITÉ.

ATTENTION

- NE RETIREZ PAS LES CAPOTS EXTERNES OU BOÎTIERS POUR EXPOSER L'ÉLECTRONIQUE. AUCUNE PIÈCE INTERNE N'EST RÉPARABLE PAR L'UTILISATEUR.
- SI VOUS RENCONTREZ DES PROBLÈMES AVEC CE PRODUIT, CONTACTEZ LE MAGASIN OÙ VOUS AVEZ ACHETÉ L'UNITÉ. N'UTILISEZ PAS LE PRODUIT TANT QU'IL N'A PAS ÉTÉ RÉPARÉ.
- L'UTILISATION DE COMMANDES, DE RÉGLAGES OU LE SUIVI DE PROCÉDURES AUTRES QUE CE QUI EST DÉCRIT DANS CE DOCUMENT PEUT PROVOQUER UNE EXPOSITION À UN RAYONNEMENT DANGEREUX.

- 1) Lisez ces instructions.
- 2) Conservez ces instructions.
- 3) Tenez compte de tous les avertissements.
- 4) Suivez toutes les instructions.
- 5) N'utilisez pas cet appareil avec de l'eau à proximité.
- 6) Ne nettoyez l'appareil qu'avec un chiffon sec.
- 7) Ne bloquez aucune ouverture de ventilation. Installez-le conformément aux instructions du fabricant.

- 8) N'installez pas l'appareil près de sources de chaleur telles que des radiateurs, bouches de chauffage, poêles ou autres appareils (y compris des amplificateurs) dégageant de la chaleur.
- 9) Ne neutralisez pas la fonction de sécurité de la fiche polarisée ou de terre. Une fiche polarisée a deux broches, l'une plus large que l'autre. Une fiche de terre a deux broches identiques et une troisième broche pour la mise à la terre. La broche plus large ou la troisième broche servent à votre sécurité. Si la fiche fournie n'entre pas dans votre prise, consultez un électricien pour le remplacement de la prise obsolète.
- 10) Évitez de marcher sur le cordon d'alimentation et de le pincer, en particulier au niveau des fiches, des prises secteur, et du point de sortie de l'appareil.
- 11) N'utilisez que des fixations/accessoires spécifiés par le fabricant.
- 12) Utilisez-le uniquement avec des chariots, socles, trépieds, supports ou tables spécifiés par le fabricant ou vendus avec l'appareil. Si un chariot est utilisé, faites attention à ne pas être blessé par un renversement lors du déplacement de l'ensemble chariot/appareil.
- 13) Débranchez cet appareil en cas d'orage ou de non utilisation prolongée.
- 14) Confiez toute réparation à des techniciens de maintenance qualifiés. Une réparation est nécessaire si l'appareil a été endommagé d'une quelconque façon, par exemple si le cordon ou la fiche d'alimentation est endommagé, si du liquide a été renversé sur l'appareil ou si des objets sont tombés dedans, si l'appareil a été exposé à la pluie ou à l'humidité, s'il ne fonctionne pas normalement, ou s'il est tombé.



- L'appareil tire un courant nominal de veille de la prise secteur quand son interrupteur POWER ou STANDBY/ON n'est pas en position ON.
- La fiche secteur est utilisée comme dispositif de déconnexion et doit donc toujours rester disponible.
- Des précautions doivent être prises en cas d'utilisation d'écouteurs ou d'un casque avec le produit car une pression sonore excessive (volume trop fort) dans les écouteurs ou dans le casque peut causer une perte auditive.

ATTENTION

- N'exposez pas cet appareil aux gouttes ni aux éclaboussures.
- Ne placez pas d'objet rempli de liquide sur l'appareil, comme par exemple un vase.
- N'installez pas cet appareil dans un espace confiné comme une bibliothèque ou un meuble similaire.
- L'appareil doit être placé suffisamment près de la prise de courant pour que vous puissiez à tout moment attraper facilement la fiche du cordon d'alimentation.

AUX USA/CANADA, UTILISEZ UNIQUEMENT UNE TENSION D'ALIMENTATION DE 120 V.

Modèle pour le Canada

Déclaration de conformité d'Industrie Canada :
CET APPAREIL NUMÉRIQUE DE LA CLASSE B EST CONFORME À LA NORME NMB-003 DU CANADA

DÉCLARATION DE CONFORMITÉ

Par la présente, TEAC Corporation déclare que le produit est en conformité avec les exigences des directives européennes et des réglementations de la Commission.



ATTENTION

Les changements ou modifications non expressément approuvés par la partie responsable de la conformité peuvent invalider le droit de l'utilisateur à faire fonctionner l'équipement.

Pour les consommateurs européens

Mise au rebut des équipements électriques et électroniques et des piles et/ou accumulateurs



- a) Tout équipement électrique/électronique et pile/accumulateur hors d'usage doit être traité séparément de la collecte municipale d'ordures ménagères dans des points de collecte désignés par le gouvernement ou les autorités locales.
- b) En vous débarrassant correctement des équipements électriques/électroniques et piles/accumulateurs hors d'usage, vous contribuerez à la sauvegarde de précieuses ressources et à la prévention de potentiels effets négatifs sur la santé humaine et l'environnement.
- c) Le traitement incorrect des équipements électriques/électroniques et piles/accumulateurs hors d'usage peut avoir des effets graves sur l'environnement et la santé humaine en raison de la présence de substances dangereuses dans les équipements.
- d) Le symbole de déchets d'équipements électriques et électroniques (DEEE), qui représente une poubelle à roulettes barrée d'une croix, indique que les équipements électriques/électroniques et piles/accumulateurs doivent être collectés et traités séparément des déchets ménagers.
Si une pile ou un accumulateur contient plus que les valeurs de plomb (Pb), mercure (Hg) et/ou cadmium (Cd) spécifiées dans la directive sur les piles et accumulateurs (2006/66/CE), alors les symboles chimiques de ces éléments seront indiqués sous le symbole DEEE.


- e) Des systèmes de retour et de collecte sont disponibles pour l'utilisateur final. Pour des informations plus détaillées sur la mise au rebut des vieux équipements électriques/électroniques et piles/accumulateurs hors d'usage, veuillez contacter votre mairie, le service d'ordures ménagères ou le magasin dans lequel vous avez acquis l'équipement.

Table des matières

Nous vous remercions d'avoir choisi TEAC.

Lisez ce mode d'emploi avec attention pour tirer les meilleures performances de cette unité.

Après l'avoir lu, gardez-le en lieu sûr pour vous y référer ultérieurement.

INSTRUCTIONS DE SÉCURITÉ IMPORTANTES	13
Avant l'utilisation	14
Manipulation des disques	15
Notes sur les pointes pour disque	15
Préparation de la platine	16
Couvercle de la platine	18
Changement de cellule	18
Nomenclature et fonctions des parties	18
Branchements	19
Fonctionnement de base	19
Enregistrement avec un ordinateur	20
Guide de dépannage	21
Caractéristiques techniques	22

Apple, Mac, Mac OS and OS X are trademarks of Apple Inc., registered in the U.S. and other countries.

Microsoft and Windows are either registered trademarks or trademarks of Microsoft Corporation in the United States and/or other countries.

Les autres noms de société, noms de produit et logos présents dans ce document sont des marques commerciales ou déposées de leurs détenteurs respectifs.

Avant l'utilisation

Éléments fournis

Vérifiez que vous disposez bien de tous les accessoires représentés ci-dessous. Veuillez contacter le magasin dans lequel vous avez acheté cette unité si l'un de ces accessoires manque ou a été endommagé durant le transport.

- Tapis de platine × 1
- Adaptateur 45 tr/min × 1
- Contrepoids × 1
- Porte-cellule × 1
 - Cellule stéréo Audio-Technica préinstallée de type VM (double aimant) (équivalente à l'AT100E)
- Plateau × 1
- Cache-poulie × 1
- Rondelles × 4
- Clé hexagonale × 1
- Câble audio RCA avec borne de masse × 1
- Adaptateur secteur (GPE053A-V120050-Z) × 1
- Mode d'emploi (ce document, y compris la garantie) × 1
 - Conservez ce mode d'emploi dans un endroit sûr pour vous y référer ultérieurement.
 - La garantie pour les États-Unis et le Canada se trouve au dos de la couverture. Voir page 73 les dispositions de la garantie.
Voir page 74 les informations concernant la garantie en Europe et dans d'autres pays ou régions.

Précautions d'emploi

- Ne placez rien sur le couvercle de la platine. Les objets posés sur le couvercle peuvent provoquer du bruit dû aux vibrations ou tomber, en particulier lors de la lecture.
- Évitez d'exposer l'unité directement au soleil, de la placer près d'une source de chaleur ou dans d'autres conditions similaires. Ne l'installez pas au-dessus d'un amplificateur ou d'un équipement pouvant dégager une chaleur qui dépasse la température de fonctionnement de cette unité. Cela pourrait causer une décoloration, une déformation ou un mauvais fonctionnement.

Manipulation des disques

Utilisation du site mondial TEAC

Vous pouvez télécharger des mises à jour pour cette unité depuis le site mondial TEAC : <http://teac-global.com/>

- 1) Allez sur le site mondial TEAC.
- 2) Dans la section TEAC Downloads (téléchargements TEAC), cliquez sur la langue souhaitée afin d'ouvrir la page de téléchargement du site web pour cette langue.

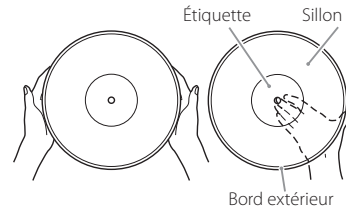
NOTE

Si la langue désirée n'apparaît pas, cliquez sur Other Languages (autres langues).

- 3) Cliquez sur la section « Search by Model Name » (recherche par nom de modèle) afin d'ouvrir la page Downloads (téléchargement) pour ce produit (les utilisateurs en Europe doivent cliquer sur le nom du produit dans la section « Products » (produits)).
- 4) Sélectionnez et téléchargez les mises à jour nécessaires.

Tenue des disques

Lors de la prise en mains d'un disque ou de sa sortie de la pochette, évitez de toucher le sillon en maintenant le disque d'une main entre son étiquette et son bord, ou en le tenant avec les deux mains par son bord.



Nettoyage

- Les traces de doigts et la poussière sur un disque peuvent provoquer du bruit et des sautes de son, ainsi qu'endommager le disque lui-même et la pointe. Utilisez un nettoyant pour disque du commerce pour nettoyer les disques. N'utilisez pas de diluant ni autre chose qu'un nettoyant pour disque. De tels produits chimiques pourraient abîmer la surface du disque.
- Lors de l'utilisation d'un nettoyant pour disque, balayez la surface du disque de façon circulaire, en suivant le sillon.



Précautions

- Ne laissez pas les disques dans des lieux exposés directement à la lumière du soleil ou très humides ou très chauds. Laisser longtemps un disque dans de telles conditions peut le faire gondoler ou lui causer d'autres dommages.
- N'empilez pas plusieurs disques et ne placez pas d'objets lourds dessus. Ne laissez pas non plus les disques de façon prolongée en position inclinée. Cela pourrait faire gondoler ou leur causer d'autres dommages.
- Ne laissez pas des objets durs entrer en contact direct avec le sillon audio. Cela pourrait entraîner des rayures.
- Une fois que vous avez fini de lire un disque, remplacez-le toujours dans sa pochette pour le rangement. Laisser un disque sans protection pourrait le faire gondoler ou le rayer.
- N'employez pas de disques fendus.

Notes sur les pointes pour disque

- Les pointes pour disque sont des pièces de précision à manipuler avec précaution pour éviter de tordre ou d'endommager leur extrémité. Si une pointe est tordue ou endommagée, elle peut ne plus être en mesure de suivre précisément le sillon audio et risque d'endommager les disques ou de causer d'autres dysfonctionnements.
- Si une pointe est sale, utilisez un nettoyant pour pointe du commerce ou un produit similaire pour la nettoyer.
- Ne frottez pas fort sur la pointe avec un objet dur. N'essuyez pas la pointe avec un diluant ou d'autres produits chimiques. Cela pourrait l'endommager.

Remplacement de la pointe

Veillez utiliser une pointe de rechange ATN100E Audio-Technica.

- La cellule installée dans cette unité est équivalente à la cellule AT100E de type VM Audio-Technica (la pointe de rechange pour la cellule installée est verte. Elle ne porte pas de marque Audio-Technica).
Note : les cellules de type VM ont les mêmes caractéristiques que les cellules de type MM.
- Suivez les instructions de remplacement dans le manuel de la pointe de rechange.

ATTENTION

- Comme de forts bruits pourraient soudainement se produire, mettez l'unité en veille avant de changer la pointe.
- Faites attention de ne pas abîmer vos mains ou l'équipement.
- Veillez à ne pas permettre à de petits enfants d'avaler accidentellement les pointes.

Préparation de la platine

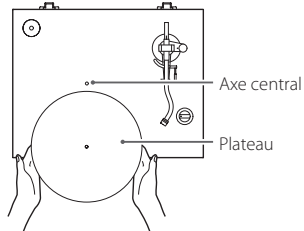
Maintenez l'unité en veille pendant son installation (E en page 19).

1 Placez-la sur une surface plane.

2 Installez le plateau.

Alignez le plateau avec l'axe central et installez-le.

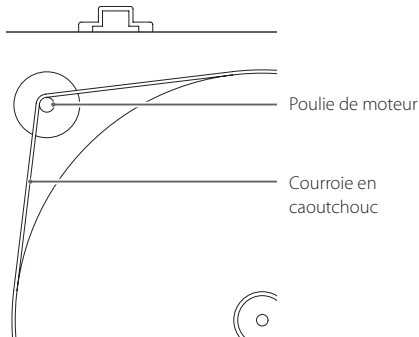
- Placez le grand côté de l'orifice vers le bas.



3 Enroulez la courroie autour de la poulie du moteur.

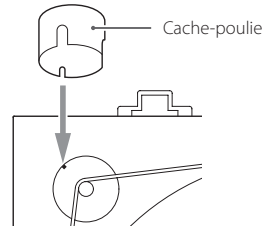
Enroulez la courroie en caoutchouc fournie sur le pourtour du plateau puis autour de la poulie du moteur.

- Faites bien attention à ne pas tordre le caoutchouc.
- Faites tourner plusieurs fois le plateau pour vous assurer que le montage est sûr.



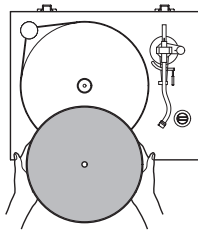
4 Installez le cache-poulie.

Alignez la petite découpe du cache-poulie avec la petite protubérance de la poulie, comme représenté ci-dessous. Si ces derniers ne sont pas alignés, le cache-poulie sera bancal.



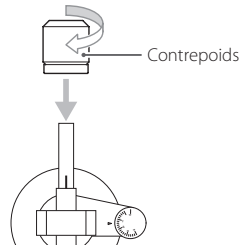
5 Placez le tapis de platine sur le plateau.

Placez le tapis fourni avec la platine sur celle-ci avant utilisation.



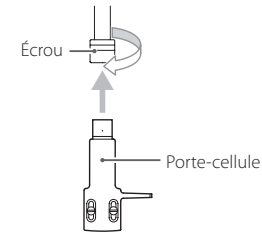
6 Installez les contrepoids.

Placez le contrepoids à l'extrémité du bras de lecture et pressez-le délicatement pendant que vous le tournez pour le fixer.



7 Installez le porte-cellule.

Insérez le porte-cellule à l'autre extrémité du bras de lecture et tournez l'écrou pour le verrouiller.



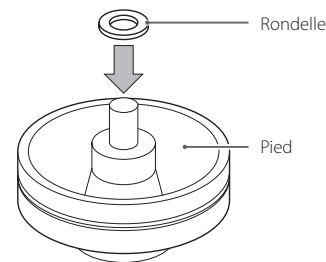
Confirmation de la planéité et ajustement

Pour vérifier que la platine est bien à plat, nous vous recommandons d'utiliser par exemple un niveau pour platine, disponible dans le commerce. Si la platine n'est pas de niveau, suivez les procédures ci-dessous pour corriger cela en ajustant la hauteur de ses pieds.

- Si l'inclinaison est trop forte, la méthode suivante risque d'être insuffisante pour la corriger.

1 Tournez le pied dans le sens antihoraire pour le retirer.

2 Montez une des rondelles fournies.

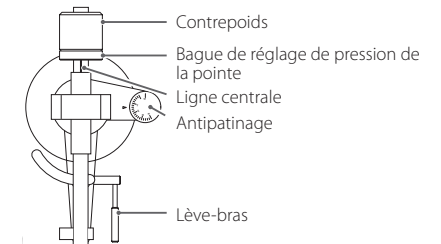


3 Revissez le pied à son emplacement d'origine.

4 Appuyez sur les quatre coins de l'unité pour confirmer que le poids est équitablement réparti entre les quatre pieds.

Si la platine est bancal, montez une rondelle sur le pied concerné comme expliqué ci-dessus et réglez sa hauteur.

Équilibrage du bras de lecture et réglage de la pression de la pointe

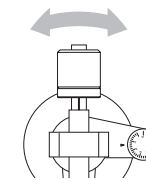


1 Réglez la molette d'antipatinage sur zéro.

2 Soulevez le lève-bras et poussez légèrement le bras de lecture vers la gauche.

3 Rabaissez le lève-bras.

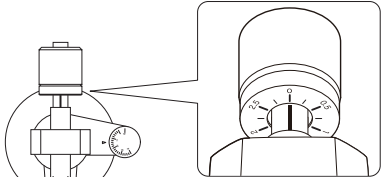
4 Tournez le contrepoids jusqu'à ce que le bras de lecture soit à l'horizontale.



- Baissez le capuchon de protection avant de faire les réglages pour éviter d'endommager la pointe de la cellule.
- Veillez bien à ne pas laisser la pointe de la cellule toucher l'unité.

5 Ramenez le bras de lecture à sa position d'origine et posez-le sur son support.

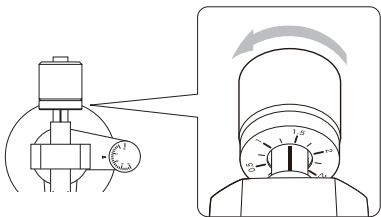
6 Tournez la bague de réglage de pression de la pointe pour que la ligne centrale s'aligne avec le 0 sur la graduation.



- Ne tournez que la bague de réglage. Veillez à ne pas faire tourner le contrepois.

7 Tournez le contrepois afin que la graduation de la bague de réglage de pression de la pointe corresponde à la valeur de pression de pointe spécifiée pour la cellule.

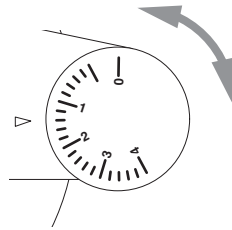
- La pression de pointe pour la cellule fournie est de 1,4 g.
Donc, tournez le contrepois jusqu'à la graduation 1,4 si vous utilisez la cellule fournie.



- Tournez-le vers la droite depuis 0 vers 0,5 et 1,0.

8 Réglez la molette d'antipatinage.

Commencez en la réglant à 1,4 et ajustez-la durant la lecture d'un disque (page 19) sur la position qui donne un bon équilibre pour les volumes gauche et droit.



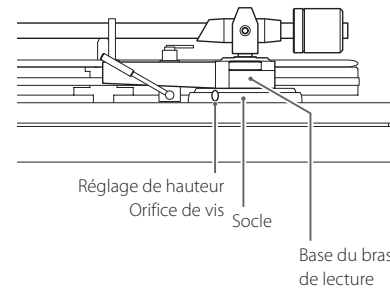
Réglage de la hauteur du bras de lecture

Suivez les procédures ci-dessous pour régler la hauteur du bras de lecture s'il n'est pas à niveau durant la lecture de disque après avoir changé la cellule ou le porte-cellule.

1 Posez un disque sur le plateau et placez la pointe sur le bord du disque.

- Ne faites pas tourner le plateau.

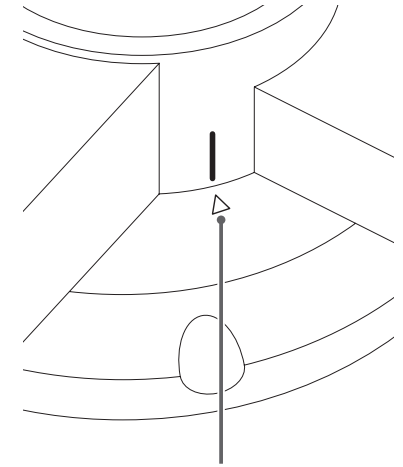
2 Insérez la clé hexagonale fournie dans l'orifice de réglage de hauteur et tournez dans le sens antihoraire pour déverrouiller la base du bras de lecture.



3 Maintenez la base du bras de lecture et réglez la hauteur pour que le bras de lecture soit de niveau.

- Faites attention de ne pas laisser le bras de lecture bouger à droite ou à gauche quand vous réglez la hauteur.

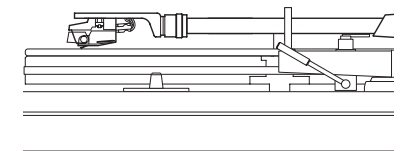
4 Tournez la clé hexagonale dans le sens horaire pour verrouiller la base du bras de lecture.



Position d'alignement

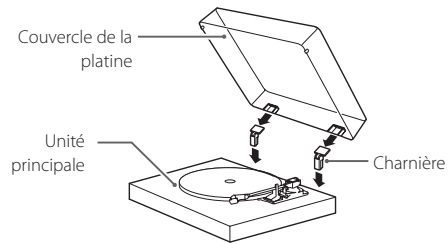
Cette base de bras de lecture peut bouger à gauche et à droite par rapport au socle. Alignez le repère (blanc) situé sur la base du bras de lecture avec le symbole ▲ du socle avant verrouillage.

5 Lisez le disque et vérifiez que le bras de lecture est maintenant de niveau.



Couvercle de la platine

Fixation du couvercle de la platine



1 Insérez les charnières à fond dans les porte-charnières aux extrémités gauche et droite de l'arrière de l'unité principale.

2 Alignez le haut des charnières avec les porte-charnières du couvercle de la platine et insérez-les.

Dépose du couvercle de la platine

Maintenez les deux bords du couvercle de la platine et soulevez-le lentement pour l'extraire, avec les charnières, de l'unité. Ensuite, retirez les charnières du couvercle de la platine.

Ouverture et fermeture du couvercle de la platine

Ouverture

Tenez le bord avant du couvercle de la platine et soulevez-le délicatement pour l'ouvrir complètement jusqu'à ce qu'il s'arrête.

Le couvercle de la platine restera ouvert dans cette position.

Fermeture

Abaissez doucement le couvercle de la platine jusqu'à ce qu'il soit fermé.

⚠ **Veillez à ne pas vous pincer les doigts, par exemple lors de l'ouverture et de la fermeture du couvercle de la platine.**

Changement de cellule

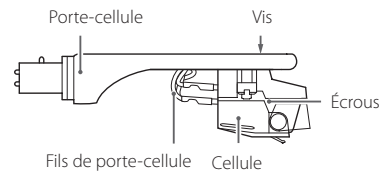
Pour changer la cellule, commencez par détacher le porte-cellule du bras de lecture.

- La cellule installée dans cette unité est équivalente à la cellule Audio-Technica AT100E de type VM (la pointe de rechange pour la cellule installée est verte. Elle ne porte pas de marque Audio-Technica).

NOTE

Les cellules de type VM ont les mêmes caractéristiques que les cellules de type MM.

- Nous vous recommandons de baisser le capuchon de protection de la pointe de cellule avant d'effectuer cette manœuvre.

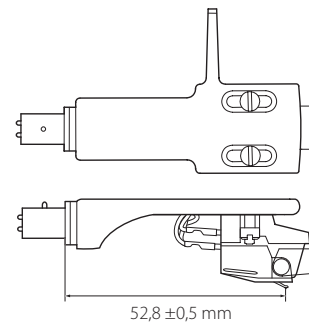


1 Déconnectez de la cellule les fils du porte-cellule.

2 Desserrez les vis et retirez la cellule.

3 Montez la nouvelle cellule et serrez les vis.

Voir l'illustration ci-dessous pour la position des vis après montage.



4 Raccordez les contacts du porte-cellule à la cellule.

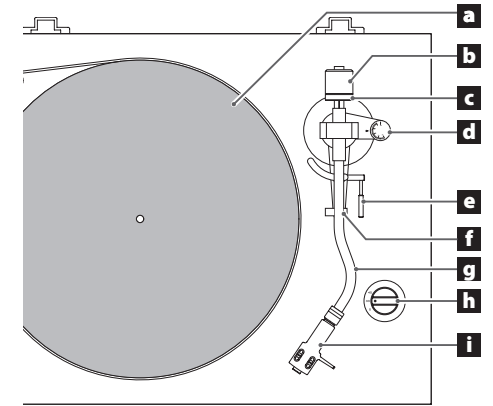
- Les signaux et les couleurs des fils de la cellule sont représentés ci-dessous.

Signal	Couleur
Canal gauche +	Blanc
Canal gauche -	Bleu
Canal droit +	Rouge
Canal droit -	Vert

5 Équilibrez le bras de lecture et réglez la pression de la pointe.

Suivez les procédures décrites de « Équilibrage du bras de lecture et réglage de la pression de la pointe » en page 16.

Nomenclature et fonctions des parties



a Plateau

Placez les disques au centre du plateau.

b Contrepoids

c Bague de réglage de pression de la pointe

d Molette d'antipatinage

e Lève-bras

Utiliser ce lève-bras est un moyen plus sûr et plus précis que le doigt pour baisser la pointe sur la surface du disque ainsi que pour la relever.

f Support de bras de lecture

C'est un support pour poser le bras de lecture.

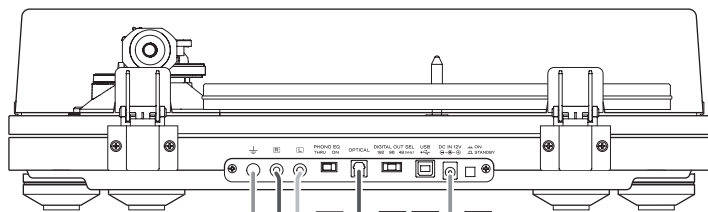
g Bras de lecture

h Bouton de réglage de vitesse de rotation

Règle la vitesse de rotation (tr/min) adaptée au disque. La rotation s'arrêtera si ce bouton est ramené sur 0.

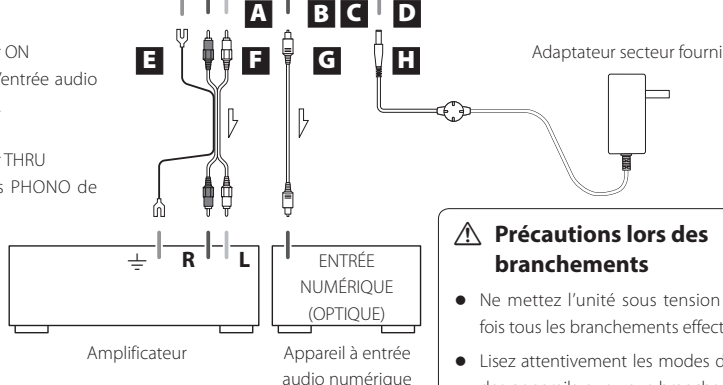
i Porte-cellule

C'est un modèle universel qui permet de facilement changer la cellule.



Quand PHONO EQ est sur ON
Branchez les prises d'entrée audio de l'amplificateur, etc.

Quand PHONO EQ est sur THRU
Branchez les entrées PHONO de l'amplificateur, etc.



⚠️ Précautions lors des branchements

- Ne mettez l'unité sous tension qu'une fois tous les branchements effectués.
- Lisez attentivement les modes d'emploi des appareils que vous branchez et suivez leurs instructions quand vous faites les branchements.

A Sélecteur PHONO EQ (réglage de sortie audio)

ON

Les signaux ayant été amplifiés par l'ampli égaliseur phono intégré, qui accepte les cellules MM, sont produits par les prises de sortie audio analogique (L/R).

THRU

Le signal de la cellule MC ou MM est directement produit par les prises de sortie audio analogique (L/R).

Utilisez cette option pour le branchement d'un équipement ayant des entrées PHONO.

- À la sortie d'usine, ce sélecteur est réglé sur ON.
- Réglez-le sur ON si un appareil est connecté à la prise de sortie audio numérique OPTICAL ou au port USB.

ATTENTION

Avec un réglage sur ON, si le branchement est fait aux entrées PHONO d'un amplificateur, par exemple, le son produit par les enceintes et le casque sera très fort, ce qui peut endommager l'équipement ou l'audition.

B Sélecteur de sortie numérique (DIGITAL OUT SEL)

Sert à sélectionner la fréquence d'échantillonnage de la sortie numérique optique.

- La fréquence d'échantillonnage maximale prise en charge est de 192 kHz.

C Port USB (USB type B)

Branchez-le au port USB d'un ordinateur pour convertir le signal audio de cette unité en numérique et l'envoyer à l'ordinateur (page 20).

D Touche STANDBY/ON

Appuyez sur la touche STANDBY/ON pour allumer l'unité ou la mettre en veille (standby).

E Borne de masse (⊖)

Utilisez le fil de masse du câble audio RCA fourni pour raccorder cette borne par exemple à la borne de masse de l'amplificateur.

- Ce n'est PAS un branchement de terre de sécurité électrique.

- Si connecter le fil de masse du câble audio au connecteur de masse de cette unité ne réduit pas le bruit, débranchez le fil de masse et contrôlez à nouveau le son. Utilisez la méthode (connecté/déconnecté) pour laquelle il y a le moins de bruit.

F Prises de sortie audio analogique (L/R)

Ces prises produisent les signaux audio analogiques. Le réglage du sélecteur PHONO EQ change le type de signal produit.

Utilisez le câble audio RCA fourni pour brancher d'autres appareils aux prises de sortie de cette unité.

G Prise de sortie audio numérique optique (OPTICAL)

Elle produit le signal audio numérique.

Raccordez-la à la prise d'entrée audio optique d'un appareil pouvant recevoir de l'audio numérique.

Utilisez un câble numérique optique TOSLINK du commerce pour faire le branchement.

H Prise d'entrée d'alimentation CC

Après avoir fait tous les autres branchements, branchez ici l'adaptateur secteur fourni.

Vérifiez que le bloc d'alimentation de l'adaptateur secteur est branché dans une prise secteur.

- Débranchez le cordon d'alimentation de la prise secteur si vous avez l'intention de laisser l'unité inutilisée de façon prolongée.
- N'utilisez aucun adaptateur secteur autre que celui fourni.

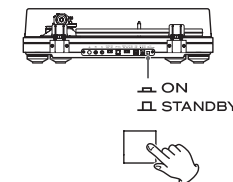
⚠️ Veillez à brancher le cordon d'alimentation dans une prise secteur fournissant la tension correcte. Le branchement à une prise fournissant une tension incorrecte pourrait entraîner un incendie ou une électrocution.

Tenez le cordon d'alimentation par sa fiche quand vous le branchez ou le débranchez. Ne tirez jamais sur le cordon lui-même.

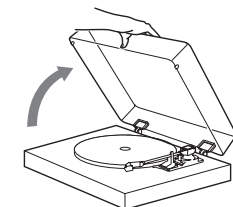
Débranchez le cordon d'alimentation de la prise secteur si vous avez l'intention de laisser l'unité inutilisée de façon prolongée.

Lecture des disques

1 Appuyez sur la touche STANDBY/ON à l'arrière de l'unité pour la mettre sous tension.

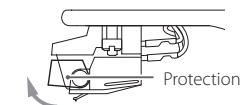


2 Ouvrez lentement le couvercle de la platine.



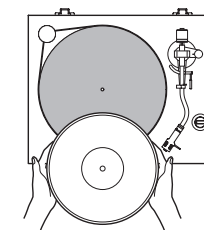
⚠️ Veillez à ne pas vous pincer les doigts, par exemple lors de l'ouverture et de la fermeture du couvercle de la platine.

3 Soulevez la protection de la cellule.



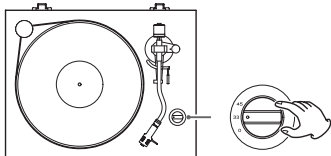
4 Placez un disque sur la platine.

Pour lire un 45 tr/min à grand trou central, utilisez l'adaptateur fourni.

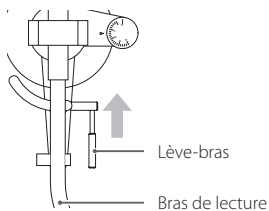


5 Réglez la vitesse en fonction du disque et lancez la platine.

La vitesse de rotation peut être réglée sur 33 1/3 ou 45 tr/min.

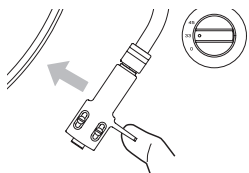


6 Soulevez le lève-bras.



- Vous pouvez également amener le bras de lecture au-dessus du disque sans soulever le lève-bras puis l'abaisser lentement pour lancer la lecture.

7 Amenez le bras de lecture sur le bord du disque ou du morceau dont vous souhaitez lancer la lecture.



8 Rabaissez le lève-bras.

Abaissez lentement le bras de lecture jusqu'à ce que la pointe touche le disque et que la lecture commence.

- Nous vous recommandons de fermer le couvercle de la platine durant la lecture d'un disque pour éviter la poussière.

⚠ Ne placez rien sur le couvercle de la platine.

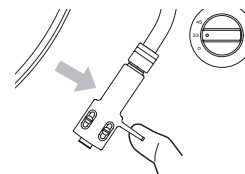
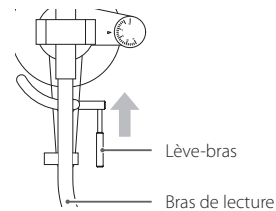
ATTENTION

- Durant la lecture, ne touchez pas le bras de lecture ni le disque qui tourne.
- N'arrêtez pas la rotation de la platine durant la lecture.

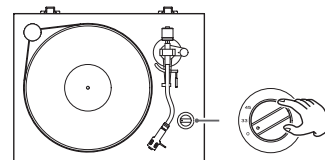
Durant la lecture du disque, une réinjection du signal (« larsen ») peut se produire si le volume est trop fort. Si cela se produit, baissez le volume de l'amplificateur.

Lorsque la lecture est terminée

1 Soulevez le lève-bras pour écarter la pointe du disque et ramenez le bras de lecture à sa position d'origine.



2 Ramenez le bouton de réglage de vitesse de rotation sur 0 pour arrêter la platine.



Branchez cette platine tourne-disque à un ordinateur au moyen d'un câble USB du commerce pour convertir les signaux audio d'un disque en données numériques et les envoyer à l'ordinateur.

Systèmes d'exploitation pris en charge

Des ordinateurs fonctionnant sous les systèmes d'exploitation suivants peuvent être connectés par USB à cette unité (à date de novembre 2015).

Windows

- Windows 7 (32 bits, 64 bits)
- Windows 8 (32 bits, 64 bits)
- Windows 8.1 (32 bits, 64 bits)
- Windows 10 (32 bits, 64 bits)

Mac OS X

- OS X Lion 10.7
- OS X Mountain Lion 10.8
- OS X Mavericks 10.9
- OS X Yosemite 10.10
- OS X El Capitan 10.11

Le fonctionnement avec des systèmes d'exploitation autres que ceux-ci n'est pas garanti.

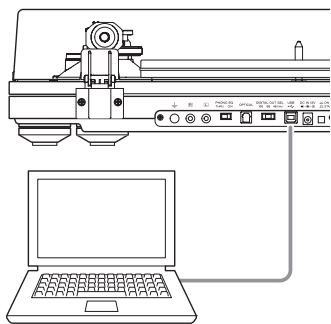
- Cette unité fonctionnera avec le pilote standard du système d'exploitation (OS), donc il n'y a pas besoin d'installer un pilote spécial.

Branchement à un ordinateur

1 Mettez l'ordinateur sous tension.

Vérifiez que le système d'exploitation fonctionne correctement.

2 Utilisez le câble USB pour relier l'ordinateur à cette unité.



- Utilisez un câble USB du commerce avec un noyau de ferrite pour connecter l'unité à un ordinateur.

3 Appuyez sur la touche STANDBY/ON de cette unité pour l'allumer.

Quand ils sont connectés, l'ordinateur détecte automatiquement le port USB de cette unité et l'identifie comme « USB Audio CODEC ».

- Pour enregistrer de l'audio avec un ordinateur depuis cette platine tourne-disque, vous devez installer un logiciel permettant l'enregistrement audio sur l'ordinateur. Vous pouvez acheter séparément le logiciel d'enregistrement audio que vous préférez ou télécharger un logiciel gratuit tel qu'Audacity (<http://audacity.sourceforge.net/>) sur Internet. Étant un logiciel gratuit, Audacity ne bénéficie pas de l'assistance TEAC.
- Lorsqu'un ordinateur est connecté par USB et enregistre de l'audio, n'effectuez aucune des opérations suivantes. Cela pourrait entraîner un mauvais fonctionnement de l'ordinateur. Quittez toujours le logiciel d'enregistrement de l'ordinateur avant de faire ce qui suit.
 - Déconnecter le câble USB
 - Mettre l'unité en veille

Réglages de l'ordinateur

L'exemple suivant explique les réglages à faire quand on utilise Windows 7.

1 Dans le menu Démarrer, sélectionnez Panneau de configuration.

2 Cliquez sur « Son ».

3 Cliquez sur l'onglet « Enregistrement » et vérifiez que « USB Audio CODEC » est défini comme « Périphérique par défaut ».

4 Sélectionnez « Microphone USB Audio CODEC » et cliquez sur le bouton Propriétés.

5 Cliquez sur l'onglet « Avancé ».

6 Dans le menu déroulant « Format par défaut », sélectionnez le format, c'est-à-dire la qualité d'enregistrement désirée.

CONSEIL

« 2 canaux, 16 bits, 48 000 Hz (qualité DVD) » offre une qualité audio supérieure mais nécessite également plus d'espace pour le fichier. Enregistrer à une fréquence d'échantillonnage plus basse réduit la qualité audio mais consomme moins d'espace pour le fichier.

7 Cliquez sur « OK ».

Guide de dépannage

Si vous avez un problème avec cette unité, veuillez vérifier les points suivants avant de demander une intervention. Le problème pourrait aussi venir d'ailleurs que de cette unité. Vérifiez aussi que les appareils qui lui sont connectés sont correctement employés.

Si cette unité ne fonctionne toujours pas correctement, contactez le revendeur chez qui vous l'avez achetée.

Pas d'alimentation.

- ➔ Vérifiez que l'adaptateur secteur est branché à une prise secteur. Puis appuyez sur la touche STANDBY/ON pour allumer l'unité (page 19).

Le volume est faible.

- ➔ Pour brancher les prises de sortie audio analogique de cette unité aux prises d'entrée audio d'un amplificateur ou d'un autre équipement, réglez le sélecteur PHONO EQ (réglage de sortie audio) sur ON (page 19).

- ➔ Si vous n'utilisez pas l'amplificateur égaliseur phono de cette unité, réglez le sélecteur PHONO EQ (réglage de sortie audio) sur THRU, et connectez les prises de sortie audio analogique (L/R) aux prises d'entrée PHONO d'un amplificateur ou d'un autre équipement.

Si vous utilisez la cellule fournie (équivalente à une cellule MM), connectez-les à des prises d'entrée PHONO compatibles avec un signal de type MM.

Si vous utilisez une cellule MC, réglez le sélecteur PHONO EQ (réglage de sortie audio) sur THRU, et connectez-les à des prises d'entrée PHONO compatibles avec un signal de type MC sur l'amplificateur ou autre équipement. Les prises d'entrée PHONO de certains appareils peuvent être réglées pour accepter au choix un signal de type MM ou MC. Pour des détails, reportez-vous au mode d'emploi de l'équipement en question.

La lecture est impossible, il y a du bruit.

- ➔ Relevez la protection (page 19).
- ➔ Nettoyez la pointe (page 15).
- ➔ Si la pointe est usée, remplacez-la (page 15). La durée de vie d'une pointe dépend des conditions d'utilisation, mais elle est généralement d'environ 300 heures.
- ➔ Éloignez autant que possible l'unité des téléviseurs, fours à micro-ondes et autres appareils qui émettent des ondes électromagnétiques.

Du bruit se produit lors de la lecture d'un disque.

- ➔ Du bruit peut se produire si la pression de la pointe est supérieure à la valeur spécifiée pour la cellule. Réajustez la pression de la pointe conformément à la valeur spécifiée (page 16).

La hauteur est incorrecte.

- ➔ Réglez la vitesse de rotation (tr/min) convenable pour le disque (page 19).

Le son saute.

- ➔ Des vibrations entraînent des sauts. Placez cette unité dans un endroit stable.
- ➔ Si le disque est sale, nettoyez-le.
- ➔ N'employez pas de disques rayés.
- ➔ Équilibrez le bras de lecture et réajustez la pression de la pointe (page 16).
Si la pression de la pointe est plus basse que la valeur prévue pour la cellule, il y a plus de risques de saut.

Caractéristiques techniques

Plateau

Système d'entraînement ... À courroie avec contrôle de haute précision de type détection de rotation
Moteur..... moteur CC
Vitesse de rotation33 1/3 tr/min, 45 tr/min
Précision de détection de la rotation .. ±0,05 % (33 1/3 tr/min)
Pleurage et scintillement..... 0,1 %
Rapport S/B..... >67 dB ou plus
(pondération A, filtre passe-bas 20 kHz)
Plateau..... Acrylique, Diamètre de 30 cm
Socle..... Marbre artificiel et bois

Bras de lecture

Type de bras Bras de lecture en S à équilibrage statique
Longueur utile du bras223 mm
Plage de variation de pression de la pointe0–5 g
Poids de cellule souhaitable 15–23 g
(porte-cellule compris)
Surplomb..... 18 mm
Écart de suivi..... 3° ou moins
Plage de réglage de hauteur du bras environ 6 mm

Cellule

Type VM (équivalente à une cellule MM)
Tension de sortie..... 4,5 mV (1 kHz, 5 cm/s)
Pression de la pointe 1,4 ±0,4 g
Poids de la cellule 6,5 ±0,2 g
Poids avec porte-cellule 10 g (vis, écrous et fils compris)

- La durée de vie d'une pointe dépend des conditions d'utilisation, mais elle est généralement d'environ 300 heures.
 - La cellule installée dans cette unité est équivalente à la cellule AT100E de type VM Audio-Technica (la pointe de rechange pour la cellule installée est verte. Elle ne porte pas de marque Audio-Technica).
- Note : les cellules de type VM ont les mêmes caractéristiques que les cellules de type MM.

Tension de sortie

PHONO EQ THRU..... 4,5 mV ± 3 dB
PHONO EQ ON..... 230 mV (–13 dBV)
Prises de sortie..... RCA

Port USB

Conforme à la norme USB 2.0 (pleine vitesse)
Connecteur USB type B
Prise en charge de l'alimentation par bus USB5 V, 500 mA

- Utilisez un câble USB du commerce pour alimenter l'unité depuis l'ordinateur auquel elle est reliée.

Fréquence d'échantillonnage
8 kHz, 11,025 kHz, 16 kHz, 22,05 kHz, 32 kHz, 44,1 kHz, 48 kHz
Résolution de quantification.....16 bits

Sortie audio numérique optique (OPTICAL)

Sortie –21,0 à –15,0 dBm
Fréquence d'échantillonnage..... 48 kHz, 96 kHz, 192 kHz
Résolution de quantification..... 24 bits

Générales

Adaptateur secteur
Entrée CA 100–240 V, 50–60 Hz
Sortie 12 V, 500 mA
Consommation électrique
En veille..... 0,2 W ou moins
En service
0..... 2,3 W ou moins
33 3 W ou moins
45 3,25 W ou moins
Poids..... 9 kg
Température de fonctionnement..... 5°C à 35°C
Dimensions (L × H × P) (saillies incluses)
420 × 131,5 × 355 mm

- Les données de performance sont spécifiées à 20°C.

Accessoires fournis

Tapis de platine × 1
Adaptateur 45 tr/min × 1
Contrepoids × 1
Porte-cellule × 1
Cellule stéréo Audio-Technica de type VM (double aimant) (équivalente à l'AT100E) préinstallée
Plateau × 1
Cache-poulie × 1
Rondelles × 4
Clé hexagonale × 1
Câble audio RCA avec borne de masse × 1
Adaptateur secteur (GPE053A-V120050-Z) × 1
Mode d'emploi (ce document, y compris la garantie) × 1

- Caractéristiques techniques et aspect sont sujets à changements sans préavis.
- Le poids et les dimensions sont des valeurs approchées.
- Les illustrations de ce mode d'emploi peuvent légèrement différer des modèles de production.

INSTRUCCIONES IMPORTANTES DE SEGURIDAD

CAUTION

RISK OF ELECTRIC SHOCK
DO NOT OPEN

PRECAUCIÓN: PARA REDUCIR EL RIESGO DE DESCARGA ELÉCTRICA, NO quite la cubierta (ni el panel posterior). NO HAY PIEZAS INTERNAS QUE EL USUARIO PUEDA REPARAR. PARA REPARACIONES, REMÍTASE A UN SERVICIO TÉCNICO CUALIFICADO.

El símbolo del rayo acabado en flecha dentro de un triángulo equilátero alerta al usuario de la presencia de un "voltaje peligroso" sin aislar dentro de la carcasa del producto que puede ser de magnitud suficiente como para constituir riesgo de descarga eléctrica para las personas.



El signo de exclamación dentro de un triángulo equilátero alerta al usuario de la presencia de importantes instrucciones de funcionamiento y mantenimiento en la literatura que acompaña al aparato.



AVISO: PARA EVITAR RIESGO DE INCENDIO O DESCARGAS ELÉCTRICAS, NO EXPONGA ESTE APARATO A LA LLUVIA NI A LA HUMEDAD.

PRECAUCIÓN

- NO quite las carcasas externas ni deje al aire la electrónica. ¡EN EL INTERIOR NO HAY PIEZAS QUE EL USUARIO PUEDA MANIPULAR!
- SI EXPERIMENTA PROBLEMAS CON ESTE PRODUCTO, PÓNGASE EN CONTACTO CON EL ESTABLECIMIENTO DONDE ADQUIRIÓ LA UNIDAD PARA SOLICITAR SERVICIO TÉCNICO. NO UTILICE EL APARATO HASTA QUE HAYA SIDO REPARADO.
- EL USO DE CONTROLES, AJUSTES O PROCEDIMIENTOS QUE NO SEAN LOS ESPECIFICADOS EN ESTE MANUAL PUEDE CAUSAR EXPOSICIÓN A RADIACIONES PELIGROSAS.

- 1) Lea estas instrucciones.
- 2) Conserve estas instrucciones.
- 3) Cumpla con lo indicado en los avisos.
- 4) Siga todas las instrucciones.
- 5) No utilice este aparato cerca del agua.
- 6) Límpielo solo con un trapo seco.
- 7) No bloquee ninguna de las ranuras de ventilación. Instale este aparato de acuerdo con las instrucciones del fabricante.
- 8) No instale este aparato cerca de fuentes de calor como radiadores, calentadores, hornos u otros aparatos (incluyendo amplificadores) que produzcan calor.

9) No elimine el sistema de seguridad que supone el enchufe polarizado o con toma de tierra. Un enchufe polarizado tiene dos bornes, uno más ancho que el otro. Uno con toma de tierra tiene dos bornes iguales y una tercera lámina para la conexión a tierra. El borne ancho o la lámina se incluyen para su seguridad. Si el enchufe que venga con la unidad no encaja en su salida de corriente, haga que un electricista cambie su salida anticuada.

10) Evite que el cable de corriente quede de forma que pueda ser pisado o quedar retorcido o aplastado, especialmente en los enchufes, receptáculos o en el punto en el que salen del aparato.

11) Use solo accesorios / complementos especificados por el fabricante.

12) Utilice este aparato solo con un soporte, trípode o bastidor especificado por el fabricante o que se venda con el propio aparato. Cuando utilice un bastidor con ruedas, tenga cuidado al mover la combinación de aparato/bastidor para evitar que vuelque y puedan producirse daños.



13) Desconecte este aparato de la corriente durante las tormentas eléctricas o cuando no lo vaya a usar durante un periodo de tiempo largo.

14) Dirija cualquier posible reparación solo al servicio técnico oficial. Este aparato deberá ser reparado si se ha dañado de alguna forma, como por ejemplo si el cable de corriente o el enchufe están rotos, si ha sido derramado algún líquido sobre la unidad o algún objeto ha sido introducido en ella, si ha quedado expuesto a la lluvia o la humedad, si no funciona normalmente o si ha caído al suelo en algún momento.

- Este aparato libera corriente nominal no válida para el funcionamiento a través de la toma de corriente, aún cuando el interruptor de encendido y activación (POWER o STANDBY/ON) no esté en la posición de encendido (ON).

- El enchufe que se conecta a la red es el dispositivo de desconexión, por lo que deberá permanecer siempre en perfecto estado de uso.

- Deberá llevar cuidado si utiliza auriculares con este producto, ya que una excesiva presión sonora (volumen) procedente de los mismos puede causar pérdidas de audición.

PRECAUCIÓN

- No exponga este aparato a salpicaduras ni goteras.
- No coloque objetos que contengan líquidos, como por ejemplo jarrones, sobre el aparato.
- No instale este aparato en lugares cerrados tales como estanterías o similares.
- Este aparato debe situarse lo suficientemente cerca de una toma de electricidad como para poder alcanzar fácilmente el cable de corriente en cualquier momento.

EN EE. UU./CANADÁ, UTILICE SOLO ALIMENTACIÓN CON CORRIENTE DE 120 V.

Modelo para EE. UU.

Se ha comprobado que este equipo cumple con los límites establecidos para los dispositivos digitales de Clase B, de acuerdo con el apartado 15 de las Normas de la FCC. Estos límites están diseñados para proporcionar una protección razonable contra interferencias perjudiciales en instalaciones residenciales. Este equipo genera, utiliza y puede irradiar energía de radiofrecuencia y, si no se instala y se utiliza de acuerdo con las instrucciones, puede causar interferencias perjudiciales en las comunicaciones por radio. Sin embargo, no se puede garantizar que dichas interferencias no se produzcan en instalaciones particulares. Si este equipo causa interferencias perjudiciales en la recepción de radio o televisión, que se comprueban apagando y encendiendo el equipo, se recomienda al usuario que intente corregirla mediante una o varias de las siguientes medidas:

- Reoriente o recolocque el equipo y/o la antena receptora.
- Increase the separation between the equipment and receiver.
- Conecte el equipo a una toma de electricidad situada en un circuito eléctrico diferente al del receptor.
- Consulte al distribuidor o solicite ayuda a un técnico de radio/TV con experiencia.

Declaración de conformidad



Parte responsable: TEAC AMERICA, INC.
Dirección: 1834 Gage Road, Montebello, California, U.S.A.
Número de teléfono: 1-323-726-0303

Este dispositivo cumple con el apartado 15 de las Normas de la FCC. Su funcionamiento está sujeto a las dos siguientes condiciones: (1) este dispositivo no puede causar interferencias perjudiciales y (2) este dispositivo debe aceptar cualquier interferencia recibida, incluidas interferencias que puedan causar anomalías de funcionamiento.

DECLARACIÓN DE CONFORMIDAD

Por la presente comunicación, TEAC Corporation declara que este producto cumple con los requisitos de las directivas de la Unión Europea y con los restantes reglamentos de la Comisión.



PRECAUCIÓN

Cualquier cambio o modificación efectuada en este equipo que no haya sido expresamente aprobada por la parte responsable del cumplimiento de los requisitos exigidos podría invalidar el derecho del usuario a utilizar el equipo.

Para consumidores europeos

Deshacerse de aparatos eléctricos, electrónicos, pilas/baterías y acumuladores

- a) Todos los aparatos eléctricos y electrónicos, y pilas/baterías y acumuladores gastados, deben ser eliminados separados del resto de basura común y únicamente en los "puntos limpios" o bajo los procedimientos especificados por el gobierno o autoridades municipales locales.
- b) Con la eliminación correcta de los equipos eléctricos y electrónicos, y de pilas/baterías y acumuladores gastados, estará ayudando a conservar recursos muy valiosos y a evitar los posibles efectos negativos en la salud humana y en el medio ambiente.
- c) La eliminación incorrecta de los equipos eléctricos y electrónicos, y pilas/baterías y acumuladores, puede producir efectos muy dañinos en el medio ambiente y en la salud humana a causa de las sustancias peligrosas que pueden encontrarse en estos equipos.
- d) El símbolo de Eliminación de Aparatos Eléctricos y Electrónicos (WEEE en inglés), identificado por cubos de basura con ruedas tachados, indican que los equipos eléctricos y electrónicos, y las pilas/baterías y acumuladores, deben ser eliminados de forma totalmente independiente con respecto a la basura doméstica. Si una pila/batería o un acumulador contienen más cantidad de los valores especificados de plomo (Pb), mercurio (Hg), y/o cadmio (Cd) según está definido en la Directiva relativa a las pilas (2006/66/EC), entonces los símbolos químicos correspondientes a estos elementos estarán indicados debajo del símbolo WEEE.
- e) Existen sistemas para la eliminación y recogida a disposición del usuario final. Si necesita más información sobre cómo deshacerse de aparatos eléctricos y electrónicos antiguos, así como de pilas/baterías y acumuladores, póngase en contacto con su ayuntamiento, con la correspondiente empresa del servicio de recogida de residuos o con el establecimiento donde adquirió ese aparato.



Índice

Gracias por elegir TEAC.

Lea detenidamente este manual para obtener el mejor rendimiento posible de esta unidad.

Después de leerlo, guárdelo en un lugar seguro para futuras consultas.

INSTRUCCIONES IMPORTANTES DE SEGURIDAD.....	23
Antes de su utilización	24
Manejo de los discos	25
Notas sobre las agujas para discos.....	25
Preparación del reproductor de discos.....	26
Tapa del plato giradiscos	28
Cambio de la cápsula	28
Nombres y funciones de las partes	28
Funcionamiento básico	29
Grabación con un ordenador.....	30
Solución de posibles fallos	31
Especificaciones.....	32

Apple, Mac, Mac OS and OS X are trademarks of Apple Inc., registered in the U.S. and other countries.

Microsoft and Windows are either registered trademarks or trademarks of Microsoft Corporation in the United States and/or other countries.

Los nombres de otras compañías, nombres de productos y logos que aparecen en este documento son marcas comerciales o registradas de sus respectivos propietarios.

Antes de su utilización

Accesorios incluidos

Compruebe que todos los accesorios enumerados a continuación están incluidos en la caja.

Por favor, póngase en contacto con el establecimiento donde adquirió esta unidad en caso de que alguno de estos accesorios falte o haya sufrido desperfectos durante el transporte.

- Alfombrilla del plato giradiscos × 1
- Adaptador de 45 RPM × 1
- Contrapeso × 1
- Cabezal × 1
 - Cápsula estéreo Audio-Technica VM Type (doble imán) (equivalente a AT100E) preinstalada
- Plato giradiscos × 1
- Cubierta de la polea × 1
- Arandelas × 4
- Llave Allen × 1
- Cable de audio RCA con conductor de tierra × 1
- Adaptador de corriente (GPE053A-V120050-Z) × 1
- Manual del usuario (este documento, incluyendo la garantía) × 1
 - Conserve este manual en un lugar seguro para futuras consultas.
 - La garantía para EE. UU. y Canadá está en la contraportada. Consulte la página 73 para conocer las disposiciones de la garantía.
Consulte la página 74 si desea más información sobre la garantía en Europa u otras áreas geográficas.

Precauciones de uso

- No coloque nada sobre la tapa del plato giradiscos. Los objetos situados sobre la tapa podrían causar ruido debido a las vibraciones o caerse, especialmente durante la reproducción.
- Evite situar la unidad directamente a la luz del sol, cerca de una fuente de calor o en condiciones similares. No coloque la unidad encima de un amplificador u otros equipos que puedan generar calor que exceda el margen de la temperatura de funcionamiento de esta unidad. Si lo hace podría causar que la unidad se decolore, se deforme o que funcione incorrectamente.

Manejo de los discos

Registro del producto

Los clientes de EE. UU. deben visitar el siguiente sitio web de TEAC para registrar su producto en línea:

<http://audio.teac.com/support/registration/>

Web global de TEAC

Las actualizaciones correspondientes a esta unidad se pueden descargar desde la web global de TEAC: <http://teac-global.com/>

- 1) Entre en la web global de TEAC.
- 2) En la sección de descargas (downloads) de TEAC, haga clic en el idioma que desee para abrir la página web de descargas correspondiente a ese idioma.

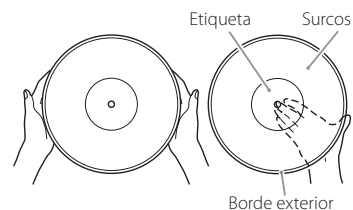
NOTA

Si no aparece el idioma que desea, haga clic en "Other Languages" (otros idiomas).

- 3) Haga clic en la sección "Search by Model Name" (buscar por nombre de modelo) para abrir la página de descargas correspondiente a ese modelo. Los usuarios de Europa, sin embargo, tienen que hacer clic el nombre del producto en la sección "Products" (productos).
- 4) Seleccione y descargue las actualizaciones que necesite.

Cómo sujetar los discos

Cuando coja un disco o lo saque de su funda, evite tocar los surcos sujetando el disco por su etiqueta central y por el borde con una mano o sujetándolo por los bordes con ambas manos.



Limpieza

- Las huellas de dedos y el polvo en un disco pueden causar ruido y hacer que el sonido salte, así como producir daños al propio disco y a la aguja. Utilice un limpiador de discos de los que se pueden adquirir en establecimientos comerciales para limpiar los discos. No utilice disolvente ni nada que no sea un limpiador específico para discos. Dichos productos químicos podrían dañar la superficie del disco.
- Cuando utilice un limpiador de discos, limpie la superficie del disco con movimiento circular, siguiendo los surcos.



Precauciones

- No deje los discos en sitios donde estén expuestos directamente a la luz del sol o que sean muy calurosos o húmedos. Si deja un disco bajo tales condiciones durante mucho tiempo, podría deformarse o sufrir otros daños.
- No apile múltiples discos o sitúe objetos pesados sobre ellos. Tampoco deje los discos inclinados en ángulo durante excesivo tiempo. Si lo hace, podrían deformarse o sufrir otros daños.
- No permita que objetos duros toquen directamente los surcos de audio. Si esto ocurre, los discos se pueden rayar.
- Después de que haya terminado de reproducir un disco, vuelva siempre a guardarlo en su funda. Dejar un disco sin protección puede causar que se deforme o se raye.
- No utilice discos que estén rotos.

Notas sobre las agujas para discos

- Las agujas para discos son piezas de precisión, y por tanto deberá manejarlas con cuidado para evitar que se doble o se dañe su punta. Si una aguja se dobla o se daña su punta, podría no ser capaz de seguir los surcos de audio con precisión y podría dañar los discos o provocar otras anomalías de funcionamiento.
- Si una aguja se ensucia, para limpiarla utilice un limpiador de agujas o un producto similar de los que se pueden adquirir en establecimientos comerciales.
- No frote la punta de la aguja con nada duro ni con excesiva fuerza. No limpie la aguja con disolvente u otras sustancias químicas. Si lo hace, podría dañarla.

Sustitución de la aguja

Cuando tenga que cambiar la aguja, utilice una Audio-Technica ATN100E.

- La cápsula instalada en esta unidad es equivalente a la cápsula Audio-Technica AT100E VM Type (la aguja de repuesto para la cápsula instalada es verde; no tiene ningún indicativo de Audio-Technica).
Nota: Las cápsulas de tipo VM tienen las mismas características que las cápsulas de tipo MM.
- Siga las instrucciones de sustitución de la aguja que vengan en el manual de la aguja de repuesto.

PRECAUCIÓN

- Puesto que se pueden producir ruidos repentinos a alto volumen, ponga la unidad en reposo (standby) antes de cambiar la aguja.
- Lleve cuidado de no lastimarse la mano o dañar el equipo.
- Lleve cuidado de no permitir que los niños pequeños puedan tragarse las agujas accidentalmente.

Preparación del reproductor de discos

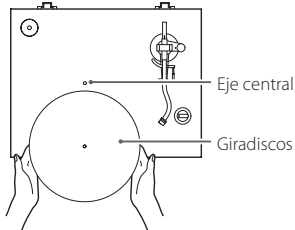
Mantenga la unidad en modo de reposo (standby) hasta que la configure (E en la página 29).

1 Colóquela sobre una superficie que esté nivelada.

2 Instale el plato giradiscos.

Alinee el plato giradiscos con el eje central e instálelo.

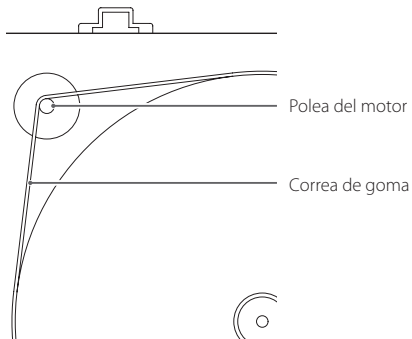
- Coloque el lado grande del orificio abajo.



3 Fije la correa alrededor de la polea del motor.

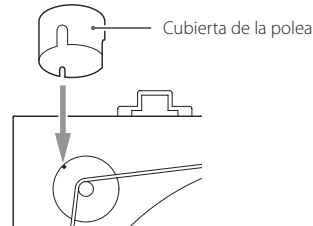
Pase la correa de goma incluida alrededor del exterior del plato giradiscos, y a continuación colóquela alrededor de la polea del motor.

- Lleve cuidado de que la goma no se retuerza.
- Gire el plato varias veces para confirmar que se ha puesto bien.



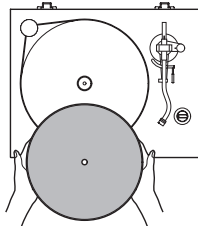
4 Instale la cubierta de la polea.

Alinee la pequeña muesca situada en la cubierta de la polea con la pequeña protuberancia que hay en la polea, como se muestra en la ilustración más abajo. Si no se alinean, la cubierta de la polea se inclinará.



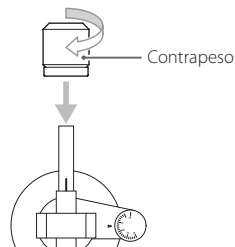
5 Coloque la alfombrilla en el plato giradiscos.

Coloque sobre el plato giradiscos la alfombrilla que viene incluida con él antes de utilizarlo.



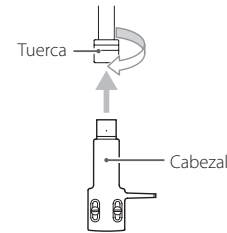
6 Instale el contrapeso.

Coloque el contrapeso sobre el extremo del brazo y presiónelo suavemente mientras lo gira hacia la derecha para fijarlo.



7 Instale el cabezal.

Introduzca el cabezal en el extremo del brazo y gire la tuerca para asegurarlo en su sitio.



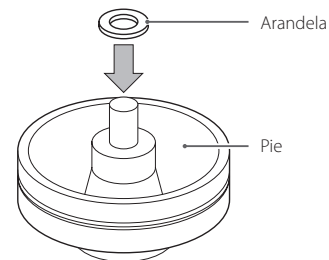
Confirmar y ajustar la nivelación

Para confirmar que el plato giradiscos está nivelado en su emplazamiento, recomendamos utilizar, por ejemplo, un dispositivo de nivelación de platos giradiscos de los que se pueden adquirir en establecimientos comerciales. Si el plato no está nivelado, siga los procedimientos indicados a continuación para ajustar la altura de las patas con objeto de nivelar la unidad.

- Si la inclinación es demasiado grande, es posible que el siguiente método no sea capaz de corregirla.

1 Gire hacia la izquierda el pie situado en la parte inferior para quitarlo.

2 Coloque una de las arandelas que vienen incluidas.

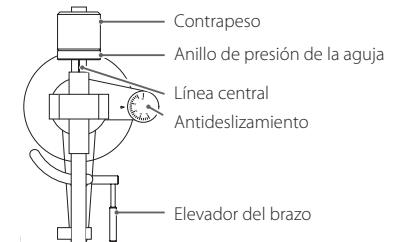


3 Vuelva a fijar el pie en su posición original.

4 Presione hacia abajo en las cuatro esquinas de la unidad para confirmar que el peso está uniformemente distribuido a las cuatro patas.

Si alguna de las cuatro patas está inestable, póngale una arandela como se ha explicado antes y ajuste su altura.

Cómo equilibrar el brazo y ajustar la presión de la aguja

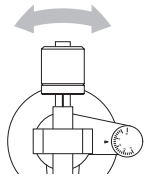


1 Ajuste la rueda antideslizamiento en cero.

2 Levante el elevador del brazo y desplace el brazo ligeramente hacia la izquierda.

3 Baje el elevador del brazo.

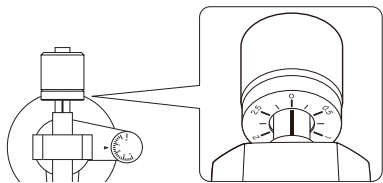
- 4** Gire el contrapeso y ajústelo de manera que el brazo quede nivelado.



- Antes de hacer los ajustes, baje el protector para evitar que se dañe la aguja de la cápsula.
- Lleve cuidado de que la aguja de la cápsula no toque la unidad.

- 5** Retorne el brazo a su posición original y colóquelo en su soporte de sujeción.

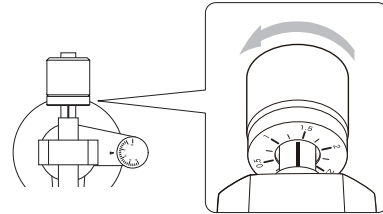
- 6** Gire el anillo de ajuste de presión de la aguja de modo que la línea central quede alineada con el 0 de la escala.



- Gire solo el anillo. Lleve cuidado de no girar el contrapeso.

- 7** Gire el contrapeso de forma que la escala del anillo de ajuste de presión de la aguja coincida con la presión especificada para la cápsula.

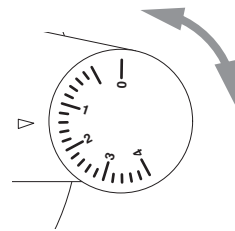
- La presión de la aguja de la cápsula que viene incluida con la unidad es 1,4 g. Por tanto, gire la escala del contrapeso hasta 1,4 cuando utilice la cápsula incluida con la unidad.



- Gírela hacia la derecha partiendo de 0 en la dirección de 0.5 y 1.0.

- 8** Ajuste la rueda antideslizamiento.

Comience con ella puesta en 1.4 y ajústela durante la reproducción de un disco (página 29) a la posición donde los volúmenes de la izquierda y de la derecha estén equilibrados.



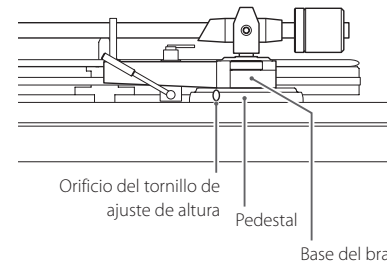
Ajuste de la altura del brazo

Siga los procedimientos indicados a continuación para ajustar la altura del brazo si, al reproducir un disco, no está nivelado después de haber cambiado la cápsula o el cabezal.

- 1** Coloque un disco en el plato giradiscos y ponga la aguja sobre el borde del disco.

- No deje que el plato gire.

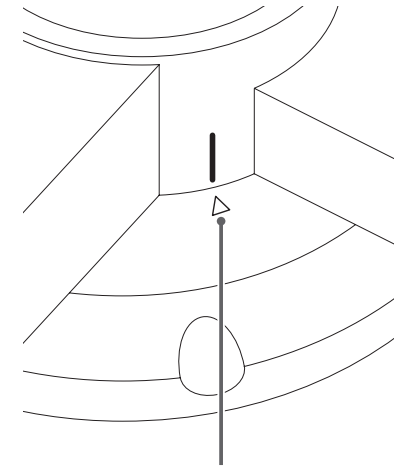
- 2** Inserte la llave Allen incluida en el orificio del tornillo de ajuste de altura y gírela hacia la izquierda para desbloquear la base del brazo.



- 3** Sujete la base del brazo y ajuste la altura para nivelar el brazo.

- Lleve cuidado de no dejar que el brazo se mueva hacia la derecha o hacia la izquierda cuando ajuste la altura.

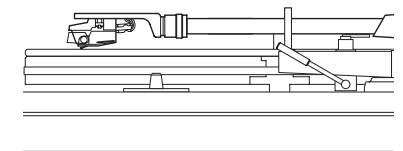
- 4** Gire la llave Allen hacia la derecha para bloquear la base del brazo.



Posición de alineamiento

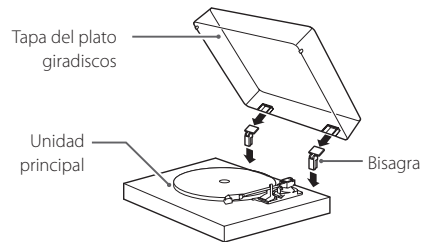
La base del brazo puede moverse hacia la izquierda o hacia la derecha con respecto al pedestal. Alinee la guía de referencia de la base del brazo con la marca ▲ del pedestal antes de bloquearla.

- 5** Reproduzca el disco y confirme que el brazo esté ya nivelado.



Tapa del plato giradiscos

Montaje de la tapa del plato giradiscos



1 Inserte las bisagras por completo en las sujeciones situadas en los extremos izquierdo y derecho de la parte posterior de la unidad principal.

2 Alinee las partes de arriba de las bisagras con las sujeciones que para ellas hay en la tapa del plato giradiscos e insértelas.

Cómo quitar la tapa del plato giradiscos

Sujete ambos bordes de la tapa del plato giradiscos y levántela lentamente para separarla de la unidad junto con las bisagras. A continuación, quite las bisagras de la tapa del plato giradiscos.

Apertura y cierre de la tapa del plato giradiscos

Apertura

Sujete el borde frontal de la tapa del plato giradiscos y levante suavemente para abrir la tapa hasta que no tenga más recorrido.

La tapa permanecerá abierta en esta posición.

Cierre

Baje suavemente la tapa hasta que se cierre

⚠ Lleve cuidado de no pillarse la mano, por ejemplo, al abrir y cerrar la tapa del plato giradiscos.

Cambio de la cápsula

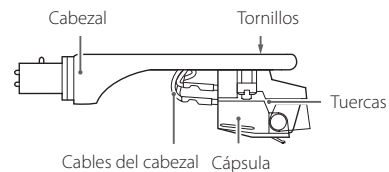
Para cambiar la cápsula, primero quite el cabezal separándolo del brazo.

- La cápsula instalada en esta unidad es equivalente a la cápsula Audio-Technica AT100E VM Type (la aguja de repuesto para la cápsula instalada es verde; no tiene ningún indicativo de Audio-Technica).

NOTA

Las cápsulas de tipo VM tienen las mismas características que las cápsulas de tipo MM.

- Le recomendamos que baje el protector de la aguja de la cápsula antes de llevar a cabo este proceso.

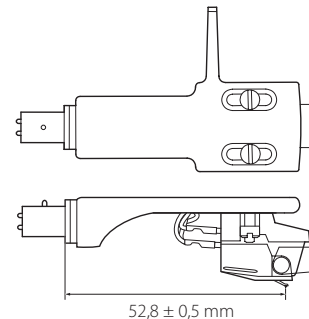


1 Desconecte de la cápsula los terminales cableados del cabezal.

2 Afloje los tornillos y quite la cápsula.

3 Acople la nueva cápsula y apriete los tornillos.

En la ilustración que viene a continuación puede ver la posición de los tornillos una vez acoplada la cápsula.



4 Conecte los terminales cableados del cabezal a la cápsula.

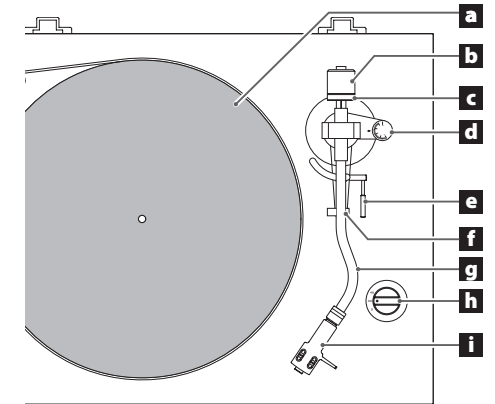
- Las señales y los colores de los cables del cabezal se muestran a continuación:

Señal	Color
Canal izquierdo +	Blanco
Canal izquierdo -	Azul
Canal derecho +	Rojo
Canal derecho -	Verde

5 Equilibre el brazo y ajuste la presión de la aguja.

Siga el procedimiento del apartado "Cómo equilibrar el brazo y ajustar la presión de la aguja" en la página 26.

Nombres y funciones de las partes



a Plato giradiscos

Coloque los discos centrados en el plato.

b Contrapeso

c Anillo de ajuste de presión de la aguja

d Rueda antideslizamiento

e Elevador del brazo

Usar el elevador del brazo es más seguro y preciso que usar un dedo para bajar la punta de la aguja hasta la superficie del disco, lo mismo que para subir el brazo.

f Sujeción del brazo

Esta pieza es donde descansa el brazo.

g Brazo

h Mando de ajuste de la velocidad de giro

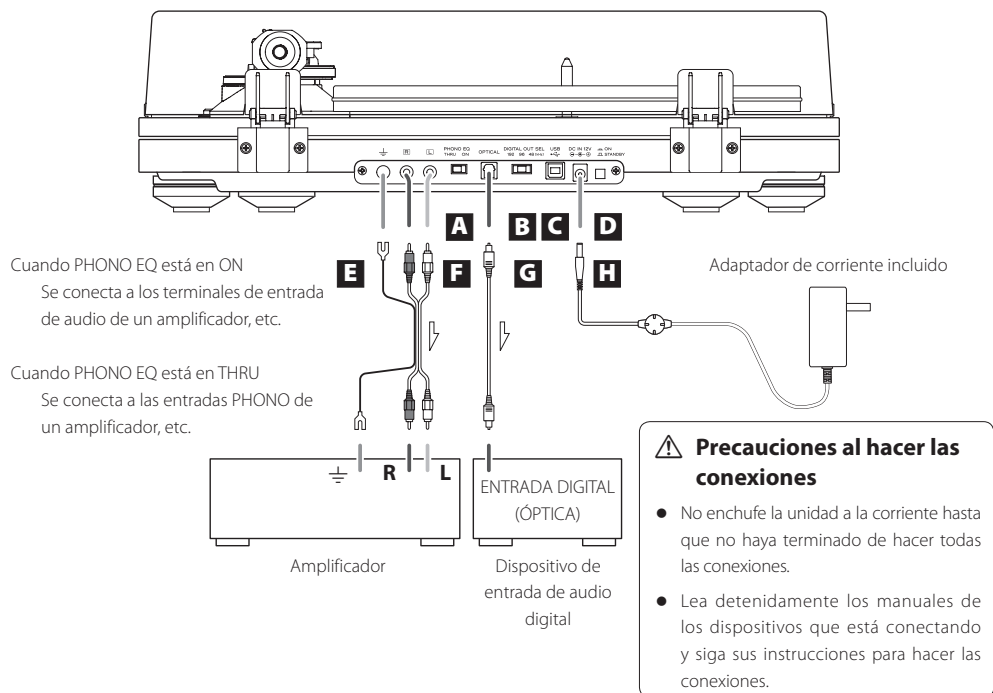
Con él se ajusta la velocidad de giro (RPM) adecuada para cada disco.

No habrá rotación si se pone a 0.

i Cabezal

Es de un tipo universal que permite cambiar la cápsula fácilmente.

Conexiones



A Interruptor PHONO EQ (ajuste de salida de audio)

ON

Por los terminales de salida de audio analógico (L/R) (izquierda/derecha) salen las señales que se han amplificado mediante el amplificador-ecualizador integrado, que es compatible con cápsulas MM.

THRU

Por los terminales de salida de audio analógico (L/R) (izquierda/derecha) sale directamente la señal de la cápsula MC o MM.

Utilice esta opción cuando conecte esta unidad a un equipo que tenga entradas PHONO.

- Cuando la unidad sale de fábrica, su ajuste predeterminado es ON.
- Seleccione ON si se conecta un dispositivo al terminal de salida de audio digital óptico (OPTICAL) o al puerto USB.

PRECAUCIÓN

Si se selecciona ON y la unidad se conecta a las entradas PHONO de un amplificador, por ejemplo, la salida de sonido

por los altavoces y los auriculares será a gran volumen, lo que puede dañar el equipo o producir daños auditivos.

B Interruptor de selección de salida digital (DIGITAL OUT SEL)

Se utiliza para seleccionar la frecuencia de muestreo de la salida digital óptica.

- La máxima frecuencia de muestreo admitida es 192 kHz.

C Puerto USB (USB tipo B)

Conecte este puerto al puerto USB de un ordenador para convertir la señal de audio de esta unidad a digital y enviarla al ordenador (página 30).

D Botón STANDBY/ON

Pulse el botón STANDBY/ON para encender (ON) o poner en reposo (STANDBY) la unidad.

E Terminal de tierra (⊥)

Utilice el conductor de tierra del cable de audio RCA incluido para conectar este terminal al terminal de tierra de un amplificador, por ejemplo.

- Esta NO es una toma de tierra de seguridad eléctrica.
- Si conectando el conductor de tierra del cable de audio al terminal de tierra de esta unidad no se reduce el ruido, desconecte dicho conductor de tierra y vuelva a comprobar el sonido otra vez. Utilice el método (conectado/desconectado) que tenga menos ruido.

F Terminales de salida de audio analógico (L/R) (izquierda/derecha)

Por ellos salen las señales de audio analógico.

El ajuste del interruptor PHONO EQ cambia el tipo de señal de salida.

Use el cable de audio RCA incluido para conectar otros equipos a los terminales de salida de esta unidad.

G Terminal de salida de audio digital OPTICAL

Por este terminal sale el audio digital.

Conéctelo al terminal óptico de entrada de audio digital de un dispositivo capaz de recibir audio digital.

Para hacer la conexión, utilice un cable digital óptico TOSLINK de los que se pueden adquirir en establecimientos comerciales.

H Entrada de corriente DC IN 12V

Una vez terminadas todas las demás conexiones, conecte el adaptador de corriente incluido a este terminal.

Confirme que el enchufe del adaptador de corriente está enchufado a una toma de electricidad.

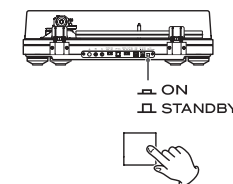
- Desenchufe el cable de corriente de la toma de electricidad cuando no vaya a utilizar la unidad durante un largo periodo de tiempo.
- No utilice ningún otro adaptador de corriente que no sea el incluido.

- ⚠ Asegúrese de conectar el cable de corriente a una toma de electricidad que suministre el voltaje correcto. La conexión a una toma con el voltaje incorrecto puede originar fuego o descargas eléctricas. Sujételo por el enchufe al enchufarlo o desenchufarlo de una toma de electricidad. No tire nunca del cable. Desenchufe el cable de corriente de la toma de electricidad cuando no vaya a utilizar la unidad durante un largo periodo de tiempo.**

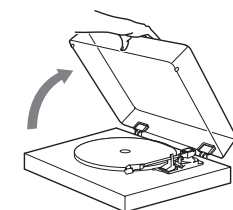
Funcionamiento básico

Reproducción de discos

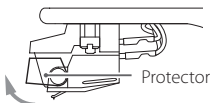
- 1 Pulse el botón STANDBY/ON situado en la parte posterior de la unidad para encenderla.**



- 2 Abra la tapa del plato giradiscos lentamente.**

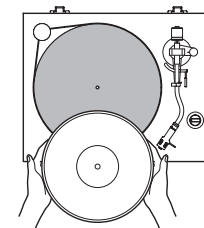


- ⚠ Lleve cuidado de no pillarse la mano, por ejemplo, al abrir y cerrar la tapa del plato giradiscos.**
- 3 Levante el protector de la cápsula.**



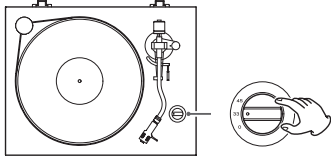
- 4 Coloque un disco en el plato.**

Cuando reproduzca un disco sencillo ("single") de 45 RPM con orificio central grande, utilice el adaptador incluido.

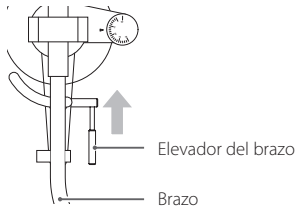


5 Ajuste la velocidad de rotación (RPM) según corresponda al disco y ponga el plato en movimiento.

La velocidad de rotación se puede ajustar en 33 1/3 o 45 RPM.

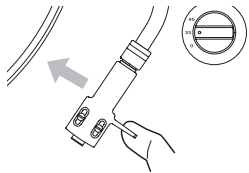


6 Levante el elevador del brazo.



- También puede mover el brazo hasta situarlo sobre el disco sin levantar el elevador, y después bajar el brazo lentamente para comenzar la reproducción.

7 Desplace el brazo hacia el borde del disco o la canción donde desee comenzar la reproducción.



8 Baje el elevador del brazo.

Baje el brazo lentamente hasta que la aguja toque el disco y empiece la reproducción.

- Es recomendable cerrar la tapa del plato giradiscos durante la reproducción para evitar que entre polvo.

⚠ No coloque nada sobre la tapa del plato giradiscos.

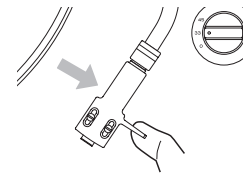
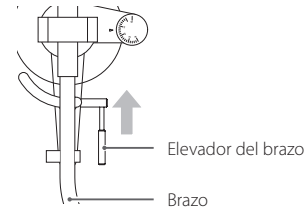
PRECAUCIÓN

- Durante la reproducción no toque ni el brazo ni el disco.
- No detenga el giro del plato durante la reproducción.

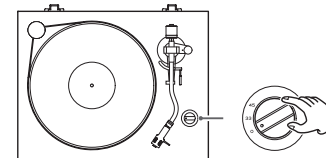
Durante la reproducción de los discos puede producirse realimentación (pitidos conocidos también como "acoples") si el volumen es demasiado alto. Si esto ocurre, baje el volumen del amplificador.

Cuando termine la reproducción

1 Levante ligeramente el elevador del brazo para separar la aguja del disco y vuelva a poner el brazo en su posición original.



2 Gire el mando de ajuste de la velocidad de rotación y póngalo a 0 para detener el plato.



Conecte este reproductor de discos a un ordenador utilizando un cable USB de los que se pueden adquirir en establecimientos comerciales para convertir las señales de audio de un disco a datos digitales y enviarlos al ordenador.

Sistemas operativos compatibles

Se pueden conectar por USB a esta unidad ordenadores que tengan los siguientes sistemas operativos: (a noviembre de 2015):

Sistemas operativos Windows

Windows 7 (32 bits, 64 bits)
Windows 8 (32 bits, 64 bits)
Windows 8.1 (32 bits, 64 bits)
Windows 10 (32 bits, 64 bits)

Mac OS X

OS X Lion 10.7
OS X Mountain Lion 10.8
OS X Mavericks 10.9
OS X Yosemite 10.10
OS X El Capitan 10.11

No está garantizado el funcionamiento con otros sistemas operativos distintos a los mencionados.

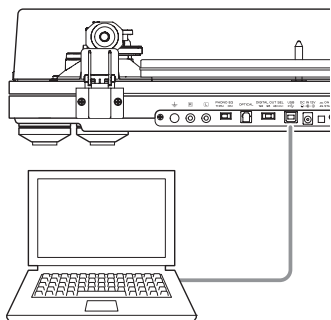
- Esta unidad funcionará con el controlador (driver) estándar del sistema operativo, por lo que no hay necesidad de instalar un controlador especial.

Conexión con un ordenador

1 Encienda el ordenador.

Confirme que el sistema operativo funciona bien.

2 Utilice el cable USB para conectar el ordenador y esta unidad.



- Para la conexión de la unidad a un ordenador, utilice un cable USB con núcleo de ferrita de los que se adquieren en establecimientos comerciales.

3 Pulse el botón STANDBY/ON de esta unidad para encenderla.

Cuando estén conectados, el ordenador detectará automáticamente el puerto USB de esta unidad y la identificará como "USB Audio CODEC".

- Para grabar audio desde este reproductor de discos utilizando un ordenador, deberá primer instalar el software que vaya a utilizar para grabar audio en el ordenador. Puede comprar el software de grabación de audio que prefiera o descargarse por internet un software gratuito, como por ejemplo Audacity (<http://audacity.sourceforge.net/>). Al ser software gratuito, TEAC no ofrece soporte para Audacity.
- Cuando esta unidad se encuentre conectada a un ordenador por USB y esté grabando audio, no realice ninguna de las acciones mencionadas a continuación, ya que puede causar anomalías de funcionamiento en el ordenador. Salga siempre del software de grabación del ordenador antes de:
 - Desconectar el cable USB.
 - Poner la unidad en reposo (standby).

Ajustes del ordenador

Los siguientes ejemplos explican los ajustes a realizar si se utiliza Windows 7.

1 Desde el menú "Inicio", seleccione "Panel de control".

2 Haga clic en "Sonido".

3 Haga clic en la pestaña "Grabar" y confirme que "USB Audio CODEC" es el "Dispositivo predeterminado".

4 Seleccione "Microphone USB Audio CODEC" y haga clic en el botón "Propiedades".

5 Haga clic en la pestaña "Opciones avanzadas".

6 Desde el menú desplegable "Formato predeterminado", seleccione la calidad (formato) de grabación deseada.

ADVERTENCIA

"Canal 2, 16 bit, 48000 Hz (Calidad de DVD)" proporciona alta calidad de audio, pero también requiere más espacio de archivo. Grabar con una frecuencia de muestreo más baja reduce la calidad de audio, pero también utiliza menos espacio de archivo.

7 Haga clic en "Aceptar".

Solución de posibles fallos

Si experimenta algún problema con esta unidad, por favor compruebe los apartados siguientes antes de solicitar asistencia técnica. La causa del problema podría no ser esta unidad. Por favor, compruebe también que los dispositivos conectados están siendo utilizados correctamente.

Si aún así la unidad no funciona correctamente, póngase en contacto con el establecimiento donde adquirió la unidad.

No enciende.

- ➔ Confirme que el cable de corriente está enchufado a una toma de electricidad. A continuación, pulse el botón STANDBY/ON para encender la unidad (página 29).

El volumen es bajo.

- ➔ Cuando conecte los terminales de salida de audio analógico de esta unidad a los terminales de entrada de audio de un amplificador u otro equipo, ponga el interruptor PHONO EQ (ajuste de salida de audio) en ON (página 29).

- ➔ Cuando no utilice el amplificador-ecualizador "phono" de esta unidad, ponga el interruptor PHONO EQ (ajuste de salida de audio) en THRU y conecte los terminales de salida de audio analógico (L/R) a los terminales de entrada PHONO de un amplificador u otro equipo.

Cuando utilice la cápsula incluida (equivalente a una cápsula MM), conéctelos a unos terminales de entrada PHONO que sean compatibles con cápsulas de tipo MM.

Cuando utilice una cápsula MC, ponga el interruptor PHONO EQ (ajuste de salida de audio) en THRU y conéctelos a unos terminales de entrada PHONO del amplificador u otro equipo que sean compatibles con cápsulas de tipo MC. Es posible que los terminales de entrada PHONO tengan la opción de seleccionar el tipo de entrada (MM o MC). Para más información, consulte el manual de instrucciones de dicho equipo.

La reproducción no es posible; hay ruido.

- ➔ Levante el protector (página 29).
- ➔ Limpie la aguja (página 25).
- ➔ Si la aguja está gastada, cámbiela (página 25). La vida útil de una aguja depende de las condiciones de uso, pero normalmente es de unas 300 horas.
- ➔ Coloque la unidad lo más lejos posible de televisiones, hornos microondas y otros dispositivos que emitan ondas electromagnéticas.

Hay ruido cuando se está reproduciendo un disco.

- ➔ Cuando la presión de la aguja es superior al valor especificado de la cápsula, puede producirse ruido. Reajuste la presión de la aguja para que sea la del valor especificado (página 26).

El tono (afinación) de reproducción es incorrecto.

- ➔ Ajuste la velocidad de rotación (RPM) según corresponda al disco (página 29).

El sonido salta.

- ➔ Las vibraciones pueden causar saltos. Coloque esta unidad en un lugar estable.
- ➔ Si el disco está sucio, límpielo.
- ➔ No utilice discos rayados.
- ➔ Equilibre el brazo y vuelva a ajustar la presión de la aguja (página 26). Si la presión de la aguja es menor que el valor designado por la cápsula, es muy probable que se produzcan saltos.

Plato giradiscos

Sistema de tracción tracción por correa de control de alta precisión de tipo rotación-detección
 Motor motor de CCR
 Velocidad de rotación 33 1/3 rpm, 45 rpm
 Precisión de detección de rotación $\pm 0,05\%$ (33 1/3 rpm)
 Lloro y centelleo 0,1 %
 Relación señal-ruido 67 dB o superior
 (ponderado A, 20 kHz LPF)
 Plato giradiscos acrílico, 30 cm de diámetro
 Pedestal madera y mármol artificial

Brazo

Tipo de brazo Brazo en forma de S de equilibrio estático
 Longitud efectiva del brazo 223 mm
 Margen de variación de presión de la aguja 0–5 g
 Peso de cápsula idóneo 15–23 g
 (incluido el cabezal)
 Elevación 18 mm
 Error de seguimiento 3° o inferior
 Margen de ajuste de la altura aprox. 6 mm

Cápsula

Tipo VM (equivalente a MM)
 Voltaje de salida 4,5 mV (1 kHz, 5 cm/s)*
 Presión de la aguja $1,4 \pm 0,4$ g
 Peso de la cápsula $6,5 \pm 0,2$ g
 Peso incluido cabezal
 10 g (incluyendo tornillos, tuercas y cables)

- La vida útil de una aguja depende de las condiciones de uso, pero normalmente es de unas 300 horas.
 - La cápsula instalada en esta unidad es equivalente a la cápsula Audio-Technica AT100E VM Type (la aguja de repuesto para la cápsula instalada es verde; no tiene ningún indicativo de Audio-Technica).
- Nota: Las cápsulas de tipo VM tienen las mismas características que las cápsulas de tipo MM.

*"s": segundo

Voltaje de salida

PHONO EQ THRU 4,5 mV ± 3 dB
 PHONO EQ ON 230 mV (–13 dBV)
 Terminales de salida RCA

Puerto USB

Conforme al estándar USB 2.0 (velocidad completa)
 Conector USB tipo B
 Admite alimentación por bus USB 5 V, 500 mA

- Utilice un cable USB de los que se pueden adquirir en establecimientos comerciales para conectar la unidad a un ordenador y recibir alimentación de él.

Frecuencia de muestreo
 8 kHz, 11.025 kHz, 16 kHz, 22.05 kHz, 32 kHz, 44.1 kHz, 48 kHz
 Profundidad de bits de cuantización 16 bits

Salida de audio digital óptica (OPTICAL)

Salida de –21 a –15 dBm
 Frecuencia de muestreo 48 kHz, 96 kHz, 192 kHz
 Profundidad de bits de cuantización 24 bits

General

Adaptador de corriente
 Entrada CA 100–240 V, 50–60 Hz
 Salida 12 V, 500 mA
 Consumo de corriente
 En reposo (Standby) 0,2 W o menos
 Encendido (On)
 0 2,3 W o menos
 33 3 W o menos
 45 3,25 W o menos
 Peso 9 kg
 Margen de temperatura de funcionamiento ... de 5 °C a 35 °C
 Dimensiones (an. \times al. \times pro.) (incluyendo salientes)
 420 \times 131,5 \times 355 mm

- Datos de rendimiento especificados a 20 °C.

Accesorios incluidos

Alfombrilla del plato giradiscos \times 1
 Adaptador de 45 RPM \times 1
 Contrapeso \times 1
 Cabezal \times 1
 Cápsula estéreo Audio-Technica VM Type (doble imán) (equivalente a AT100E) preinstalada
 Plato giradiscos \times 1
 Cubierta de la polea \times 1
 Arandelas \times 4
 Llave Allen \times 1
 Cable de audio RCA con conductor de tierra \times 1
 Adaptador de corriente (GPE053A-V1 20050-Z) \times 1
 Manual del usuario (este documento, incluyendo la garantía) \times 1

- Las especificaciones y el diseño están sujetos a cambios sin previo aviso.
- El peso y las dimensiones son aproximados.
- Las ilustraciones de este manual pueden diferir ligeramente de los modelos de producción.

CAUTION

RISK OF ELECTRIC SHOCK

DO NOT OPEN

VORSICHT: VERMEIDEN SIE DAS RISIKO EINES STROMSCHLAGS. ENTFERNEN SIE NICHT DIE ABDECKUNG (ODER RÜCKSEITE). DIE BAUTEILE IM GERÄTEINNEREN BEDÜRFTEN NICHT DER WARTUNG DURCH DEN NUTZER. WENDEN SIE SICH IM WARTUNGS-/REPARATURFALL AN DEN QUALIFIZIERTEN SERVICE.

Das Blitzsymbol mit Pfeilspitze in einem gleichseitigen Dreieck weist den Benutzer auf das Vorhandensein einer nicht isolierten „gefährlichen elektrischen Spannung“ im Geräteinneren hin, deren Stärke ausreichen kann, um für Personen ein Stromschlagrisiko darzustellen.

Das Ausrufezeichen in einem gleichseitigen Dreieck weist den Benutzer auf wichtige Bedienungs- und Wartungs- (Reparatur-) Anweisungen in den Dokumentationen hin, die dem Produkt beiliegen.

WARNUNG: ZUR VERMEIDUNG VON BRAND ODER STROMSCHLAG DARF DIESES GERÄT NICHT REGEN ODER FEUCHTIGKEIT AUSGESETZT WERDEN.

WARNUNG

- ENTFERNEN SIE NICHT DAS GEHÄUSE, UM DIE INTERNE ELEKTRONIK FREIZULEGEN. IM GERÄTEINNEREN BEFINDEN SICH KEINE BAUTEILE, DEREN WARTUNG VOM NUTZER VORZUNEHMEN IST.
- SOLLTEN FUNKTIONSSTÖRUNGEN AUFTRETEN, KONTAKTIEREN SIE DEN HÄNDLER, BEI DEM SIE DAS GERÄT ERWORBEN HABEN UND BITTEN SIE UM EINEN SERVICETERMIN. VERWENDEN SIE DAS PRODUKT ERST WIEDER, WENN DIE REPARATUR DURCHGEFÜHRT WURDE.
- DIE VERWENDUNG VON BEDIENELEMENTEN, EINSTELLUNGEN SOWIE DAS ABWEICHEN VON DEN IN DIESEM HANDBUCH BESCHRIEBENEN VERFAHRENSWEISEN KANN ZU GESUNDHEITS-GEFÄHRDENDER STRAHLENBELASTUNG FÜHREN.

- 1) Lesen Sie diese Hinweise.
- 2) Bewahren Sie diese Anweisungen auf.
- 3) Beachten Sie alle Warnungen.
- 4) Befolgen Sie alle Anweisungen.

- 5) Elektrische Geräte sollten nie in der Nähe von Wasser betrieben werden.
- 6) Verwenden Sie zum Reinigen stets ein trockenes Tuch.
- 7) Achten Sie darauf, dass Belüftungsöffnungen nicht verdeckt sind. Beachten Sie bei der Installation die entsprechenden Anweisungen des Herstellers.
- 8) Vermeiden Sie Aufstellungsorte in der Nähe von Wärmequellen, wie Heizkörpern, Wärmespeichern, Öfen, Herden oder anderen Geräten (inklusive Verstärkern), die Wärme abstrahlen.
- 9) Umgehen Sie nie die Sicherheitsfunktionen eines verpolungssicheren oder geerdeten Steckers. Verpolungssichere Stecker besitzen zwei Stromkontakte, von denen einer breiter ist als der andere. Geerdete Stecker (Schutzkontaktstecker) besitzen zwei Stromkontakte sowie einen dritten Erdungskontakt. Beide Steckerausführungen dienen der Sicherheit. Falls der vorhandene Stecker nicht in die verwendete Steckdose passt, lassen Sie den Stecker durch einen Elektriker austauschen.

10) Achten Sie insbesondere im Bereich von Steckern, Steckdosen sowie dem Netzkabelausschuss/anschluss darauf, dass nicht auf das Netzkabel getreten oder das Kabel eingeklemmt werden kann.

11) Verwenden Sie nur vom Hersteller zugelassene Zubehörartikel.

12) Verwenden Sie ausschließlich vom Hersteller empfohlene oder beim Gerätekauf erworbene Rollwagen, Halterungen, Stative, Tische usw. Achten Sie bei Verwendung eines Rollwagens darauf, dass Wagen und Gerät nicht umfallen und Sie verletzen.



13) Trennen Sie Ihr Audiosystem während eines Gewitters oder längerer Nichtverwendung vom Spannungsnetz.

14) Überlassen Sie alle Reparaturen/Wartungsarbeiten qualifiziertem Fachpersonal. Reparatur oder Wartung sind erforderlich, wenn eine Beschädigung jeglicher Art vorliegt. Beispielsweise, wenn das Netzkabel oder der Netzstecker beschädigt sind, Flüssigkeit oder Gegenstände ins Geräteinnere gelangt sind, das Gerät Regen oder Feuchtigkeit ausgesetzt war, nicht mehr ordnungsgemäß funktioniert oder fallen gelassen wurde.

- Es wird auch dann ein geringer Ruhestrom aus dem Netz bezogen, wenn sich der POWER- oder STANDBY/ON-Schalter nicht in der ON-Position befindet.
- Der Netzstecker dient als Verbindungs-/Trennglied zur Spannungsversorgung. Achten Sie darauf, dass er stets in einwandfreiem Zustand ist.
- Achten Sie bei der Verwendung von Kopfhörern auf Ihr Gehör. Zu hoher Schalldruck von Ohr- oder Kopfhörern kann Hörschäden oder Hörverlust verursachen.

WARNUNG

- Vermeiden Sie die Einwirkung von Tropf- oder Spritzwasser.
- Stellen Sie niemals Vasen oder andere mit Flüssigkeiten gefüllte Gefäße auf das Gehäuse.
- Eine Installation in geschlossenen Regalsystemen oder ähnlichen Möbelstücken ist nicht zulässig.
- Wählen Sie einen Betriebsort in der Nähe der Wandsteckdose, so dass der Netzstecker jederzeit zugänglich ist.

KONFORMITÄTserklärung

Hiermit erklärt die TEAC Corporation, dass das Gerät mit den Vorgaben der in Europa geltenden Richtlinien sowie anderer Verordnungen durch die Kommission übereinstimmt.



WICHTIGER HINWEIS

Änderungen oder Modifikationen, die nicht ausdrücklich von der die Konformität zertifizierenden Stelle genehmigt sind, können zum Erlöschen der Betriebserlaubnis führen.

Für Kunden in Europa

Entsorgung von elektrischen sowie elektronischen Altgeräten und Batterien

a) Sofern ein Produkt, die Verpackung und/oder die begleitende Dokumentation durch das Symbol einer durchgestrichenen Abfalltonne gekennzeichnet ist, unterliegt dieses Produkt den europäischen Richtlinien 2002/96/EC und/oder 2006/66/EC sowie nationalen Gesetzen zur Umsetzung dieser Richtlinien.



b) Diese Richtlinien und Gesetze schreiben vor, dass Elektro- und Elektronik-Altgeräte sowie Batterien und Akkus nicht in den Hausmüll (Restmüll) gelangen dürfen. Um die fachgerechte Entsorgung, Aufbereitung und Wiederverwertung sicherzustellen, sind Sie verpflichtet, Altgeräte und entladene Batterien/Akkus an den dafür vorgesehenen Orten zu entsorgen.

c) Durch die ordnungsgemäße Entsorgung solcher Geräte, Batterien und Akkus leisten Sie einen Beitrag zur Einsparung wertvoller Rohstoffe und verhindern potenziell schädliche Auswirkungen auf die Gesundheit der Allgemeinheit und die Umwelt, die durch falsche Abfallentsorgung entstehen können. Die Entsorgung ist für Sie kostenlos.

d) Falls der Gehalt an Blei (Pb), Quecksilber (Hg) und/oder Cadmium (Cd) in Batterien/Akkus die in der Richtlinie zur Batterieentsorgung (2006/66/EC) angegebenen, zulässigen Höchstwerte übersteigen, wird die Bezeichnung des entsprechenden chemischen Elements oder der Elemente unterhalb der durchgestrichenen Abfalltonne angegeben.



e) Weitere Informationen zur Wertstoffsammlung und Wiederverwertung von Altgeräten, Batterien und Akkus erhalten Sie bei Ihrer Stadtverwaltung, dem für Sie zuständigen Abfallentsorgungsunternehmen oder der Verkaufsstelle, bei der Sie das Produkt erworben haben.

Inhaltsverzeichnis

Vielen Dank, dass Sie sich für ein Produkt von TEAC entschieden haben. Bitte lesen Sie dieses Handbuch sorgfältig durch, damit Sie Ihr Gerät optimal verwenden können.

Bewahren Sie das Handbuch an einem sicheren Ort auf, damit Sie zu einem späteren Zeitpunkt darauf zurückgreifen können.

WICHTIGE SICHERHEITSHINWEISE	33
Vorbereitung	34
Handhabung von Schallplatten	35
Anmerkungen zu Tonabnehmern	35
Inbetriebnahme des Plattenspielers	36
Plattenspieler-Abdeckung	38
Auswechseln des Tonabnehmersystems	38
Bezeichnungen und Funktionen	38
Anschlüsse	39
Grundlegende Bedienung	39
Aufnahme mit einem Computer	40
Fehlerbehebung	41
Spezifikationen	42

Apple, Mac, Mac OS and OS X are trademarks of Apple Inc., registered in the U.S. and other countries.

Microsoft and Windows are either registered trademarks or trademarks of Microsoft Corporation in the United States and/or other countries.

Alle anderen Firmen- und Produktnamen sowie Logos in diesem Dokument sind Warenzeichen oder eingetragene Warenzeichen ihres jeweiligen Eigentümers.

Vorbereitung

Lieferumfang

Überprüfen Sie, ob die Verpackung alle im Folgenden aufgeführten Zubehörteile enthält. Sofern etwas fehlt oder auf dem Transportweg beschädigt wurde, setzen Sie sich bitte mit Ihrem Händler in Verbindung.

- Tellerauflage × 1
- 45er-Adapter × 1
- Gegengewicht × 1
- Systemträger × 1
 - Audio-Technica VM Stereo-Tonabnehmersystem (Doppelmagnet, entspricht AT100E) vorinstalliert
- Plattenspieler × 1
- Riemenscheibenabdeckung × 1
- Beilagscheiben × 4
- Sechskantschlüssel × 1
- Cinch-Audio-Kabel mit Masseanschluss × 1
- Gleichstromnetzteil (GPE053A-V120050-Z) × 1
- Bedienungsanleitung (dieses Dokument, enthält Garantiebestimmungen) × 1
 - Bewahren Sie diese Anleitung für Referenzzwecke auf.
 - Die Garantiebestimmungen für die USA und Kanada finden Sie auf der Rückseite dieser Anleitung. Weitere Informationen zu den Garantiebestimmungen finden Sie auf Seite 73.
Weitere Informationen zu den Garantiebestimmungen für Europa und andere Länder bzw. Gebiete finden Sie auf Seite 74.

Hinweise zum Betrieb

- Legen Sie keine Gegenstände auf die Plattenspielerabdeckung, da diese insbesondere bei der Wiedergabe durch Vibrationen Geräusche verursachen oder herunterfallen könnten.
- Vermeiden Sie die Aufstellung in direktem Sonnenlicht, in der Nähe von Wärmequellen oder an ähnlichen Orten. Stellen Sie das Gerät nicht auf einen Verstärker oder andere Wärme produzierende Geräte, um zu verhindern, dass die Betriebstemperatur dieses Geräts überschritten wird, da dies zu Verfärbungen und Verformungen des Gehäuses sowie zu Fehlfunktionen führen kann.

Die weltweite Webseite von TEAC

Updates für das Gerät stehen auf der weltweiten Webseite von TEAC zum Download bereit: <http://teac-global.com/>

- 1) Öffnen Sie die weltweite Webseite von TEAC.
- 2) Klicken Sie im Bereich „Downloads“ auf die gewünschte Sprache, um die Download-Seite für diese Sprache zu öffnen.

ANMERKUNG

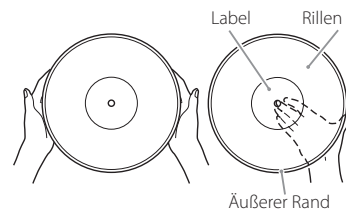
Sollte die gewünschte Sprache nicht angezeigt werden, klicken Sie auf „Other Languages“.

- 3) Wählen Sie im Produkt-Bereich den Produktnamen aus.
- 4) Wählen Sie die benötigten Updates aus, um sie herunterzuladen.

Handhabung von Schallplatten

Umgang mit Schallplatten

Wenn Sie eine Schallplatte halten oder aus ihrer Hülle nehmen, vermeiden Sie es, die Rillen zu berühren, indem Sie die Platte entweder mit einer Hand am Label und am Rand oder mit beiden Händen am Rand halten.



Reinigung

- Fingerabdrücke und Staub können bei der Wiedergabe zu Störgeräuschen und Aussetzern führen und darüber hinaus die Schallplatte und die Nadel beschädigen. Verwenden Sie zum Reinigen einen handelsüblichen Schallplattenreiniger. Verwenden Sie in keinem Fall Verdünner, sondern ausschließlich spezielle Schallplattenreiniger. Andere chemische Mittel können die Oberfläche der Schallplatte beschädigen.
- Wenn Sie Schallplattenreiniger verwenden, wischen Sie in kreisenden Bewegungen entlang der Rillen über die Schallplatte.



Vorsichtsmaßnahmen

- Lassen Sie Schallplatten nicht in direktem Sonnenlicht oder an sehr feuchten oder heißen Orten liegen. Eine längere Lagerung an einem solchen Ort kann zu Verformungen und anderen Schäden an der Schallplatte führen.
- Legen Sie Schallplatten nicht aufeinander und legen Sie keine schweren Gegenstände darauf. Stellen Sie Schallplatten nicht für längere Zeit schräg auf, da auch dies zu Verformungen und anderen Schäden führen kann.
- Bringen Sie keine harten Gegenstände mit den Rillen in Kontakt, da es andernfalls zu Kratzern kommen kann.
- Stecken Sie Ihre Schallplatten nach dem Abspielen zur Aufbewahrung wieder in ihre Hüllen. Eine ungeschützte Schallplatte kann sich verformen oder verkratzen.
- Spielen Sie keine Schallplatte ab, die einen Sprung hat.

Anmerkungen zu Tonabnehmern

- Tonabnehmersysteme sind Präzisionsbauteile und müssen entsprechend sorgfältig behandelt werden, damit die Nadeln nicht verbogen oder beschädigt werden. Eine verbogene oder beschädigte Nadel kann unter Umständen der Rille nicht mehr exakt folgen, was zu Schäden an der Schallplatte führen oder andere Fehlfunktionen verursachen kann.
- Reinigen Sie verschmutzte Nadeln mit einem handelsüblichen Nadelreiniger oder ähnlichem Produkt.
- Reiben Sie die Nadelspitze nicht mit harten Materialien. Reinigen Sie die Nadel nicht mit Verdünner oder anderen chemischen Mitteln, da diese die Nadel beschädigen könnten.

Austauschen der Nadel

Verwenden Sie bitte eine Ersatznadel vom Typ Audio-Technica ATN100E.

- Das installierte Tonabnehmersystem ist baugleich mit dem Audio-Technica AT100E VM. (Die Ersatznadel für das installierte System ist grün und nicht mit dem Audio-Technica-Logo gekennzeichnet.)
Anmerkung: VM-Tonabnehmersysteme haben dieselben Eigenschaften wie MM-Systeme.
- Folgen Sie beim Austausch der Anleitung, die der Ersatznadel beiliegt.

VORSICHT

- Um plötzliche laute Geräusche zu vermeiden, schalten Sie das Gerät in den Standby-Modus, bevor Sie mit der Reinigung beginnen.
- Achten Sie darauf, sich nicht zu verletzen oder das Gerät zu beschädigen.
- Sorgen Sie dafür, dass keine kleinen Kinder Zugriff zu die Nadeln haben, da sie diese verschlucken könnten.

Inbetriebnahme des Plattenspielers

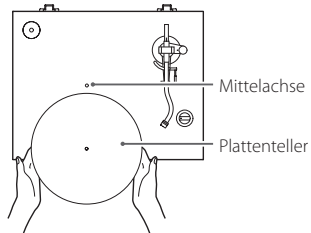
Schalten Sie das Gerät während der Inbetriebnahme in den Standby-Modus (E auf Seite 39).

1 Stellen Sie den Plattenspieler auf einer ebenen Fläche auf.

2 Setzen Sie den Plattenteller ein.

Richten Sie den Plattenteller an der Mittelachse aus und setzen Sie ihn ein.

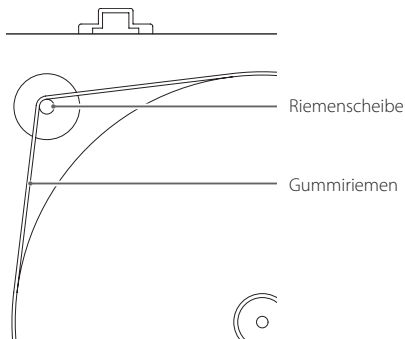
- Die größere Öffnung der Mittelbohrung muss dabei nach unten zeigen.



3 Führen Sie nun den Riemen um das Antriebsrad.

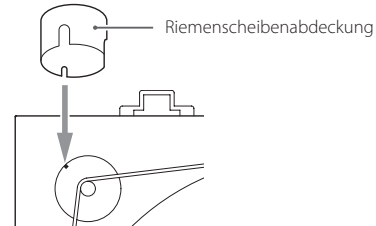
Legen Sie den mitgelieferten Riemen außen um den Plattenteller und hängen Sie ihn in die Riemenscheibe ein.

- Achten Sie darauf, dass der Gummiriemen nicht verdreht ist.
- Prüfen Sie den korrekten Sitz des Riemens, indem Sie den Plattenteller mehrfach mit der Hand drehen.



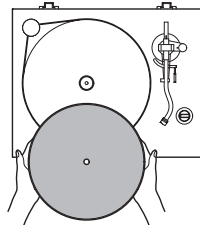
4 Setzen Sie die Abdeckung der Riemenscheibe ein.

Richten Sie den kleinen Ausschnitt in der Riemenscheibenabdeckung wie in der Abbildung unten dargestellt an dem kleinen Zahn an der Riemenscheibe aus. Andernfalls sitzt die Abdeckung schräg auf.



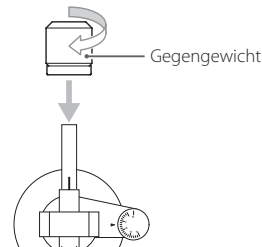
5 Legen Sie die Tellerauflage auf den Plattenteller.

Legen Sie die mitgelieferte Plattentellermatte auf den Plattenteller, bevor Sie die erste Schallplatte auflegen.



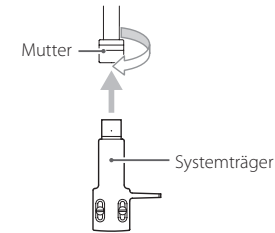
6 Installieren Sie das Gegengewicht.

Schieben Sie das Gegengewicht über das Ende des Tonarms und schrauben Sie es mit sanftem Druck im Uhrzeigersinn fest.



7 Installieren Sie den Systemträger.

Stecken Sie den Systemträger am anderen Ende des Tonarms ein und sichern Sie ihn mit der Mutter.



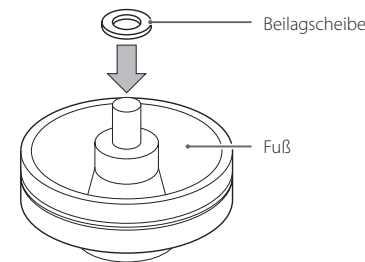
Ausrichtung und Feineinstellung

Um eine ebene Aufstellung des Plattenspielers sicherzustellen, empfehlen wir den Einsatz einer separat erhältlichen Plattenspieler-Libelle oder einem ähnlichen Hilfsmittel. Sofern der Plattenspieler nicht exakt ausgerichtet ist, korrigieren Sie dies wie im Folgenden dargestellt mit Hilfe der höhenverstellbaren Füße.

- Bei sehr ausgeprägten Unebenheiten reicht diese Methode eventuell nicht aus.

1 Drehen Sie den Fuß an der niedrigsten Ecke entgegen dem Uhrzeigersinn heraus.

2 Setzen Sie eine der mitgelieferten Beilagscheiben ein.

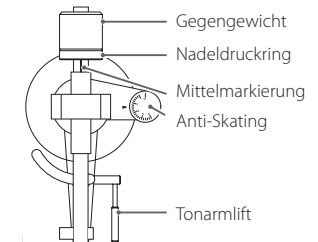


3 Befestigen Sie den Fuß an der ursprünglichen Stelle.

4 Drücken Sie den Plattenspieler in den vier Ecken nach unten, um eine gleichmäßige Gewichtsverteilung auf die vier Füße sicherzustellen.

Sofern das Gerät an einer der Ecken kipzelt, setzen Sie an diesem Fuß wie oben beschrieben eine Beilagscheibe ein.

Ausbalancieren des Tonarms und Einstellen des Auflagedrucks der Nadel

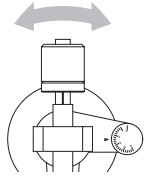


1 Stellen Sie das Anti-Skating-Rad auf null.

2 Heben Sie den Tonarm mit dem Lift-Hebel an und schieben Sie ihn dann ein Stück nach links.

3 Senken Sie den Lift-Hebel.

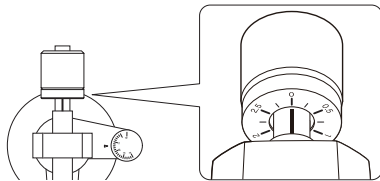
- 4 Justieren Sie das Gegengewicht durch Drehen so, dass der Tonarm waagrecht ausgerichtet ist.**



- Klappen Sie zuerst die Schutzkappe nach unten, um den Tonabnehmer während der Einstellung zu schützen.
- Achten Sie darauf, dass die Nadel nicht mit dem Gerät in Berührung kommt.

- 5 Bringen Sie den Tonarm wieder in seine Ausgangsposition auf der Tonarmstütze.**

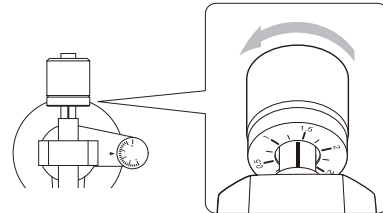
- 6 Drehen Sie den Ring für den Nadeldruck so, dass die Markierungslinie der Mittelstellung auf „0“ ausgerichtet ist.**



- Drehen Sie dabei ausschließlich den Ring. Stellen Sie sicher, dass das Gegengewicht nicht verdreht wird.

- 7 Drehen Sie nun das Gegengewicht und stellen Sie auf der Skala für den Nadel- druckring den für den Tonabnehmer angegebenen Wert ein.**

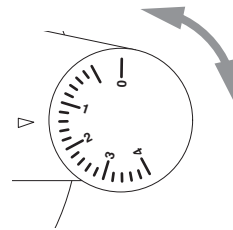
- Der Anpressdruck für den mitgelieferten Tonabnehmer beträgt 1,4 g.
Wenn Sie den mitgelieferten Tonabnehmer einsetzen, stellen Sie entsprechend auf der Gegengewicht-Skala den Wert 1,4 ein.



- Drehen Sie es nach rechts von 0 in Richtung 0,5 und 1,0.

- 8 Stellen Sie das Anti-Skating-Rad ein.**

Beginnen Sie bei Position 1,4 und stellen Sie es während der Wiedergabe einer Platte (Seite 39) so ein, dass die Lautstärke links und rechts ausgewogen ist.



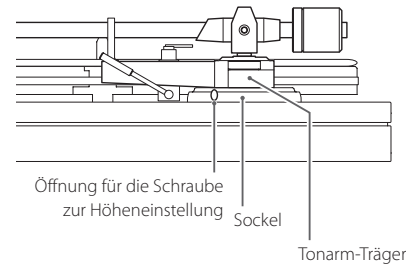
Einstellen der Tonarm-Höhe

Sofern der Tonarm nach dem Wechsel des Tonabnehmersystems oder Systemträgers während der Wiedergabe einer Platte nicht ausbalanciert ist, gehen Sie wie folgt vor, um die Höhe des Tonarms einzustellen.

- 1 Legen Sie eine Platte auf den Plattenteller und setzen Sie die Nadel am Rand der Platte auf.**

- Die Platte darf in diesem Moment nicht gestartet werden.

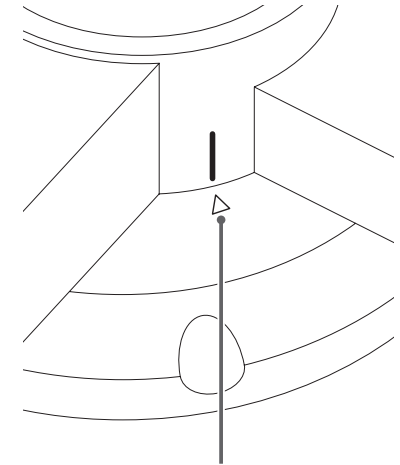
- 2 Führen Sie den mitgelieferten Sechskantschlüssel in die Öffnung mit der Schraube für die Höheneinstellung ein und drehen Sie sie gegen den Uhrzeigersinn auf, um den Tonarm-Träger zu lösen.**



- 3 Halten Sie den Tonarm-Träger fest und passen Sie die Höhe an, um den Tonarm auszubalancieren.**

- Achten Sie darauf, dass der Tonarm während der Höhen-Anpassung nicht nach links oder rechts schwenkt.

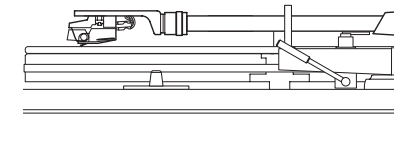
- 4 Drehen Sie die Sechskantschraube im Uhrzeigersinn, um den Träger für den Tonarm zu fixieren.**



Markierung zur Ausrichtung

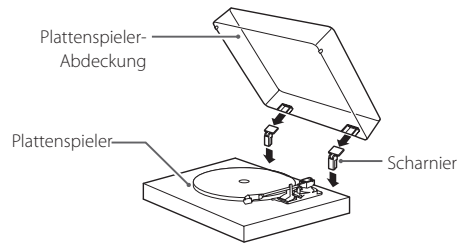
Der Tonarm-Träger kann bezogen auf den Sockel nach links oder rechts bewegt werden. Richten Sie die (weiße) Linie am Träger auf die ▲ Markierung auf dem Sockel aus, bevor Sie ihn fixieren.

- 5 Starten Sie nun die Wiedergabe der Platte und vergewissern Sie sich, dass der Tonarm ausbalanciert ist.**



Plattenspieler-Abdeckung

Anbringen der Plattenspieler-Abdeckung



1 Führen Sie die Scharniere vollständig in die linke und rechte Scharnieröffnung auf der Rückseite des Plattenspielers ein.

2 Richten Sie die Scharnieroberteile auf die Öffnungen der Abdeckung aus und führen Sie sie ein.

Abnehmen der Plattenspieler-Abdeckung

Halten Sie die Abdeckung an beiden Seiten und heben Sie sie leicht an, um die Abdeckung zusammen mit den Scharnieren aus dem Gerät herauszuziehen. Anschließend ziehen Sie die Scharniere aus der Plattenspieler-Abdeckung.

Öffnen und Schließen der Abdeckung

Öffnen

Fassen Sie die Plattenspieler-Abdeckung am vorderen Rand an und klappen Sie sie vollständig nach oben. Die Abdeckung bleibt nun in dieser Position geöffnet.

Schließen

Klappen Sie die Plattenspieler-Abdeckung wieder nach unten, bis sie geschlossen ist.

⚠ Achten Sie beim Öffnen und Schließen darauf, Ihre Hand nicht einzuklemmen.

Auswechseln des Tonabnehmersystems

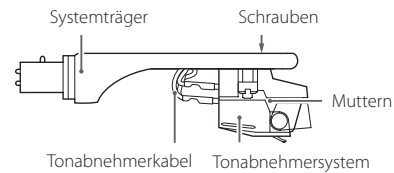
Um das Tonabnehmersystem zu wechseln, ziehen Sie zuerst den Systemträger vom Tonarm ab.

- Das installierte Tonabnehmersystem ist baugleich mit dem Audio-Technica AT100E VM. (Die Ersatznadel für das installierte System ist grün und nicht mit dem Audio-Technica-Logo gekennzeichnet.)

ANMERKUNG

VM-Tonabnehmersysteme haben dieselben Eigenschaften wie MM-Systeme.

- Wir empfehlen, die Schutzkappe vor den Tonabnehmer zu klappen, bevor Sie fortfahren.

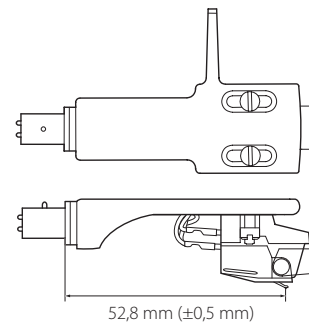


1 Ziehen Sie die Tonabnehmerkabel vom System ab.

2 Lösen Sie die Schrauben und entfernen Sie das Tonabnehmersystem.

3 Installieren Sie das neue System und ziehen Sie die Schrauben an.

In der Abbildung unten sind die Positionen der Schrauben nach Abschluss der Montage dargestellt.



4 Verbinden Sie die Tonabnehmerkabel mit dem System.

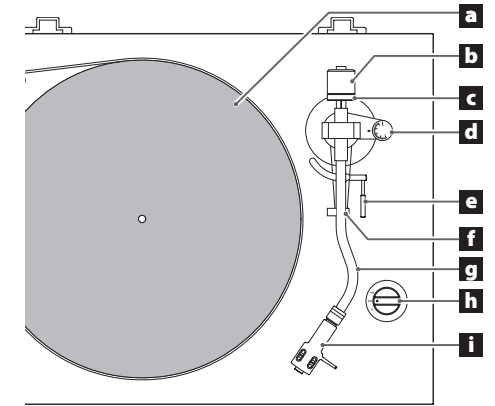
- Die Zuordnung zwischen den Signalen und Kabelfarben ist unten dargestellt.

Signal	Farbe
Linker Kanal +	Weiß
Linker Kanal -	Blau
Rechter Kanal +	Rot
Rechter Kanal -	Grün

5 Balancieren Sie den Tonarm aus und stellen Sie den Auflagedruck der Nadel ein.

Folgen Sie den Anleitungen im Abschnitt „Ausbalancieren des Tonarms und Einstellen des Auflagedrucks der Nadel“ auf Seite 36.

Bezeichnungen und Funktionen



a Plattenspieler

Legen Sie Platten mittig auf den Plattenteller.

b Gegengewicht

c Nadeldruckring

d Anti-Skating-Rad

e Tonarmlift

Mit dem Armlift können Sie den Tonarm und damit die Nadelspitze sicherer und präziser auf der Platte aufsetzen bzw. von ihr abheben.

f Tonarm-Stütze

Auf dieser Stütze können Sie den Tonarm ablegen.

g Tonarm

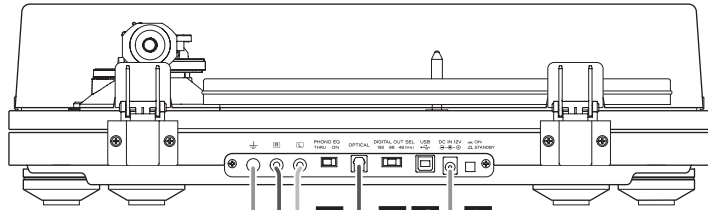
h Drehzahl-Regler

Hier stellen Sie die für die Umdrehungszahl (UpM) für die jeweilige Platte ein. In der Stellung 0 hält der Antrieb an.

i Systemträger

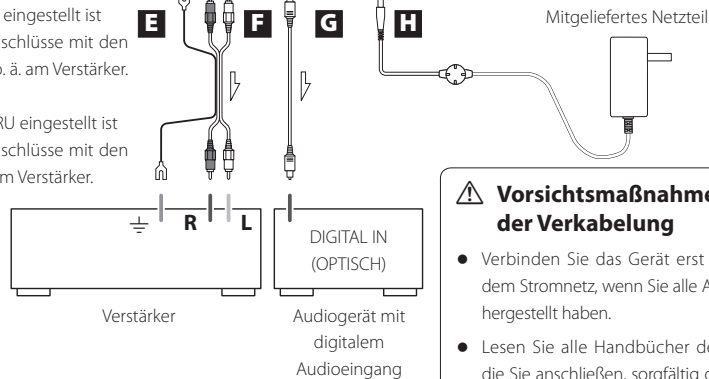
Hierbei handelt es sich um einen Universalträger, bei dem sich das System besonders einfach austauschen lässt.

Anschlüsse



Wenn PHONO EQ auf ON eingestellt ist
Verbinden Sie die Anschlüsse mit den
Line-Audiobuchsen o. ä. am Verstärker.

Wenn PHONO EQ auf THRU eingestellt ist
Verbinden Sie die Anschlüsse mit den
PHONO-Eingängen am Verstärker.



⚠ Vorsichtsmaßnahmen bei der Verkabelung

- Verbinden Sie das Gerät erst dann mit dem Stromnetz, wenn Sie alle Anschlüsse hergestellt haben.
- Lesen Sie alle Handbücher der Geräte, die Sie anschließen, sorgfältig durch und verkabeln Sie diese wie dort beschrieben.

A Schalter PHONO EQ (Einstellung für die Audioausgabe)

ON

In dieser Stellung werden die Signale über einen internen Phono-Vorverstärker entzerrt, der auch MM-Systeme unterstützt, und über die analogen Audioausgänge (L/R) ausgegeben.

THRU

In dieser Stellung wird das Signal des MC- oder MM-Systems direkt über die analogen Audioausgänge (L/R) ausgegeben.

In dieser Stellung müssen Sie die PHONO-Eingänge am externen Equipment wählen.

- Ab Werk ist dieser Schalter auf ON voreingestellt.
- Stellen Sie diesen Schalter auf ON, wenn ein Gerät am digitalen Audioausgang OPTICAL oder dem USB-Port angeschlossen ist.

VORSICHT

In der Stellung ON sollten Sie in keinem Fall die PHONO-Eingänge eines Verstärkers verwenden. Andernfalls wird ein besonders lautes Signal über die Lautsprecher und Kopfhörer ausgegeben, das externe Geräte oder auch das Gehör schädigen kann.

B Schalter für die digitale Audioausgabe (DIGITAL OUT SEL)

Damit stellen Sie die Samplingfrequenz für den optischen Digitalausgang ein.

- Die maximal unterstützte Samplingfrequenz ist 192 kHz.

C USB-Port (USB-Typ B)

Verbinden Sie diesen Anschluss mit dem USB-Port eines Computers, um das Audiosignal des Plattenspielers digital zu wandeln und an den Computer auszugeben (Seite 40).

D Taste STANDBY/ON

Mit der STANDBY/ON-Taste schalten Sie das Gerät ein oder aktivieren den Standby-Modus.

E Masseanschluss (⊖)

Über das Massekabel des mitgelieferten Cinch-Audiokabels verbinden Sie diesen Massepunkt beispielsweise mit dem Masseanschluss des Verstärkers.

- Hierbei handelt es sich allerdings NICHT um einen elektrischen Schutzleiter.

F Analoge Audioausgänge (L/R)

Über diese Anschlüsse wird das analoge Audiosignal ausgegeben.

Über den Schalter PHONO EQ wählen Sie dabei die Art des Ausgangssignals.

Mit dem mitgelieferten Cinch-Audiokabel verbinden Sie externes Equipment mit den Ausgängen dieses Geräts.

G Digitale Audioausgänge OPTICAL

Hier wird das digitale Audiosignal ausgegeben.

Verbinden Sie diesen Anschluss mit dem optischen Digital-Eingang eines entsprechenden Empfangsgeräts.

Verwenden Sie zum Anschluss ein handelsübliches optisches TOSLINK-Digitalkabel.

H DC-Netzteilanschluss

Nachdem Sie die gesamte Verkabelung vorgenommen haben, schließen Sie das mitgelieferte Netzteil an dieser Buchse an.

Stellen Sie sicher, dass das Netzteil an einer Netzsteckdose angeschlossen ist.

- Wenn Sie das Gerät für einen längeren Zeitraum nicht verwenden werden, trennen Sie das Netzteil vom Stromnetz.
- Verwenden Sie ausschließlich das Netzteil aus dem Lieferumfang.

⚠ **Schließen Sie das Netzteil nur an einer Netzsteckdose mit der richtigen Spannung an. Der Anschluss an einer Steckdose mit der falschen Netzspannung kann zu einem Brand oder Stromschlag führen.**

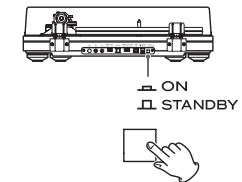
Fassen Sie das Netzteil beim Einstecken oder Abziehen immer am Stecker selbst an. Ziehen oder reißen Sie niemals am Stromkabel selbst.

Wenn Sie das Gerät für einen längeren Zeitraum nicht verwenden werden, trennen Sie das Netzteil vom Stromnetz.

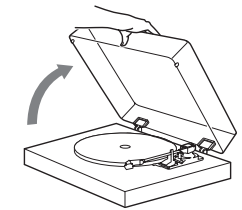
Grundlegende Bedienung

Wiedergabe von Schallplatten

1 Schalten Sie das Gerät über die Taste STANDBY/ON auf der Rückseite ein.

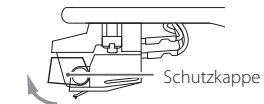


2 Öffnen Sie langsam die Abdeckung.



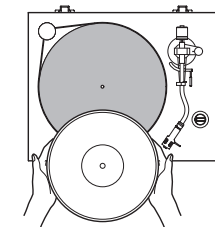
⚠ **Achten Sie beim Öffnen und Schließen darauf, Ihre Hand nicht einzuklemmen.**

3 Klappen Sie die Schutzkappe des Tonabnehmers nach oben.



4 Legen Sie die Schallplatte auf den Teller.

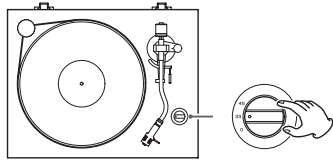
Wenn Sie eine Vinyl-Single mit 45 Umdrehungen pro Minute ohne Single-Stern wiedergeben möchten, verwenden Sie den mitgelieferten Puck-Adapter.



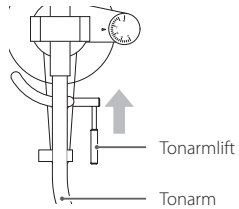
Fortsetzung auf der nächsten Seite →

5 Stellen Sie die Drehzahl für die Platte ein und starten Sie den Plattenspieler.

Zur Auswahl stehen 33 1/3 oder 45 UpM.

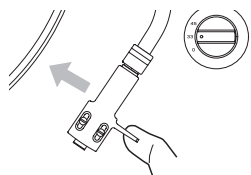


6 Heben Sie den Tonarm mit dem Lift-Hebel an.



- Sie können den Tonarm auch ohne den Tonarm-Lift anheben und die Nadel dann vorsichtig auf der Platte aufsetzen, um mit der Wiedergabe zu beginnen.

7 Richten Sie den Tonarm auf den Rand der Platte oder einen beliebigen Track aus, den Sie wiedergeben möchten.



8 Senken Sie den Lift-Hebel.

Lassen Sie den Tonarm langsam ab, bis die Nadelspitze die Platte berührt und die Wiedergabe beginnt.

- Wir empfehlen, die Plattenspieler-Abdeckung während der Wiedergabe zu schließen, um die Nadel gegen Staub zu schützen.

⚠ Legen Sie keine Gegenstände auf der Plattenspieler-Abdeckung ab.

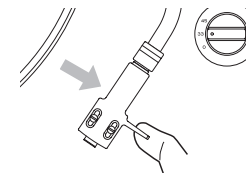
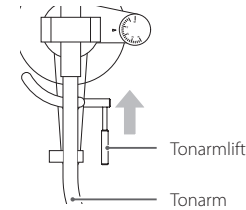
VORSICHT

- Berühren Sie während der Wiedergabe weder den Tonarm noch die Schallplatte.
- Halten Sie den Plattenteller nicht während der Wiedergabe an.

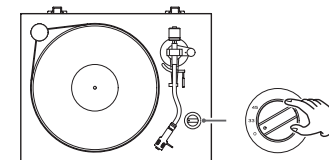
Bei zu hoher Lautstärke kann es während der Wiedergabe zu Rückkopplungen kommen. In diesem Fall senken Sie die Lautstärke des Verstärkers ab.

Nach dem Ende der Wiedergabe

1 Heben Sie den Tonarm bzw. die Nadel mit dem Tonarmlift von der Platte ab und bewegen Sie den Tonarm in die Ausgangsposition zurück.



2 Stellen Sie den Drehzahl-Regler auf 0, um den Antrieb anzuhalten.



Schließen Sie diesen Plattenspieler mit einem herkömmlichen USB-Kabel an einem Computer an, um das Audiosignal einer Platte in digitale Daten zu wandeln und an den Computer auszugeben.

Unterstützte Betriebssysteme

Über USB können Computer mit folgenden Betriebssystemen an diesem Gerät angeschlossen werden (Stand November 2015).

Windows

Windows 7 (32/64 Bit)
Windows 8 (32/64 Bit)
Windows 8,1 (32/64 Bit)
Windows 10 (32/64 Bit)

Mac OS X

OS X Lion 10.7
OS X Mountain Lion 10.8
OS X Mavericks 10.9
OS X Yosemite 10.10
OS X El Capitan 10.11

Für den Einsatz mit anderen Betriebssystemen kann keine Gewähr übernommen werden.

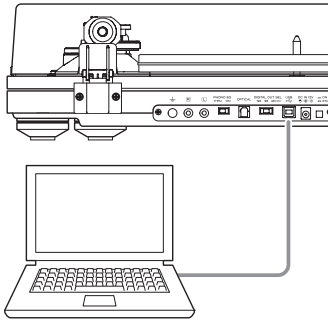
- Das Gerät wird von dem in das Betriebssystem integrierten Treiber unterstützt, sodass kein spezieller Treiber installiert werden muss.

Anschluss an einen Computer

1 Schalten Sie den Computer ein.

Vergewissern Sie sich, dass das Betriebssystem fehlerfrei arbeitet.

2 Verbinden Sie das Gerät über das USB-Kabel mit dem Computer.



- Verwenden Sie zum Anschluss des Geräts an einen Computer ein handelsübliches USB-Kabel mit Ferritkern.

3 Schalten Sie das Gerät mit der Taste STANDBY/ON ein.

Nach dem Anschluss erkennt der Computer den USB-Port des Plattenspielers automatisch und meldet ihn als „USB Audio CODEC“ an.

- Um das Audiosignal des Plattenspielers auf dem Computer aufzunehmen, müssen Sie zuerst eine geeignete Audio-Software installieren. Sie können die Aufnahme-Software separat kaufen oder eine kostenfreie Software wie Audacity (<http://audacity.sourceforge.net/>) aus dem Internet herunterladen. Als kostenfreie Software wird Audacity nicht von TEAC unterstützt.
- Vermeiden Sie folgende Aktionen, wenn der Plattenspieler für die Audioaufnahme über USB am Computer angeschlossen ist. Andernfalls kann es zu Fehlfunktionen kommen. Beenden Sie in jedem Fall die Aufnahme-Software auf dem Computer, bevor Sie eine der folgenden Aktionen ausführen.
 - Trennen der USB-Verbindung
 - Aktivieren des Standby-Modus

Computer-Einstellungen

Das folgende Beispiel erläutert die für Windows 7 empfohlenen Einstellungen.

1 Öffnen Sie die Systemsteuerung über das Start-Menü.

2 Klicken Sie auf „Sound“.

3 Klicken Sie auf den Reiter „Aufnahme“ und stellen Sie sicher, dass „USB Audio CODEC“ im Abschnitt „Als Standard“ eingestellt ist.

4 Wählen Sie „Microphone USB Audio CODEC“ und klicken Sie auf die Schaltfläche „Eigenschaften“.

5 Klicken Sie auf den Reiter „Erweitert“.

6 Wählen Sie nun aus dem Einblendmenü „Standardformat“ die gewünschte Aufnahmequalität (Format).

TIPP

Die Option „2 Kanal, 16 Bit, 48000 Hz (DVD-Qualität)“ garantiert eine hohe Audioqualität, belegt aber auch mehr Speicherplatz. Bei der Aufnahme mit einer geringeren Samplingfrequenz nimmt die Audioqualität ab, allerdings wird auch weniger Speicherplatz belegt.

7 Klicken Sie auf „OK“.

Fehlerbehebung

Bei Problemen mit dem Gerät überprüfen Sie zuerst die folgenden Punkte, bevor Sie den Service kontaktieren. Eventuell ist das Gerät gar nicht der Grund für das Problem. Stellen Sie zudem sicher, dass die angeschlossenen Geräte ordnungsgemäß verwendet werden.

Wenn weiterhin Fehler auftreten, wenden Sie sich zuerst an den Händler, bei dem Sie das Gerät gekauft haben.

Keine Stromversorgung.

- ➔ Stellen Sie sicher, dass das Netzteil an einer Netzsteckdose angeschlossen ist. Drücken Sie anschließend die STANDBY/ON-Taste, um das Gerät einzuschalten (Seite 39).

Geringe Lautstärke.

- ➔ Bei Anschluss des Geräts über seine Audio-Ausgänge an den Audio-Eingängen eines Verstärkers oder eines anderen Geräts stellen Sie den Schalter PHONO EQ (Einstellung für den Audio-Ausgang) auf ON (Seite 39).
- ➔ Wenn Sie den internen Phono-Vorverstärker des Geräts nicht verwenden, stellen Sie den Schalter PHONO EQ (Einstellung für die Audio-Ausgabe) auf THRU und verbinden die analogen Audioausgänge (L/R) mit den PHONO-Eingängen eines Verstärkers oder anderen Geräts.

Wenn Sie das mitgelieferte (MM-)Tonabnehmer-System verwenden, verbinden Sie die Ausgänge mit MM-kompatiblen PHONO-Eingängen.

Wenn Sie ein MC-Tonabnehmer-System verwenden, stellen Sie den Schalter PHONO EQ (Einstellung für die Audio-Ausgabe) auf THRU und verbinden die Ausgänge mit MC-kompatiblen PHONO-Eingängen am Verstärker oder anderen Gerät. Bei einigen Geräten können die PHONO-Eingänge zwischen MM und MC umgeschaltet werden. Details dazu finden Sie in der Bedienungsanleitung des jeweiligen Geräts.

Keine Wiedergabe möglich, viele Nebengeräusche.

- ➔ Klappen Sie die Schutzkappe nach oben (Seite 39).
- ➔ Säubern Sie die Nadelspitze (Seite 35).
- ➔ Wenn die Nadel abgenutzt ist, ersetzen Sie sie (Seite 35). Die Nutzungsdauer hängt von den jeweiligen Nutzung ab, sollte aber für gewöhnlich ca. 300 Stunden betragen.
- ➔ Stellen Sie das Gerät so weit wie möglich entfernt von TV-Geräten, Mikrowellen und anderen Geräten auf, die stark elektromagnetisch sind.

Bei der Wiedergabe einer Platte kommt es zu Nebengeräuschen.

- ➔ Wenn der Auflagedruck der Nadel größer ist als für den Tonabnehmer empfohlen, kann es zu Nebengeräuschen kommen. Korrigieren Sie den Auflagedruck auf den spezifizierten Wert (Seite 36).

Die Tonhöhe stimmt nicht.

- ➔ Stellen Sie die Umdrehungszahl (UpM) für die jeweilige Platte korrekt ein (Seite 39).

Die Wiedergabe springt.

- ➔ Durch Vibrationen kann es zu Sprüngen kommen. Stellen Sie das Gerät auf stabilem Untergrund auf.
- ➔ Wenn die Platte verschmutzt ist, reinigen Sie sie.
- ➔ Spielen Sie keine verkratzte Schallplatte ab.
- ➔ Balancieren Sie den Tonarm aus und stellen Sie den Auflagedruck der Nadel erneut ein (Seite 36). Wenn der Auflagedruck geringer ist als für das System vorgeschrieben, nimmt die Wahrscheinlichkeit zu, dass die Nadel springt.

Plattenspieler

Antriebssystem
Hochpräziser Riemenantrieb mit Drehrichtungserkennung
Motor Gleichstrommotor
Drehgeschwindigkeiten 33 1/3 UpM, 45 UpM
Genauigkeit der Drehzahlmessung ±0,05% (33 1/3 UpM)
Gleichlaufschwankungen 0,1%
Rauschabstand... 67 dB oder größer (A-gewichtet, 20 kHz LPF)
Plattenteller Acryl, 30 cm Durchmesser
Sockel Künstlicher Marmor und Holz

Tonarm

Tonarmtyp Statisch ausbalancierter, S-förmiger Tonarm
Effektive Tonarmlänge 223 mm
Einstellbereich für Nadel-Auflagedruck 0–5 g
Zulässiges System-Gewicht 15–23 g
(inkl. Systemträger)
Überstand 18 mm
Abtastfehler 3° oder weniger
Einstellbarer Höhenbereich Tonarm ca. 6 mm

Tonabnehmersystem

Typ VM (entspricht MM)
Ausgangsspannung 4,5 mV (bei 1 kHz, 5 cm/s)
Auflagedruck 1,4 g (±0,4 g)
Tonabnehmergewicht 6,5 g (±0,2 g)
Gesamtgewicht Systemträger
10 g (inkl. Schrauben, Muttern und Kabeln)

- Die Nutzungsdauer hängt von den jeweiligen Umständen ab, sollte aber für gewöhnlich ca. 300 Stunden betragen.
- Das installierte Tonabnehmersystem ist baugleich mit dem Audio-Technica AT100E VM. (Die Ersatznadel für das installierte System ist grün und nicht mit dem Audio-Technica-Logo gekennzeichnet.)
Anmerkung: VM-Tonabnehmersysteme haben dieselben Eigenschaften wie MM-Systeme.

Ausgangsspannung

PHONO EQ THRU 4,5 mV, ±3 dB
PHONO EQ ON 230 mV (–13 dBV)
Anschlüsse Cinch

USB-Port

Mit USB 2.0 (Full Speed) kompatibel
USB-Anschluss Typ B
USB-Bus-Spannungsversorgung 5 V, 500 mA

- Verwenden Sie ein handelsübliches USB-Kabel, um das Gerät am Computer anzuschließen und von dort mit Spannung zu versorgen.

Samplingfrequenz
8 kHz, 11,025 kHz, 16 kHz, 22,05 kHz, 32 kHz, 44,1 kHz, 48 kHz
Quantisierungswortbreite 16 Bit

Optischer Digital-Audioausgang (OPTICAL)

Ausgang –21,0 bis –15,0 dBm
Samplingfrequenz 48 kHz, 96 kHz, 192 kHz
Quantisierungswortbreite 24 Bit

Allgemein

Spannungsversorgung Netzteil
Eingang AC 100–240 V, 50–60 Hz
Ausgang 12 V, 500 mA
Leistungsaufnahme
Standby 0,2 W oder weniger
On
0 2,3 W oder weniger
33 3 W oder weniger
45 3,25 W oder weniger
Gewicht 9 kg
Betriebstemperatur 5°C bis 35°C
Abmessungen (B × H × T, inkl. Überständen)
420 × 131,5 × 355 mm

- Alle Leistungsdaten wurden bei 20°C spezifiziert.

Zubehör im Lieferumfang

Tellerauflage × 1
45er-Adapter × 1
Gegengewicht × 1
Systemträger × 1
Audio-Technica VM Stereo-Tonabnehmersystem
(Doppelmagnet) (entspricht AT100E) vorinstalliert
Plattenspieler × 1
Riemenscheibenabdeckung × 1
Beilagscheiben × 4
Sechskantschlüssel × 1
Cinch-Audio-Kabel mit Masseanschluss × 1
Gleichstromnetzteil (GPE053A-V1 20050-Z) × 1
Bedienungsanleitung
(dieses Dokument, enthält Garantiebestimmungen) × 1

- Spezifikationen und Design können ohne vorherige Ankündigung geändert werden.
- Gewicht und Abmessungen sind Näherungswerte.
- Alle Abbildungen in dieser Bedienungsanleitung können geringfügig von den Produktionsmodellen abweichen.

IMPORTANTI ISTRUZIONI PER LA SICUREZZA



CAUTELA: PER RIDURRE IL RISCHIO DI SCOSSE ELETTRICHE, NON RIMUOVERE IL COPERCHIO (O IL RETRO). NON CI SONO PARTI RIPARABILI ALL'INTERNO DESTINATE ALL'UTENTE. PER LE RIPARAZIONI RIVOLGERSI SOLO A PERSONALE QUALIFICATO.

Il simbolo di un fulmine appuntito dentro un triangolo equilatero avverte l'utente della presenza di "tensioni pericolose" non isolate all'interno del contenitore del prodotto che possono essere di intensità sufficiente per costituire un rischio di scossa elettrica alle persone.



Il punto esclamativo all'interno di un triangolo equilatero avverte l'utente della presenza di importanti istruzioni operative e di manutenzione nella documentazione che accompagna l'apparecchio.



AVVERTENZA: PER PREVENIRE IL PERICOLO DI INCENDI O DI FOLGORAZIONE, NON ESPORRE QUESTO APPARATO ALLA PIOGGIA O ALL'UMIDITÀ.

CAUTELA

- NON RIMUOVERE IL COPERCHIO O L'INVOLUCRO ESTERNO PER ESPORRE LE PARTI ELETTRICHE. ALL'INTERNO NON CI SONO PARTI RIPARABILI DALL'UTENTE.
- SE SI VERIFICANO PROBLEMI CON QUESTO PRODOTTO, CONTATTARE IL NEGOZIO DOVE È STATO ACQUISTATO L'APPARECCHIO PER UNA RIPARAZIONE. NON USARE IL PRODOTTO FINO A CHE NON SIA STATO RIPARATO.
- L'USO DI CONTROLLI O REGOLAZIONI O L'ESECUZIONE DI PROCEDURE DIVERSE DA QUELLE SPECIFICATE QUI POTREBBERO PROVOCARE PERICOLOSE ESPOSIZIONI A RADIAZIONI.

- 1) Leggere le seguenti istruzioni.
- 2) Conservare queste istruzioni.
- 3) Prestare attenzione agli avvertimenti.
- 4) Seguire tutte le istruzioni.
- 5) Non usare l'apparecchio vicino all'acqua.

- 6) Pulire solo con un panno asciutto.
- 7) Non bloccare le aperture per la ventilazione. Installare secondo le istruzioni del costruttore.
- 8) Non installare l'apparecchio vicino a fonti di calore come radiatori, regolatori di calore, stufe o altri apparecchi che producono calore (inclusi gli amplificatori).
- 9) Non eliminare la spina polarizzata di sicurezza o la spina di messa a terra. La spina polarizzata ha due lame, una più larga dell'altra. Una spina di messa a terra ha due lame e una terza punta di messa terra. La lama larga o la terza punta sono fornite per la vostra sicurezza. Se la spina fornita non è adatta al tipo di presa, consultate un elettricista per sostituire la presa obsoleta.
- 10) Non calpestare o stratonare il cordone di alimentazione, in modo particolare vicino alla spina e alla presa a cui è collegato l'apparecchio e dal punto in cui esce dall'apparecchio.
- 11) Usare solamente attacchi/accessori specificati dal costruttore.
- 12) Usare solo carrello, supporto, treppiede, mensola o tavola specificata dal costruttore o venduto insieme all'apparecchio. Quando viene usato un carrello, prestare attenzione quando si sposta la combinazione carrello/apparato per evitare cadute da sopra.
- 13) Scollegare questo apparato durante temporali o quando non viene utilizzato per lunghi periodi di tempo.
- 14) Rivolgersi solo a personale qualificato. La riparazione è richiesta quando l'apparecchio è stato danneggiato in qualunque modo, come nel caso che il cordone dell'alimentazione o la spina siano stati danneggiati, l'apparecchio sia stato esposto a pioggia o umidità, non funzioni correttamente o sia stato lasciato cadere.



- Questo apparecchio consuma una quantità di corrente elettrica irrilevante dalla presa di rete mentre il suo interruttore POWER o STANDBY/ON non è in posizione ON.
- La presa di rete è utilizzata come dispositivo di sconnessione; il quale dovrebbe restare sempre operabile.
- Si deve usare cautela quando si usano gli auricolari o le cuffie con il prodotto, perché un eccesso di pressione sonora (volume) negli auricolari o nelle cuffie può causare la perdita dell'udito.

CAUTELA

- Non esporre questo apparecchio a gocce o schizzi.
- Non appoggiare alcun contenitore, come un vaso, pieno d'acqua sopra l'apparecchio.
- Non installare questo apparecchio in spazi ristretti come una libreria o ambienti simili.
- Questo apparecchio dovrebbe essere collocato sufficientemente vicino alla presa AC in modo da poter facilmente afferrare la spina del cordone di alimentazione in qualsiasi momento.

DICHIARAZIONE DI CONFORMITÀ

Con la presente, TEAC Corporation dichiara che il prodotto è conforme alla direttive europee richieste e altri regolamenti della commissione.



CAUTELA

Cambiamenti o modifiche non espressamente approvati dalla parte responsabile della conformità potrebbero invalidare il diritto dell'utente a utilizzare l'apparecchiatura.

Per gli utenti europei

Smaltimento delle apparecchiature elettriche ed elettroniche e di batterie e/o accumulatori

- a) Tutte le apparecchiature elettriche ed elettroniche devono essere smaltite separatamente dai rifiuti urbani mediante impianti di raccolta designati dal governo o dalle autorità locali.
- b) Il corretto smaltimento di apparecchiature elettroniche/ elettriche e di batterie/accumulatori, contribuisce a risparmiare preziose risorse ed evitare potenziali effetti negativi sulla salute umana e sull'ambiente.
- c) Lo smaltimento non corretto di apparecchiature elettroniche/elettriche e di batterie/accumulatori può avere gravi conseguenze per l'ambiente e la salute umana a causa della presenza di sostanze pericolose nelle apparecchiature.
- d) Il simbolo RAEE (Rifiuti Apparecchiature Elettriche ed Elettroniche), che mostra un bidone con ruote barrato, indica che le apparecchiature elettriche/ elettroniche e le batterie/accumulatori devono essere raccolti e smaltiti separatamente dai rifiuti domestici.
Se una batteria o accumulatore contiene più dei valori specificati di piombo (Pb), mercurio (Hg) e/o cadmio (Cd) come definito nella direttiva sulle batterie (2006/66/CE), i simboli chimici per quegli elementi sarà indicato sotto al simbolo RAEE.



- e) I centri di raccolta sono a disposizione degli utenti finali. Per informazioni più dettagliate circa lo smaltimento delle vecchie apparecchiature elettroniche/elettriche e dei rifiuti di batterie/accumulatori, si prega di contattare il comune, il servizio di smaltimento rifiuti o il negozio dove è stato acquistato l'apparecchio.

Indice

Grazie per aver scelto TEAC.

Leggere attentamente questo manuale per ottenere le migliori prestazioni da questo apparecchio.

Dopo la lettura, si consiglia di conservarlo in un luogo sicuro per future consultazioni.

IMPORTANTI ISTRUZIONI PER LA SICUREZZA	43
Prima dell'uso	44
Maneggiare i dischi	45
Note sugli stili	45
Preparazione del giradischi	46
Coperchio del giradischi	48
Sostituzione della cartuccia	48
Nomi e funzioni delle parti	48
Collegamenti	49
Operazioni di base	49
Registrazione con un computer	50
Risoluzione dei problemi	51
Specifiche	52

Apple, Mac, Mac OS and OS X are trademarks of Apple Inc., registered in the U.S. and other countries.

Microsoft and Windows are either registered trademarks or trademarks of Microsoft Corporation in the United States and/or other countries.

Altri nomi di società, nomi di prodotto e loghi in questo documento sono marchi o marchi registrati dei rispettivi proprietari.

Prima dell'uso

Accessori inclusi

Controllare che la scatola comprenda tutti gli accessori in dotazione indicati di seguito. Si prega di contattare il negozio dove è stata acquistata l'unità se uno qualsiasi di questi accessori è mancante o è stato danneggiato durante il trasporto.

Tappetino giradischi × 1

Adattatore 45 giri × 1

Contrappeso × 1

Conchiglia × 1

Cartuccia stereo Audio-Technica VM Type (doppio magnete) preinstallata (equivalente a AT100E)

Piatto × 1

Copripuleggia × 1

Rondelle × 4

Chiave esagonale × 1

Cavo audio RCA con morsetto di massa × 1

Alimentatore AC (GPE053A-V120050-Z) × 1

Manuale di istruzioni (questo documento, inclusa la garanzia) × 1

- Conservare questo manuale in un luogo sicuro per future consultazioni.
- La garanzia per gli Stati Uniti e il Canada è sul retro della copertina. Vedere a pagina 73 per le disposizioni di garanzia.
Vedere pagina 74 per informazioni sulla garanzia in Europa e in altri paesi o aree.

Precauzioni per l'uso

- Non collocare alcun oggetto sul coperchio giradischi. Gli oggetti sul coperchio potrebbero causare disturbi a causa di vibrazioni o cadere, soprattutto durante la riproduzione.
- Evitare di collocare l'unità alla luce solare diretta, vicino a una fonte di calore o in altre condizioni simili. Non collocare l'unità sopra un amplificatore o altri dispositivi che possono generare calore superiore alla temperatura di funzionamento di questa unità. Ciò potrebbe causare scolorimento, deformazione o malfunzionamento.

Maneggiare i dischi

Uso del sito TEAC Global

È possibile scaricare gli aggiornamenti per questa unità dal sito TEAC Global Site: <http://teac-global.com/>

- 1) Aprire il sito TEAC Global.
- 2) Nella sezione TEAC Downloads, selezionare la lingua desiderata per aprire la pagina di download per la propria lingua.

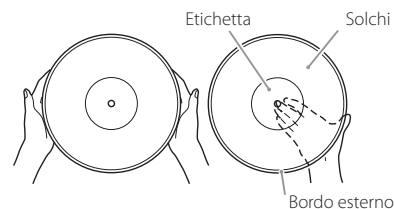
NOTA

Se la lingua desiderata non viene visualizzata, cliccare su Other Languages.

- 3) Fare clic sul nome del prodotto nella sezione "Products".
- 4) Selezionare e scaricare gli eventuali aggiornamenti necessari.

Come tenere i dischi

Quando si tiene un disco o lo si rimuove dalla custodia, evitare di toccare i solchi tenendolo per l'etichetta e il bordo con una mano o tenendolo per i bordi con entrambe le mani.



Pulizia

- Le impronte digitali e la polvere su un disco possono causare rumore e salti, così come danneggiare il disco stesso e lo stilo. Usare un pulisci-dischi reperibile in commercio per pulire i dischi. Non usare solventi o qualcosa di diverso da un pulisci-dischi. Tali sostanze potrebbero danneggiare la superficie del disco.
- Quando si utilizza un pulisci-dischi, pulire la superficie del disco con un movimento circolare, seguendo i solchi.



Precauzioni

- Non lasciare i dischi in luoghi esposti alla luce solare diretta o molto caldi o molto umidi. Lasciare a lungo un disco in tale condizioni può provocare deformazioni o altri danni.
- Non impilare più dischi o collocare oggetti pesanti su di loro. Non lasciare i dischi in posizione angolata per lunghi periodi di tempo. Ciò potrebbe causare deformazioni o altri danni.
- Non lasciare che oggetti duri vengano in contatto direttamente con i solchi. Ciò potrebbe graffiarli.
- Dopo aver terminato la riproduzione di un disco, rimetterlo sempre nella sua custodia per una corretta conservazione. Lasciare un disco non protetto potrebbe causare deformazioni o graffi.
- Non utilizzare dischi incrinati.

Note sugli stili

- Gli stili per dischi sono componenti di precisione, pertanto bisogna maneggiarli con cura onde evitare di piegarli o danneggiare la loro punta. Se uno stilo si piega o viene danneggiato, potrebbe non essere in grado di seguire il solco in modo preciso e potrebbe danneggiare i dischi o causare altri malfunzionamenti.
- Se uno stilo raccoglie lo sporco del disco, usare un detergente per stili disponibile in commercio o un prodotto simile per pulirlo.
- Non strofinare la punta dello stilo con forza usando oggetti duri. Non pulire lo stilo con sostanze chimiche solventi o altri. In questo modo si potrebbe danneggiarlo.

Sostituzione dello stilo

Si prega di utilizzare una puntina di sostituzione Audio-Technica ATN100E.

- La cartuccia installata in questa unità è equivalente alla cartuccia Audio-Technica AT100E VM Type (la puntina di sostituzione per la cartuccia installata è di colore verde. Non ha un marchio Audio-Technica).
Nota: le cartucce di tipo VM hanno le stesse caratteristiche delle cartucce di tipo MM.
- Seguire le istruzioni di sostituzione nel manuale dello stilo di ricambio.

CAUTELA

- Poiché potrebbero verificarsi forti rumori, mettere l'unità in standby prima di cambiare lo stilo.
- Fare attenzione a non ferire le dita o danneggiare l'apparecchiatura.
- Non permettere a bambini piccoli di ingerire accidentalmente uno stilo.

Preparazione del giradischi

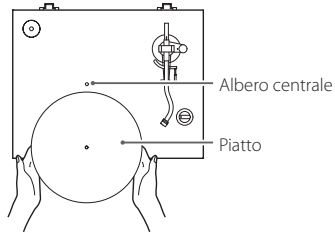
Tenere l'unità in standby durante l'installazione (E a pagina 49).

1 Mettere l'unità su una superficie piana.

2 Installare il piatto giradischi.

Allineare il piatto giradischi con l'albero centrale e installarlo.

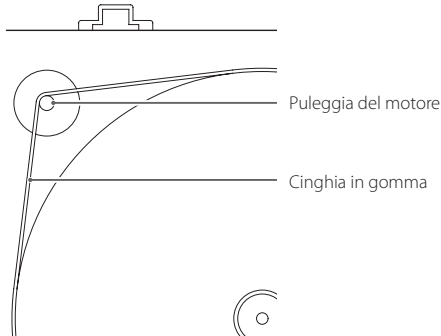
- Posizionare il lato maggiore del foro verso il basso.



3 Avvolgere la cinghia attorno alla puleggia del motore.

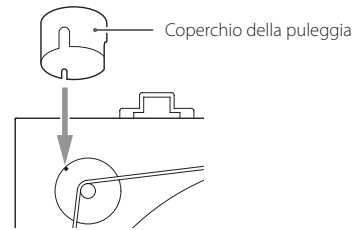
Avvolgere la cinghia in gomma inclusa intorno alla parte esterna del piatto e quindi avvolgere la cinghia attorno alla puleggia del motore.

- Fare attenzione a non torcere la gomma.
- Ruotare il piatto diverse volte per assicurarsi che sia sicuro.



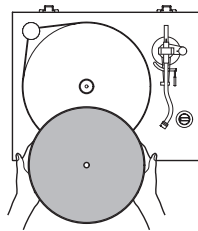
4 Installare il coperchio della puleggia.

Allineare il ritaglio nel coperchio della puleggia con la piccola protuberanza sulla puleggia, come mostrato nella figura. Se questi non sono allineati, il coperchio della puleggia si piegherà.



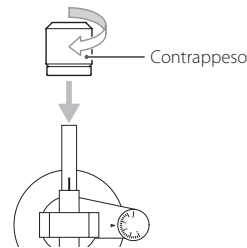
5 Posizionare il tappetino di gomma sul giradischi.

Posizionare il tappetino protettivo di gomma che è incluso con il giradischi prima dell'uso.



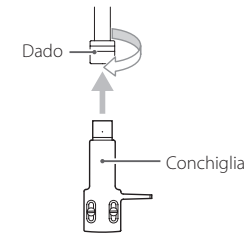
6 Installare il contrappeso.

Posizionare il contrappeso all'estremità del braccetto e ruotarlo in senso orario per stringerlo.



7 Installare la conchiglia.

Inserire la conchiglia alla fine del braccetto e ruotare il dado per fissarla al suo posto.



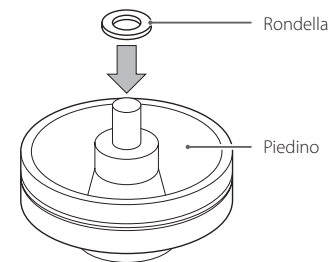
Verifica del livellamento e messa a punto

Al fine di verificare il posizionamento livellato del giradischi, si consiglia di utilizzare, per esempio, un dispositivo di livellamento per giradischi disponibile in commercio. Se il giradischi non è in piano, seguire le procedure qui di seguito per regolare le altezze dei piedi per livellare l'unità.

- Se l'inclinazione è eccessiva, la procedura seguente potrebbe non essere sufficiente per correggerla.

1 Ruotare il piedino sul lato basso in senso antiorario per rimuoverlo.

2 Applicare una delle rondelle incluse.

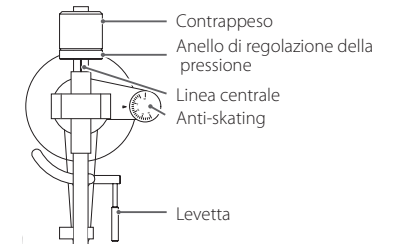


3 Riattaccare il piedino nella sua posizione originale.

4 Premere sui quattro angoli dell'unità per verificare che il peso sia distribuito uniformemente sui quattro piedini.

Se uno dei piedi è traballante, applicare una rondella come spiegato sopra per regolarne l'altezza.

Bilanciare il braccetto e regolare la pressione dello stilo

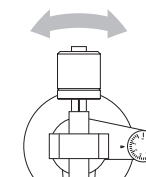


1 Impostare la ghiera anti-skating a zero.

2 Sollevare la levetta e spostare leggermente il braccetto verso sinistra.

3 Abbassare la levetta.

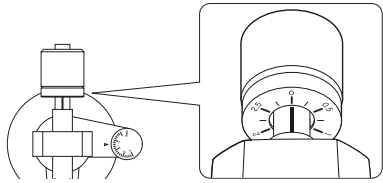
4 Ruotare il contrappeso e regolarlo in modo che il braccetto rimanga dritto.



- Abbassare la protezione per evitare danni alla cartuccia stilo prima di eseguire regolazioni.
- Fare attenzione a non lasciare che lo stilo tocchi l'unità.

5 Riportare il braccetto nella sua posizione originale sul reggi-braccetto.

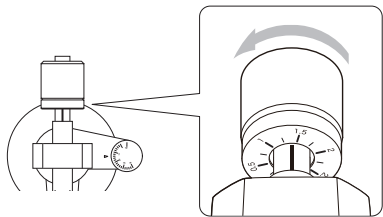
6 Ruotare l'anello di regolazione della pressione dello stilo in modo che la linea centrale sia allineata con lo 0 della scala.



- Ruotare solo l'anello. Fare attenzione a non ruotare anche il contrappeso.

7 Ruotare il contrappeso in modo che la pressione dello stilo indicata sulla scala di regolazione corrisponda al peso specificato per il tipo di cartuccia.

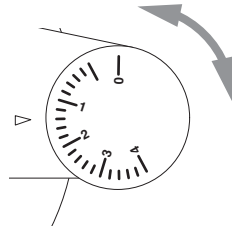
- Il peso da impostare per lo stilo della cartuccia in dotazione è di 1,4 g. Quindi, ruotare su 1.4 della scala del contrappeso quando si utilizza la cartuccia in dotazione.



- Ruotarla a destra da 0 in direzione di 0,5 e 1,0.

8 Regolare il selettore di anti-skating.

Iniziare con un'impostazione a 1.4 e regolare l'anti-skating durante la riproduzione del disco (pagina 49) nella posizione in cui il bilanciamento sinistro/destro del volume è centrale.



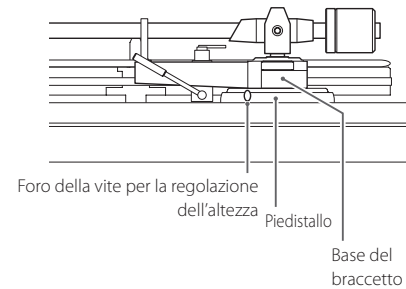
Regolazione dell'altezza del braccetto

Seguire le procedure di seguito per regolare l'altezza del braccetto, se non è in piano durante la riproduzione del disco dopo aver cambiato la cartuccia o la conchiglia.

1 Mettere un disco sul piatto, e mettere la puntina sul bordo del disco.

- Non mettere in rotazione il giradischi.

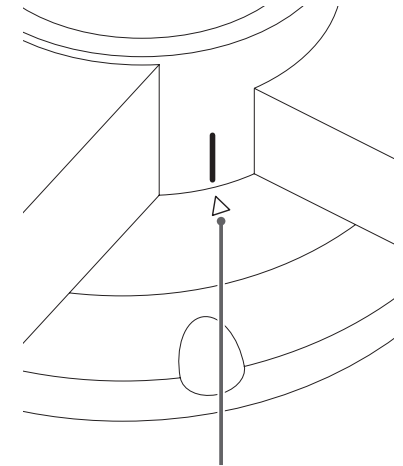
2 Inserire la chiave a brugola in dotazione nel foro della vite di regolazione dell'altezza e ruotare in senso antiorario per sbloccare la base del braccetto.



3 Tenere la base braccetto e regolare l'altezza per portare il braccetto in piano.

- Fare attenzione a non lasciare che il braccetto si sposti a destra o a sinistra quando si regola l'altezza.

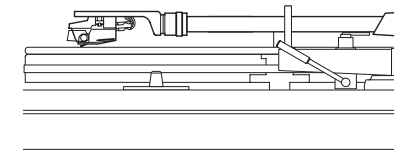
4 Girare la chiave a brugola in senso orario per bloccare la base del braccetto.



Posizione di allineamento

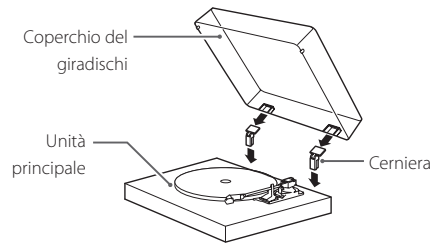
Quella base del braccetto può muoversi a destra e a sinistra rispetto al piedistallo. Allineare la guida (bianca) sulla base del braccetto al segno ▲ sul piedistallo prima di bloccarlo.

5 Riprodurre il disco e verificare che il braccetto sia livellato al piano.



Coperchio del giradischi

Montaggio del coperchio del giradischi



1 Inserire completamente le cerniere nei supporti alle estremità destra e sinistra della parte posteriore dell'unità principale.

2 Allineare la parte superiore delle cerniere con supporti del coperchio giradischi e inserirle.

Rimozione del coperchio dal giradischi

Tenere entrambi i bordi del coperchio del giradischi e sollevarlo lentamente per rimuoverlo insieme alle cerniere dall'unità. Quindi, rimuovere le cerniere dal coperchio del giradischi.

Apertura e chiusura del coperchio giradischi

Apertura

Tenere il bordo anteriore del coperchio del giradischi e sollevarlo delicatamente fino al suo completo arresto. Il coperchio del giradischi rimarrà aperto in questa posizione.

Chiusura

Abbassare delicatamente il coperchio giradischi fino alla sua completa chiusura.

⚠ Fare attenzione alle dita durante l'apertura e la chiusura del coperchio del giradischi.

Sostituzione della cartuccia

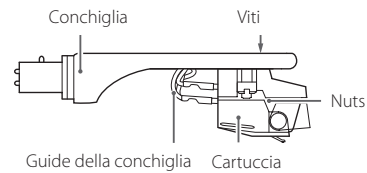
Per cambiare la cartuccia, rimuovere prima la conchiglia dal braccetto.

- La cartuccia installata in questa unità è equivalente alla cartuccia Audio-Technica AT100E VM Type (la puntina di sostituzione per la cartuccia installata è di colore verde. Non ha un marchio Audio-Technica).

NOTA

Le cartucce di tipo VM hanno le stesse caratteristiche delle cartucce di tipo MM.

- Si consiglia di abbassare la protezione dello stilo prima di eseguire questa operazione.

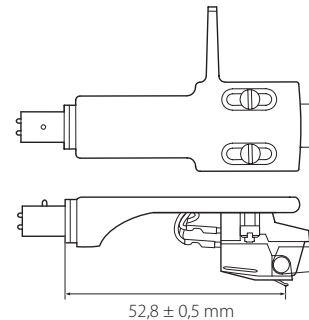


1 Scollegare i terminali della conchiglia dalla cartuccia.

2 Allentare le viti e rimuovere la cartuccia.

3 Fissare la nuova cartuccia e serrare le viti.

Vedere la figura seguente per la posizione delle viti quando sono fissate.



4 Collegare i terminali della conchiglia alla cartuccia.

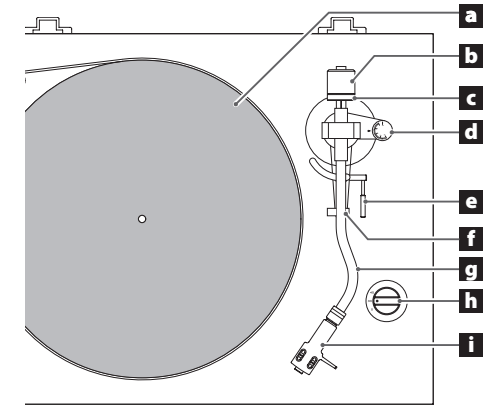
- I segnali e i colori dei fili della conchiglia sono riportati di seguito.

Segnale	Colore
Canale sinistro +	Bianco
Canale sinistro -	Blu
Canale destro +	Rosso
Canale destro -	Verde

5 Bilanciare il braccetto e regolare la pressione dello stilo.

Seguire le procedure descritte in "Bilanciare il braccetto e regolare la pressione dello stilo" a pagina 46.

Nomi e funzioni delle parti



a Piatto del giradischi

Posizionare il disco centrato sul piatto.

b Contrappeso

c Anello per regolare il peso sullo stilo

d Ghiera anti-skating

e Levetta

L'uso di questa levetta per sollevare il braccetto è più sicuro dell'uso di un dito quando si abbassa la puntina sulla superficie del disco, così come quando la si solleva.

f Fermo per il braccetto

Questo è il supporto per il braccetto nella posizione di riposo.

g Braccetto

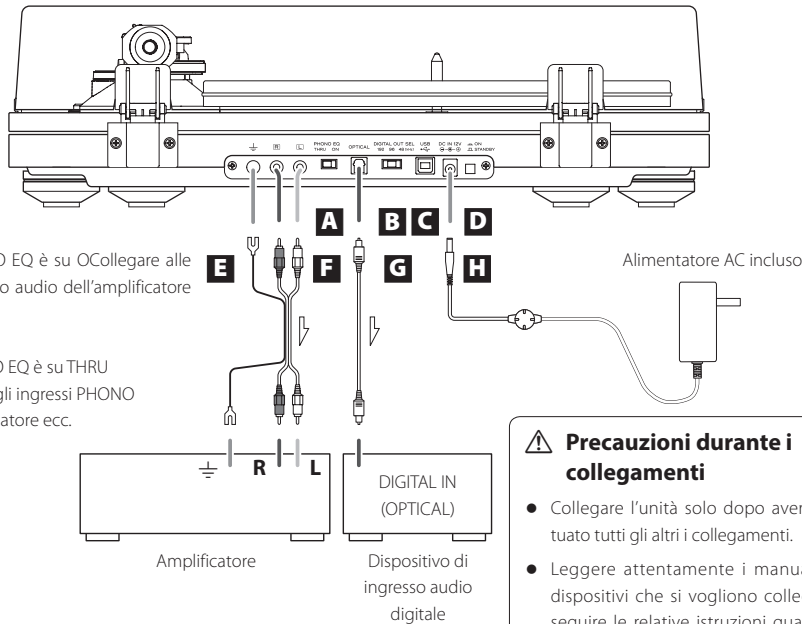
h Manopola di regolazione della velocità di rotazione

Impostare la velocità di rotazione (giri) adatta per il disco. La rotazione si fermerà quando questa è impostata a 0.

i Conchiglia

Questa è di tipo universale e permette di sostituire la cartuccia facilmente.

Collegamenti



Quando PHONO EQ è su ON Collegare alle prese di ingresso audio dell'amplificatore ecc.

Quando PHONO EQ è su THRU Collegare agli ingressi PHONO dell'amplificatore ecc.

⚠ Precauzioni durante i collegamenti

- Collegare l'unità solo dopo aver effettuato tutti gli altri i collegamenti.
- Leggere attentamente i manuali dei dispositivi che si vogliono collegare e seguire le relative istruzioni quando si effettuano i collegamenti.

A PHONO EQ (interruttore di impostazione di uscita audio)

ON

I segnali amplificati dall'equalizzatore phono incorporato, che supporta testine MM, vengono emessi dai connettori di uscita audio analogici (L/R).

THRU

Il segnale di una cartuccia MC o MM viene emesso direttamente attraverso le prese di uscita audio analogica (L/R). Utilizzare questa impostazione quando si collega un'apparecchiatura dotata di ingressi PHONO.

- Al momento della spedizione dalla fabbrica, questo è impostato su ON.
- Attivare questa funzione se un dispositivo è collegato al connettore di uscita audio digitale ottica OPTICAL o la porta USB.

CAUTELE

Quando è impostato su ON, se viene collegato agli ingressi PHONO di un amplificatore, per esempio, l'uscita dagli altoparlanti o cuffie sarà molto forte, per cui si potrebbero danneggiare le apparecchiature o l'udito.

B Interruttore di selezione uscita digitale (DIGITAL OUT SEL)

Utilizzare per selezionare la frequenza di campionamento dell'uscita digitale ottica.

- La frequenza di campionamento massima supportata è 192 kHz.

C Porta USB (USB tipo B)

Collegare questa porta alla porta USB di un computer per convertire il segnale audio di uscita digitale da questa unità al computer (pagina 50).

D Pulsante STANDBY/ON

Premere il pulsante STANDBY/ON per accendere l'unità o metterla in standby.

E Connettore a massa (⏏)

Utilizzare il filo di massa del cavo audio RCA in dotazione per collegare questo connettore al connettore di massa dell'amplificatore.

- Questo NON è un connettore di messa a terra elettrica.

F Connettori di uscita audio analogica (L/R)

Questi mandano segnali audio analogici in uscita. L'impostazione del commutatore PHONO EQ cambia il tipo di segnale in uscita. Utilizzare il cavo audio RCA in dotazione per collegare altre apparecchiature ai connettori di uscita di questa unità.

G Connettore di uscita audio digitale OPTICAL

Questo emette audio digitale. Collegare questo al connettore di ingresso audio ottico di un dispositivo in grado di ricevere audio digitale. **Utilizzare un cavo digitale ottico TOSLINK disponibile in commercio per effettuare la connessione.**

H Connettore di ingresso DC

Dopo aver completato tutti gli altri collegamenti, collegare l'alimentatore AC incluso a questa presa. Verificare che la spina di alimentazione dell'alimentatore AC sia inserita in una presa di corrente.

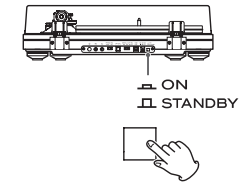
- Scollegare il cavo di alimentazione dalla presa di corrente quando non si prevede di utilizzare l'unità per un lungo periodo di tempo.
- Non utilizzare un alimentatore AC diverso da quello in dotazione.

⚠ **Assicurarsi di collegare il cavo di alimentazione a una presa AC che fornisca la giusta tensione. Il collegamento a una presa che fornisce una tensione non corretta può provocare incendi o scosse elettriche. Tenere la spina quando la si collega o scollega da una presa. Tenere la spina quando la si collega/scollega a una presa. Non tirare o stratonare il cavo di alimentazione. Scollegare il cavo di alimentazione dalla presa di corrente quando non si prevede di utilizzare l'unità per un lungo periodo di tempo.**

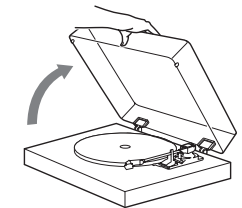
Operazioni di base

Riproduzione di dischi

1 Premere il pulsante STANDBY/ON sul retro dell'unità per accenderla.

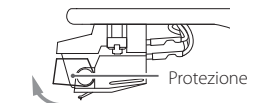


2 Aprire lentamente il coperchio del giradischi.



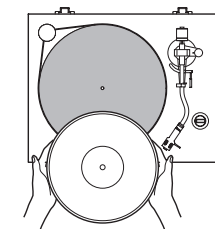
⚠ Fare attenzione alle dita durante l'apertura e la chiusura del coperchio del giradischi.

3 Sollevare la protezione della cartuccia.



4 Posizionare un disco sul piatto.

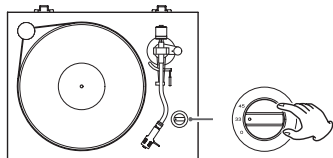
Durante la riproduzione di un 45 giri con il foro grande, utilizzare l'adattatore incluso.



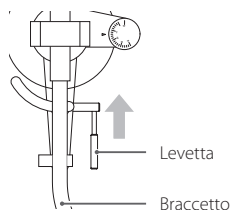
Continua a pagina seguente →

5 Impostare il numero di giri in base al disco e avviare il giradischi.

La velocità di rotazione può essere impostata a 33 1/3 o 45 giri.

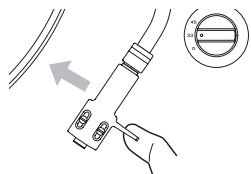


6 Sollevare la levetta.



- È possibile lasciare la levetta abbassata e spostare manualmente il braccetto sopra il disco e poi abbassare lentamente il braccetto per avviare la riproduzione.

7 Spostare il braccetto verso il bordo del disco o sul brano desiderato per avviare la riproduzione.



8 Abbassare la levetta.

Abbassare il braccetto lentamente fino a quando lo stilo tocca il disco e inizia la riproduzione.

- Si consiglia di chiudere il coperchio giradischi durante la riproduzione per evitare che la polvere si depositi sul disco.

⚠ Non collocare nulla sul coperchio giradischi.

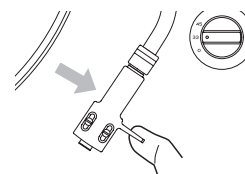
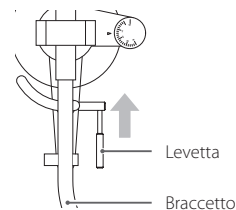
CAUTELA

- Durante la riproduzione, non toccare il braccetto o il disco in rotazione.
- Non interrompere la rotazione del piatto durante la riproduzione.

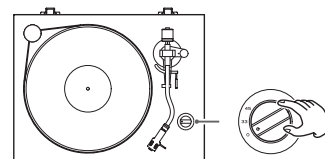
Durante la riproduzione di dischi, potrebbe verificarsi un feedback se il volume è troppo alto. Se questo accade, abbassare il volume dell'amplificatore.

Quando la riproduzione termina

1 Sollevare leggermente la levetta o il gancio posto sulla conchiglia e riportare il braccetto in posizione di riposo.



2 Ruotare la manopola di regolazione della velocità di rotazione a 0 per fermare il giradischi.



Collegare questo giradischi a un computer tramite un cavo USB disponibile in commercio per convertire i segnali audio da un disco in dati digitali e inviarli al computer.

Sistemi operativi supportati

I computer che eseguono i seguenti sistemi operativi possono essere collegati tramite USB a questa unità (da novembre 2015).

Windows OS

- Windows 7 (32 bit, 64 bit)
- Windows 8 (32 bit, 64 bit)
- Windows 8.1 (32 bit, 64 bit)
- Windows 10 (32 bit, 64 bit)

Mac OS X

- OS X Lion 10.7
- OS X Mountain Lion 10.8
- OS X Mavericks 10.9
- OS X Yosemite 10.10
- OS X El Capitan 10.11

Il funzionamento con sistemi operativi diversi da questi non è garantito.

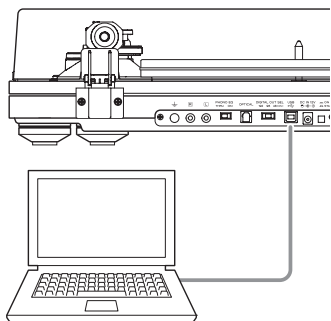
- Questa unità funzionerà con il driver standard del sistema operativo, quindi non è necessario installare un particolare driver.

Collegamento a un computer

1 Accendere il computer.

Verificare che il sistema operativo venga avviato correttamente.

2 Usare il cavo USB per collegare il computer e questa unità.



- Utilizzare un cavo USB disponibile in commercio dotato di nucleo in ferrite quando si collega l'unità a un computer.

3 Premere il pulsante STANDBY/ON di questa unità per accenderla.

Dopo il collegamento, il computer rileverà automaticamente la porta USB di questa unità e la identificherà come "USB Audio CODEC".

Per registrare l'audio da questo giradischi utilizzando un computer, è necessario installare un software da usare per la registrazione audio nel computer.

È possibile acquistare separatamente il software di registrazione audio preferito o scaricare da Internet il software gratuito come, per esempio, Audacity (<http://audacity.sourceforge.net/>).

Il software gratuito Audacity non è supportato da TEAC.

- Quando si collega a un computer tramite USB e si effettua una registrazione audio, non eseguire una delle seguenti operazioni. Ciò potrebbe causare malfunzionamenti del computer. Chiudere sempre il software di registrazione nel computer prima di procedere.
 - Scollegare il cavo USB
 - Mettere l'unità in standby

Impostazioni del computer

L'esempio seguente spiega le impostazioni per l'utilizzo con Windows 7.

1 Dal menu Start, selezionare il Pannello di controllo.

2 Fare clic su "Audio".

3 Fare clic su "Registrazione" e verificare che "USB Audio CODEC" sia impostato come "Dispositivo predefinito".

4 Selezionare "Microfono USB Audio CODEC" e fare clic sul pulsante Proprietà.

5 Fare clic su "Avanzate".

6 Dal menu a discesa "Formato predefinito" selezionare la qualità di registrazione desiderata (formato).

SUGGERIMENTO

"2 canali, 16 bit, 48000 Hz (qualità DVD)" offre un'alta qualità audio ma richiede anche più spazio per i file. La registrazione con una frequenza di campionamento più bassa riduce la qualità dell'audio ma utilizza anche meno spazio per i file.

7 Fare clic su "OK".

Risoluzione dei problemi

Se si sperimentano problemi con questa unità, si prega di controllare i seguenti punti prima di richiedere assistenza. Qualcosa di diverso potrebbe essere la causa del problema. Si prega di verificare che anche i dispositivi collegati vengano utilizzati correttamente.

Se l'unità persiste a non funzionare correttamente, contattare il rivenditore presso il quale è stata acquistata.

Assenza di alimentazione.

- ➔ Verificare che l'alimentatore sia collegato a una presa di corrente. Quindi, premere il pulsante STANDBY/ON per accendere l'unità (pagina 49).

Il volume è basso.

- ➔ Quando si collegano le prese di uscita audio analogiche di questa unità alle prese di ingresso audio di un amplificatore o di un altro apparecchio, impostare l'interruttore PHONO EQ (impostazione di uscita audio) su ON (pagina 49).

- ➔ Se non si utilizza l'equalizzatore PHONO di questa unità, impostare l'interruttore PHONO EQ (impostazione di uscita audio) su THRU e collegare i connettori di uscita audio analogica (L/R) ai connettori di ingresso PHONO di un amplificatore o di un altro apparecchio.

Quando si utilizza la cartuccia in dotazione (equivalente a MM), collegarli ai connettori di ingresso PHONO compatibili con l'ingresso di tipo MM.

Quando si utilizza una cartuccia MC, impostare l'interruttore PHONO EQ (impostazione di uscita audio) su THRU e collegarli ai connettori di ingresso PHONO compatibili con il tipo di ingresso MC dell'amplificatore o di altre apparecchiature. I connettori di ingresso PHONO di alcune apparecchiature potrebbero essere adattabili all'uso sia con l'ingresso di tipo MM che MC. Per i dettagli, consultare il manuale di funzionamento di tali apparecchiature.

La riproduzione non è possibile; c'è del rumore.

- ➔ Sollevare la protezione (pagina 49).
- ➔ Pulire lo stilo (pagina 45).
- ➔ Se lo stilo è logoro, sostituirlo (pagina 45). La durata di una puntina dipende dalle condizioni di utilizzo, ma di solito è di circa 300 ore.
- ➔ Posizionare l'unità il più lontano possibile da televisori, forni a microonde e altri dispositivi che emettono onde elettromagnetiche.

Si verifica del rumore quando un disco è in riproduzione.

- ➔ Potrebbe verificarsi del rumore se la pressione dello stilo è superiore al valore specificato della cartuccia. Regolare la pressione dello stilo in modo che sia del valore specificato (pagina 46).

L'intonazione è errata.

- ➔ Impostare la velocità di rotazione (giri) in modo che corrisponda a quella del disco (pagina 49).

Il suono salta.

- ➔ Le vibrazioni causano salti. Collocare l'unità in un luogo stabile.
- ➔ Se il disco è sporco, pulirlo.
- ➔ Non utilizzare dischi graffiati.
- ➔ Bilanciare il braccetto e regolare la pressione dello stilo (pagina 46). Se la pressione dello stilo è inferiore al valore designato per la cartuccia, è più probabile che si verifichino salti.

Giradischi

Sistema di trazione
 Trasmissione a cinghia con controllo di rilevazione della rotazione ad alta precisione

Motore..... Motor DC

Velocità di rotazione..... 33 1/3 giri, 45 giri

Precisione del rilevamento della rotazione... ± 0,05% (33 1/3 giri)

Wow & flutter..... 0,1%

Rapporto SN..... 67 dB o superiore (pesato A, 20 kHz LPF)

Piatto..... Acrilico, diametro 30 cm

Piedistallo..... Marmo artificiale e legno

Braccetto

Tipo di braccetto
 Braccetto a forma di S bilanciato staticamente

Lunghezza effettiva del braccetto..... 223 mm

Campo di variazione di pressione dello stilo..... 0–5 g

Peso della cartuccia accettato..... 15–23 g
 (compresa la conchiglia)

Sporgenza..... 18 mm

Errore di tracciamento..... 3° o meno

Campo di regolazione altezza del braccetto..... circa 6 mm

Cartuccia

Tipo..... VM (equivalente MM)

Tensione di uscita..... 4,5 mV (1 kHz, 5 cm/s)

Pressione dello stilo..... 1,4 ± 0,4 g

Peso della cartuccia..... 6,5 ± 0,2 g

Peso della conchiglia inclusa..... 10 g (viti, dadi e fili compresi)

- La durata di una puntina dipende dalle condizioni di utilizzo, ma è solitamente di circa 300 ore.
 - La cartuccia installata in questa unità è equivalente alla cartuccia Audio-Technica AT100E VM Type (la puntina di sostituzione per la cartuccia installata è di colore verde. Non ha un marchio Audio-Technica).
- Nota: le cartucce di tipo VM hanno le stesse caratteristiche delle cartucce di tipo MM.

Tensione di uscita

PHONO EQ THRU..... 4,5 mV ± 3 dB

PHONO EQ ON..... 230 mV (–13 dBV)

Connettori di uscita..... RCA

Porta USB

USB 2.0 (Full Speed) conforme allo standard

Connettore USB tipo B

Supporto di alimentazione bus USB..... 5 V, 500 mA

- Utilizzare un cavo USB disponibile in commercio per collegare l'unità a un computer per ricevere l'alimentazione.

Frequenza di campionamento
 8 kHz, 11.025 kHz, 16 kHz, 22.05 kHz, 32 kHz, 44.1 kHz, 48 kHz

Profondità di bit di quantizzazione..... 16 bit

Uscita audio digitale ottica (OPTICAL)

Uscita..... da –21,0 a –15,0 dBm

Frequenza di campionamento..... 48 kHz, 96 kHz, 192 kHz

Profondità di bit di quantizzazione..... 24 bit

Generali

Alimentazione AC

Ingresso..... AC 100–240 V, 50–60 Hz

Uscita..... 12 V, 500 mA

Consumo

Standby..... 0,2 W o meno

Acceso

0..... 2,3 W o meno

33..... 3 W o meno

45..... 3,25 W o meno

Peso..... 9 kg

Temperatura di esercizio..... da 5°C a 35°C

Dimensioni (L × A × P) (incluse le parti sporgenti)
 420 × 131,5 × 355 mm

- Dati relativi al funzionamento a 20°C.

Accessori in dotazione

Tappetino giradischi × 1

Adattatore 45 giri × 1

Contrappeso × 1

Conchiglia × 1

Cartuccia stereo Audio-Technica VM Type (doppio magnete) preinstallata (equivalente a AT100E)

Piatto × 1

Copripuleggia × 1

Rondelle × 4

Chiave esagonale × 1

Cavo audio RCA con morsetto di massa × 1

Alimentatore AC (GPE053A-V120050-Z) × 1

Manuale di istruzioni (questo documento, inclusa la garanzia) × 1

- Le specifiche e l'aspetto sono soggetti a modifiche senza preavviso.
- Peso e dimensioni sono approssimativi.
- Le illustrazioni in questo manuale potrebbero differire leggermente dai modelli di produzione.

BELANGRIJKE VEILIGHEIDSINSTRUCTIES



CAUTION
RISK OF ELECTRIC SHOCK
DO NOT OPEN



LET OP: LET OP: VERWIJDER HET DEKSEL (OF DE ACHTERKANT) NIET OM EEN ELEKTRISCHE SCHOK TE VOORKOMEN. BEVAT GEEN ONDERDELEN WAAR GEBRUIKERS AAN KUNNEN WERKEN. LAAT ONDERHOUD OVER AAN BEVOEGD ONDERHOUDSPERSONEEL.



Het bliksemsymbool in de driehoek waarschuwt de gebruiker voor gevaarlijke ongeïsoleerde spanning in de behuizing die mogelijk hoog genoeg is om een elektrische schok te veroorzaken.



De gelijkzijdige driehoek met uitroeptekens is bedoeld om de gebruiker te wijzen op belangrijke bedienings- of onderhoudsinstructies in de onderhoudshandleidingen voor dit apparaat.

WAARSCHUWING: STEL DEZE TOEPASSING NIET BLOOT AAN REGEN OF VOCHT OM HET GEVAAR OP VUUR OF ELEKTRISCHE SCHOKKEN TE VOORKOMEN.

LET OP

- Verwijder nooit de externe behuizing of kast om de elektronica bloot te leggen. Bevat geen onderdelen waar gebruikers aan kunnen werken.
- Als u problemen ondervindt met dit product, neem dan contact op met de leverancier waar u het apparaat heeft gekocht voor een serviceverwijzing. Gebruik het product niet voordat het is gerepareerd.
- Als de bedieningselementen, instellingen of prestaties van procedures anders worden gebruikt dan in deze handleiding beschreven, kan dit leiden tot gevaarlijke blootstelling aan straling.

- 1) Lees deze instructies.
- 2) Bewaar deze instructies.
- 3) Let op alle waarschuwingen.
- 4) Volg alle instructies op.
- 5) Gebruik dit apparaat niet in de buurt van water.
- 6) Alleen reinigen met een droge doek.
- 7) Blokkeer geen ventilatieopeningen. Installeren volgens de instructies van de fabrikant.
- 8) Niet installeren naast warmtebronnen, zoals radiatoren, verwarmingsroosters, kachels of andere apparatuur (waaronder versterkers) die warmte produceren.

9) Omzeil de veiligheidsvoorzieningen van een gepolariseerde of geaarde stekker niet. In sommige landen worden gepolariseerde stekkers gebruikt. Een gepolariseerde stekker heeft twee verschillend gevormde polen, waardoor de stekker niet verkeerd kan worden ingestoken. Een geaarde stekker heeft naast de twee polen een randcontact of extra pin voor aarde. De twee verschillende polen of het aardcontact zijn voor uw veiligheid. Als de meegeleverde stekker niet in het stopcontact past, raadpleeg dan een elektricien om het stopcontact te vervangen.

10) Zorg dat er niet op het netsnoer kan worden getrapt, dat het kan worden bekneld of onder spanning kan komen te staan, vooral bij stekkers, contactdozen en het punt waar het snoer het apparaat verlaat.

11) Gebruik alleen verloopstukken of accessoires die door de fabrikant worden gespecificeerd.

12) Alleen gebruiken met de door de fabrikant gespecificeerde of bij het apparaat verkochte wagen, standaard, statief, beugel of tafel. Verplaats de wagen met het apparaat erop met beleid, om letsel door omvallen te voorkomen.



13) Maak de kabels van het apparaat los tijdens onweer of bij buitengebruikstelling voor langere tijd.

14) Laat al het onderhoud en reparaties over aan gekwalificeerd onderhoudspersoneel. Reparatie is vereist als het apparaat schade heeft opgelopen, bijvoorbeeld als het netsnoer of de stekker is beschadigd, als er vloeistof op is gemorst of als er voorwerpen op het apparaat zijn gevallen, als het apparaat is blootgesteld aan regen of vocht, niet normaal functioneert of is gevallen.

- Ook uitgeschakeld neemt het apparaat een geringe stroom op wanneer de POWER of STANDBY/ON schakelaar niet op ON staat.
- De stekker fungeert als hoofdschakelaar en dient altijd bereikbaar te zijn.
- Wees altijd voorzichtig met het afspeelniveau bij oortelefoons of hoofdtelefoons in combinatie met dit product. Excessieve geluidsdruk (volume) van oortelefoons of hoofdtelefoon kan leiden tot gehoorverlies.

LET OP

- Stel dit apparaat niet bloot aan regen of spatten.
- Plaats geen met vloeistof gevulde voorwerpen zoals vazen op het apparaat.
- Plaats het apparaat niet in een afgesloten ruimte zoals een kast o.i.d.
- Plaats het apparaat dicht genoeg bij een stopcontact om snel de stekker uit te kunnen trekken in geval van nood.

CONFORMITEITSVERKLARING

Hierbij verklaart de TEAC Corporation dat dit product voldoet aan de Europese richtlijnen en andere regelgeving van de Commissie.





LET OP

Wijzigingen of modificaties die niet uitdrukkelijk zijn goedgekeurd door de voor naleving verantwoordelijke partij kunnen de toestemming om de apparatuur te gebruiken ongeldig maken.

Voor Europese Gebruikers

Verwerking van elektrische en elektronische apparatuur en batterijen en/of accu's

- a) Alle elektrische/elektronische apparatuur en lege batterijen/accu's dient te worden gescheiden van het normale huisvuil en te worden ingeleverd bij door de overheid daartoe aangewezen locaties.
- b) Door elektrische/elektronische apparatuur en lege batterijen en/of accu's op de juiste manier af te voeren, draagt u bij aan het juiste gebruik van grondstoffen en voorkomt u een negatief effect op ons milieu en de volksgezondheid.
- c) Onjuiste verwerking van gebruikte elektrische/elektronische apparatuur en batterijen/accu's kan het milieu en de volksgezondheid ernstig schaden door de aanwezigheid van gevaarlijke stoffen in de apparatuur.
- d) De symbolen voor afgedankte elektrische en elektronische apparatuur (AEEA) met doorgekruiste klikocontainers geven aan dat u elektrische/elektronische apparaten en batterijen/accu's dient te scheiden van huishoudelijk afval en apart dient in te leveren.
Wanneer een batterij of accu meer dan de gespecificeerde hoeveelheid lood (Pb), kwik (Hg) en/of cadmium (Cd) als aangegeven in de Richtlijn Batterijen (2006/66/EC) dan worden deze symbolen voor chemische elementen aangegeven onder het WEEE symbool.


- e) Inlever- en verzamelplaatsen zijn voor eindgebruikers beschikbaar gesteld. Nadere informatie over het afvoeren van gebruikte elektrische/elektronische apparatuur en lege batterijen/accu's kan uw gemeente u geven en ook de leverancier waar u de apparatuur heeft aangeschaft.

Inhoud

Dank u voor het gebruik van TEAC.

Lees deze handleiding aandachtig om dit apparaat zo goed mogelijk te kunnen gebruiken.

Berg deze na het lezen op een veilige plek op, zodat u deze later kunt raadplegen.

BELANGRIJKE VEILIGHEIDSINSTRUCTIES.....	53
Vóór gebruik.....	54
Omgaan met grammofoonplaten.....	55
Opmerking over draaitafelnaalden.....	55
De draaitafel voorbereiden.....	56
Draaitafelkap.....	58
Het element verwisselen.....	58
Namen en functies van onderdelen.....	58
Aansluitingen.....	59
Basisbediening.....	59
Opnemen met een computer.....	60
Problemen oplossen.....	61
Specificaties.....	62

Apple, Mac, Mac OS and OS X are trademarks of Apple Inc., registered in the U.S. and other countries.

Microsoft and Windows are either registered trademarks or trademarks of Microsoft Corporation in the United States and/or other countries.

Andere bedrijfsnamen, productnamen en logo's in dit document zijn handelsmerken of geregistreerde handelsmerken van hun respectieve eigenaars.

Vóór gebruik

Meegeleverde onderdelen

Controleer of de verpakking alle hieronder weergegeven accessoires bevat. Neem contact op met de winkel waar u dit apparaat heeft gekocht als een van deze accessoires ontbreekt of tijdens transport is beschadigd.

- Draaitafelmat × 1
- 45 RPM adapter × 1
- Contragewicht × 1
- Elementhouder × 1
 - Geleverd met Audio-Technica VM Type (dual magnet) stereo element (identiek aan AT100E)
- Draaitafel × 1
- Poeliekap × 1
- Ringen × 4
- Inbussleutel × 1
- RCA audiokabel met aardaansluiting × 1
- Netadapter (GPE053A-V120050-Z) × 1
- Gebbruikershandleiding (dit document inclusief garantie) × 1
 - Bewaar de handleiding op een veilige plaats om in de toekomst te kunnen raadplegen.
 - De garantie voor de Verenigde Staten en Canada wordt vermeld op de achterkant. Zie pagina 73 voor informatie over de garantie. Zie pagina 74 voor informatie over de garantie in Europa en andere landen of gebieden.

Voorzorgsmaatregelen vóór gebruik

- Plaats geen objecten op de draaitafelkap. Objecten op de kap kunnen storing veroorzaken als gevolg van trillingen of ze kunnen van de kap vallen, vooral tijdens afspelen.
- Plaats het apparaat niet in direct zonlicht of dicht bij een hittebron of in andere vergelijkbare situaties. Plaats het apparaat niet bovenop een versterker of andere apparatuur die meer warmte produceert dan het bedrijfstemperatuurbereik van dit apparaat. Hierdoor kan verkleuring, vervorming of kunnen defecten ontstaan.

Gebruik van de TEAC Global site

U kunt updates voor dit apparaat downloaden vanaf de TEAC Global site: <http://teac-global.com/>

- 1) Open de TEAC Global site.
- 2) In het gedeelte "TEAC Downloads" klikt u op de gewenste taal om de websitepagina "Downloads" voor de betreffende taal te openen.

OPMERKING

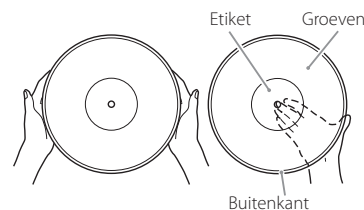
Als de gewenste taal niet verschijnt, klikt u op "Other Languages".

- 3) Klik op de productnaam in het "Product"-gedeelte.
- 4) Selecteer en download updates die nodig zijn.

Omgaan met grammofoonplaten

Grammofoonplaten vasthouden

Vermijd het aanraken van de groeven als een grammofoonplaat uit de hoes wordt gehaald en wordt vastgehouden. Houd de grammofoonplaat vast bij het etiket en aan de zijkant of met beide handen aan de zijkanten.



Reinigen

- Vingerafdrukken en vuil op een grammofoonplaat kunnen ruis en het haperen van het geluid veroorzaken, maar ook de plaat zelf en de naald beschadigen. Gebruik in de handel verkrijgbare platenreiniger om grammofoonplaten te reinigen. Gebruik geen oplosmiddel of andere vloeistoffen dan platenreiniger. Dergelijke chemicaliën kunnen het oppervlak van de plaat beschadigen.
- Veeg over het oppervlak van de grammofoonplaat met de platenreiniger in een ronde beweging in de richting van de groeven.



Voorzorgsmaatregelen

- Bewaar grammofoonplaten niet op plaatsen die blootstaan aan direct zonlicht of die uitzonderlijk heet of vochtig zijn. Als een grammofoonplaat aan dergelijke condities wordt blootgesteld kan deze vervormen of op een andere manier schade oplopen.
- Grammofoonplaten niet op elkaar stapelen of onder zware objecten plaatsen. Grammofoonplaten niet voor langere tijd schuin bewaren. Hierdoor kan vervorming of andere schade ontstaan.
- Zorg dat de groeven niet in direct contact komen met harde objecten. Hierdoor kunnen krassen ontstaan.
- Bewaar een grammofoonplaat na afspelen altijd in de hoes. Een onbeschermde grammofoonplaat kan vervormen of er kunnen krassen op komen.
- Gebruik geen platen met krassen.

Opmerking over draaitafelnaalden

- Grammofoonnaalden zijn precisieonderdelen die voorzichtig moeten worden behandeld, om verbuigen of beschadiging van de punt te voorkomen. Als een naald verbogen of beschadigd raakt, kan deze wellicht de geluidsgroeven niet meer nauwkeurig volgen en kunnen grammofoonplaten worden beschadigd of kunnen er andere defecten optreden.
- Gebruik als een naald vuil wordt naaldreiniger of een vergelijkbaar product om de naald te reinigen.
- Wrijf nooit met een hard voorwerp langs de naald. Veeg de naald niet af met verdunner of andere chemicaliën. Hierdoor kan de naald beschadigen.

De naald vervangen

Gebruik een Audio-Technica ATN100E vervangingsnaald.

- Het in dit apparaat geïnstalleerde element is een equivalent van het Audio-Technica AT100E VM Type element. (de vervangingsnaald voor het geïnstalleerde element is groen. Deze heeft geen Audio-Technica-merk.)
Opmerking: Elementen van het type VM hebben dezelfde eigenschappen als type MM elementen.
- Volg voor vervanging de instructies in de handleiding van de vervangende naald.

LET OP

- Schakel het apparaat op standby alvorens de naald te vervangen, omdat er zich hierbij luide geluiden kunnen voordoen.
- Zorg dat u uw hand niet bezeert of het apparaat beschadigt.
- Pas op dat kinderen niet per ongeluk naalden inslikken.

De draaitafel voorbereiden

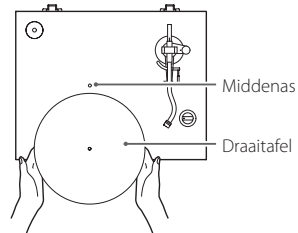
Zet het apparaat op standby tijdens de installatie (E op pagina 59).

1 Plaats het op een vlakke ondergrond.

2 Installeer de draaitafel.

Hou de draaitafel boven de middenas en installeer deze.

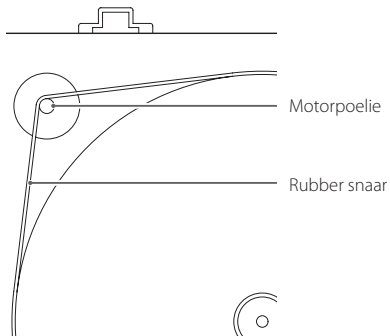
- Plaats het grote deel van het gat onderop.



3 Sla de snaar om de motorpoelie.

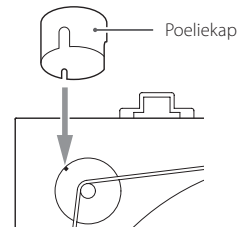
Span de rubber snaar om de buitenkant van de draaitafel en sla de snaar vervolgens om de motorpoelie.

- Zorg dat het rubber niet wordt gedraaid.
- Draai de draaitafel verschillende keren rond om te zorgen dat de snaar goed zit.



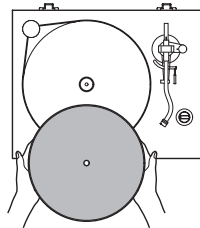
4 Installeer de poeliekap.

Lijn de smalle uitsparing in de poeliekap uit met het smalle uitsteeksel op de poelie, zoals weergegeven in de onderstaande afbeelding. Als deze niet zijn uitgelijnd staat de poeliekap scheef.



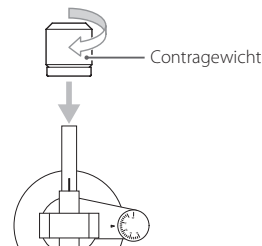
5 Plaats de draaitafelmat op de draaitafel.

Plaats vóór gebruik de meegeleverde mat op de draaitafel.



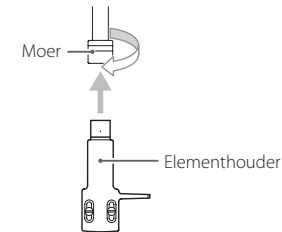
6 Installeer het contragewicht.

Draai het contragewicht met de klok mee op het uiteinde van de draaitafelarm en druk het voorzichtig aan om het draaiend vast te maken.



7 Installeer de elementhouder.

Installeer de elementhouder aan het uiteinde van de draaitafelarm en draai de moer aan om de elementhouder vast te maken.



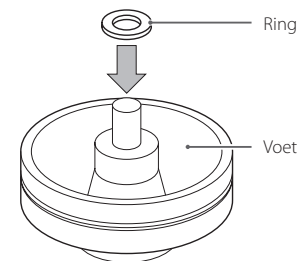
Controleren van waterpas en fijnafstelling

Om de horizontale stand van de draaitafel te controleren adviseren we om bijvoorbeeld een in de handel verkrijgbare draaitafelwaterpas te gebruiken. Volg als de draaitafel niet waterpas staat de onderstaande handelingen om de voethoogtes aan te passen om het apparaat wel waterpas te krijgen.

- Als het apparaat te schuin staan kan de volgende methode wellicht niet afdoende zijn om dit te corrigeren.

1 Draai de voet aan de onderzijde tegen de klok in om deze te verwijderen.

2 Bevestig één van de meegeleverde ringen.

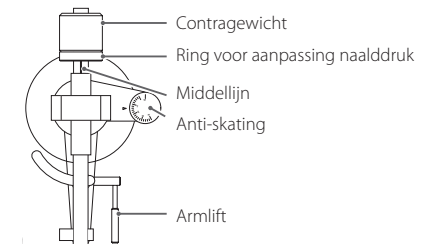


3 Bevestig de voet weer op de oorspronkelijke positie.

4 Druk op de vier hoeken van het apparaat om te controleren of het gewicht gelijkmatig over de vier voeten wordt verdeeld.

Als één van de voeten onvast aanvoelt, bevestig dan een ring op de manier zoals hierboven toegelicht.

De draaitafelarm balanceren en de naalddruk aanpassen

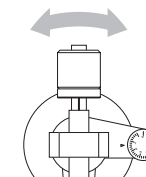


1 Zet de anti-skatingdraaiknop op nul.

2 Breng de armlift omhoog en verplaats de draaitafelarm enigszins naar links.

3 Breng de armlift omlaag.

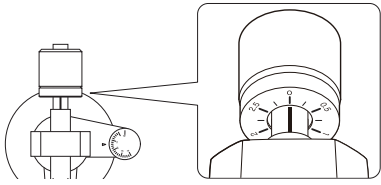
4 Draai aan het contragewicht en stel dit zo in dat de draaitafelarm horizontaal is.



- Alvorens de instelling te maken, draai eerst het beschermkapje omlaag, zodat er geen schade aan het element ontstaat.
- Laat de naald van het element geen contact maken met het apparaat.

- 5** Breng de draaitafelarm terug in de oorspronkelijke positie en plaats deze op de armhouder.

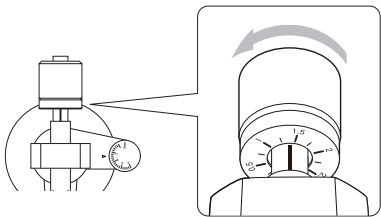
- 6** Draai aan de ring om de naalddruk aan te passen zodat de middellijn gelijk ligt met 0 op de schaal.



- Draai alleen aan de ring. Zorg dat het contragewicht niet draait.

- 7** Draai het contragewicht zo dat de ring voor aanpassing van de naalddruk overeenkomt met de naalddruk die voor het element wordt gespecificeerd.

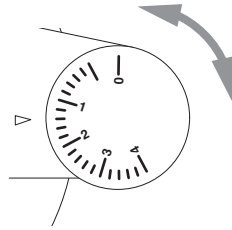
- De naalddruk van het meegeleverde element is 1,4 g.
Draai dus tot 1,4 op de schaal van het contragewicht bij gebruik van het meegeleverde element.



- Draai naar rechts van 0 in de richting van 0,5 en 1,0.

- 8** Pas de anti-skatingdraaiknop aan.

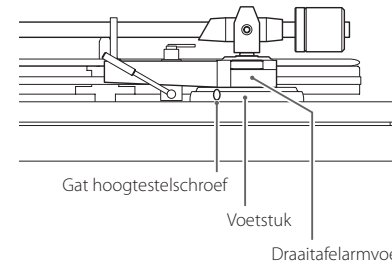
Start met deze knop op 1,4 en pas dit tijdens het afspelen van een grammofoonplaat (pagina 59) aan tot de positie waar de geluidsvolumes links en rechts in balans zijn.



De hoogte van de draaitafelarm aanpassen

Volg de onderstaande handelingen om de hoogte van de draaitafelarm aan te passen als deze niet horizontaal is tijdens het afspelen van een grammofoonplaat na het vervangen van het element of de elementhouder.

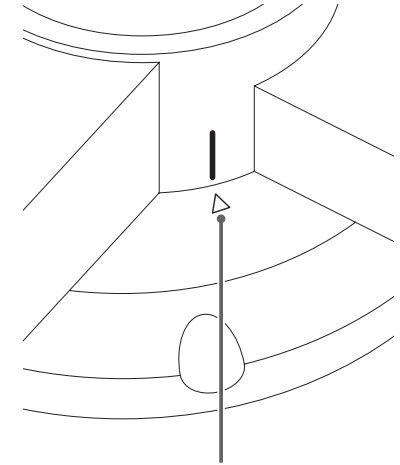
- 1** Plaats een grammofoonplaat op de draaitafel en plaats de naald op buitenrand (aanloopgroef) van de grammofoonplaat.
 - Laat de draaitafel niet draaien.
- 2** Plaats de meegeleverde inbussleutel in het gat van de hoogtestelschroef en draai deze tegen de klok in om de draaitafelarmvoet te ontgrendelen.



- 3** Houd de draaitafelarmvoet vast en pas de hoogte aan om de arm horizontaal te stellen.

- Zorg dat de draaitafelarm niet naar links of rechts beweegt bij het aanpassen van de hoogte.

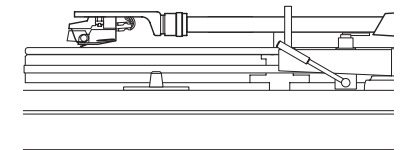
- 4** Draai de inbussleutel met de klok mee om de draaitafelarmvoet weer te vergrendelen.



Uitlijnpositie

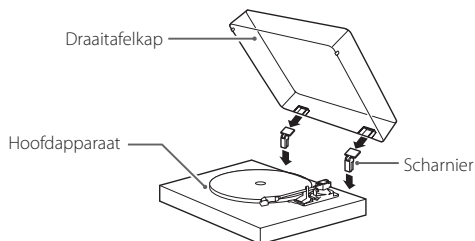
De draaitafelarmvoet kan naar links of rechts bewegen ten opzichte van het voetstuk. Stel de ijklijn (wit) op de draaitafelarmvoet in op de ▲-markering op het voetstuk, alvorens deze te vergrendelen.

- 5** Speel de grammofoonplaat af en controleer of de draaitafelarm nu horizontaal is.



Draaitafelkap

De draaitafelkap bevestigen



1 Steek de scharnieren volledig in de scharnierhouders aan de linker en rechter achterkant van het hoofdapparaat.

2 Breng de bovenkanten van de scharnieren op één lijn met de scharnierhouders van de draaitafelkap en schuif deze erin.

De draaitafelkap verwijderen

Houd de draaitafelkap aan beide kanten vast en wil deze langzaam omhoog om te verwijderen uit de scharnieren van het apparaat. Verwijder vervolgens de scharnieren van de draaitafelkap.

De draaitafelkap openen en sluiten

Openen

Houd de voorkant van de draaitafelkap vast en heef deze voorzichtig open totdat hij stuit.

De draaitafelkap blijft in deze positie openstaan.

Sluiten

Laat de draaitafelkap voorzichtig zakken tot deze is gesloten.

⚠ Voorkom dat uw hand klem komt te zitten, bijvoorbeeld bij het openen en sluiten van de draaitafelkap.

Het element verwisselen

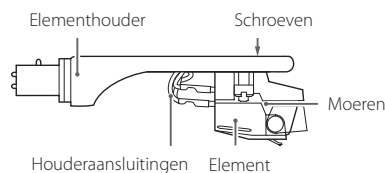
Verwijder voor het verwisselen van het element eerst de elementhouder van de draaitafelarm.

- Het in dit apparaat geïnstalleerde element is een equivalent van het Audio-Technica AT100E VM Type element. (de vervangingsnaald voor het geïnstalleerde element is groen. Deze heeft geen Audio-Technica-merk.)

OPMERKING

Elementen van het type VM hebben dezelfde eigenschappen als MM-elementen.

- We adviseren om het elementbeschermkapje omlaag te draaien voordat u deze taak uitvoert.

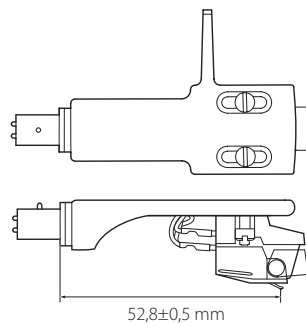


1 Maak de aansluitingen van de elementhouder los van het element.

2 Maak de schroeven los en verwijder het element.

3 Maak het nieuwe element vast en draai de schroeven aan.

Zie de onderstaande illustratie voor de positie van de schroeven als deze worden bevestigd.



4 Sluit de aansluitingen van de elementhouder aan op het element.

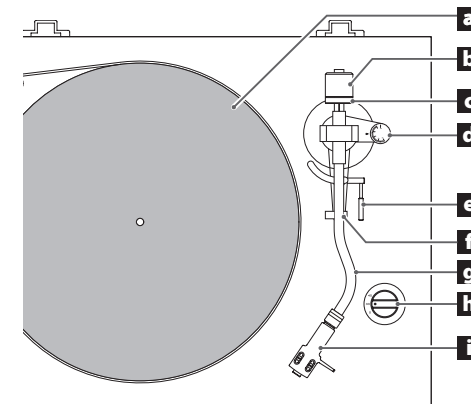
- De signalen en kleuren van de elementaansluitingen worden hieronder weergegeven.

Signaal	Kleur
Linker kanaal +	Wit
Linker kanaal -	Blauw
Rechter kanaal +	Rood
Rechter kanaal -	Groen

5 Balanceer de draaitafelarm en pas de naalddruk aan.

Volg de aanwijzingen in "De draaitafelarm balanceren en de naalddruk aanpassen" op pagina 56.

Namen en functies van onderdelen



a Draaitafel

Plaats grammofoonplaten gecentreerd op de draaitafel.

b Contragewicht

c Ring voor aanpassing naalddruk

d Anti-skatingknop

e Armlift

Gebruik van de armlift is veiliger en stabielere dan gebruik van een vinger voor het laten zakken en weer omhoog brengen van de naald op het oppervlak van de grammofoonplaat.

f Armhouder

Hier rust de draaitafelarm op.

g Draaitafelarm

h Toerental instelknop

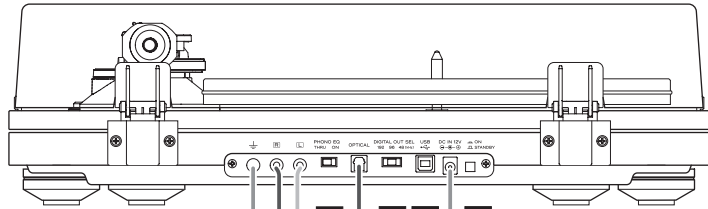
Stel het juiste toerental (RPM) voor de grammofoonplaat in.

Het draaien stopt als dit op 0 wordt ingesteld.

i Elementhouder

Dit is een universeel type waarmee het element eenvoudig kan worden vervangen.

Aansluitingen

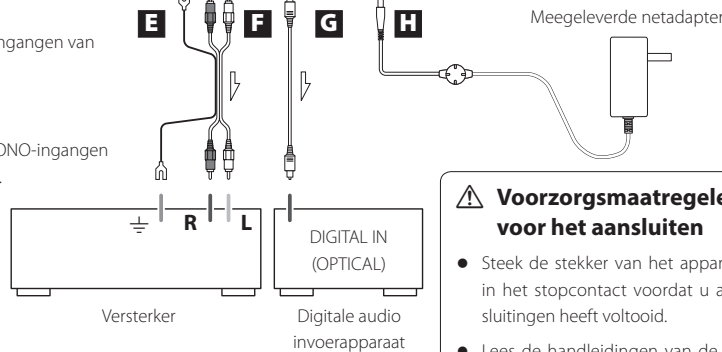


Als PHONO EQ is ON

Aansluiten op audio-ingangen van versterker, etc.

Als PHONO EQ is THRU

Aansluiten op de PHONO-ingangen van de versterker, etc.



⚠ Voorzorgsmaatregelen voor het aansluiten

- Steek de stekker van het apparaat niet in het stopcontact voordat u alle aansluitingen heeft voltooid.
- Lees de handleidingen van de apparatuur waarmee u aansluitingen tot stand brengt zorgvuldig en volg de instructies op bij het realiseren van de aansluitingen.

A Schakelaar PHONO EQ (instelling audio-uitgang)

ON

Signalen die zijn versterkt door de ingebouwde phono-toonregelingsversterker die MM-elementen ondersteunt, worden weergegeven via de analoge audio-uitgangen (L/R).

THRU

Het signaal van het MC- of MM-element wordt direct via de analoge audio-uitgangen (L/R) weergegeven. Gebruik dit bij aansluiting op apparatuur met PHONO-ingangen.

- Bij aflevering vanaf de fabriek is dit ingesteld op ON.
- Stel dit in op ON als een apparaat is aangesloten op de OPTICAL digitale audio-uitgang of de USB-poort.

LET OP

Indien ingeschakeld en aangesloten op de PHONO-ingangen van bijvoorbeeld een versterker kan de weergave via luidsprekers en hoofdtelefoons zeer luid zijn, wat de apparatuur of uw gehoor kan beschadigen.

B Selectieschakelaar digitale uitgang (DIGITAL OUT SEL)

Hiermee wordt de samplingfrequentie van de optische digitale uitgang geselecteerd.

- De ondersteunde maximale samplingfrequentie is 192 kHz.

C USB-poort (USB B-type)

Aansluiten op de USB-poort van een computer om het audiosignaal van dit apparaat om te zetten naar digitaal signaal en te verzenden naar de computer (pagina 60).

D Toets STANDBY/ON

Druk op de toets STANDBY/ON om het apparaat in te schakelen of op standby te zetten.

E Aardaansluiting (⏏)

Gebruik de aardingskabel van de meegeleverde RCA-kabel om deze op de aardaansluiting van bijvoorbeeld de versterker aan te sluiten.

- Dit is geen elektrische aardbeveiliging.

F Analoge audio-uitgangen (L/R)

Deze verzenden analoge audiosignalen.

De instelling van de schakelaar PHONO EQ wijzigt het type uitgangssignaal.

Gebruik de meegeleverde RCA audiokabel om andere apparatuur op de uitgangen van dit apparaat aan te sluiten.

G Optische digitale audiouitgang (OPTICAL)

Deze aansluiting verzendt digitale audio.

Sluit deze aan op de audio-ingangen van een apparaat dat digitale audio kan ontvangen.

Gebruik voor de verbinding een in de handel verkrijgbare optische digitale kabel (TOSLINK).

H DC-ingang

Voltooi eerst alle andere aansluitingen en sluit dan de meegeleverde netadapter op deze ingang aan.

Controleer of de stekker van de netadapter in het stopcontact is gestoken.

- Trek de stekker uit het stopcontact als u het apparaat voor langere tijd niet gaat gebruiken.
- Gebruik geen andere netadapter dan de meegeleverde.

⚠ **Zorg dat het netsnoer wordt aangesloten op een stopcontact dat het juiste voltage levert. Aansluiten op een stopcontact dat het verkeerde voltage levert kan brand of elektrische schokken veroorzaken.**

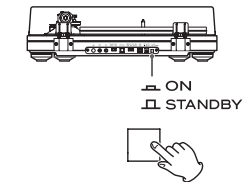
Houd de stekker vast als het snoer in het stopcontact wordt gestoken of eruit wordt getrokken. Trek nooit met kracht aan het netsnoer.

Trek de stekker uit het stopcontact als u het apparaat voor langere tijd niet gaat gebruiken.

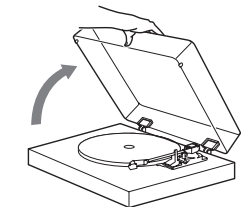
Basisbediening

Grammofoonplaten afspelen

- 1 Druk op de toets STANDBY/ON aan de achterkant van het apparaat om het in te schakelen.**

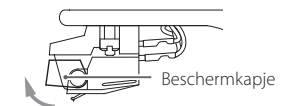


- 2 Open de draaitafelkap langzaam.**



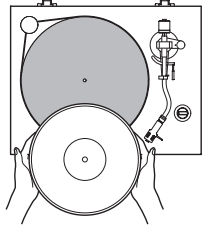
- ⚠ Voorkom dat uw hand klem komt te zitten, bijvoorbeeld bij het openen en sluiten van de draaitafelkap.**

- 3 Draai het elementbeschermkapje omhoog.**



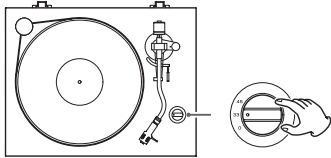
4 Plaats een grammfoonplaat op de draaitafel.

Gebruik bij het afspelen van een 45-toeren-single met een groot middengat de meegeleverde adapter.

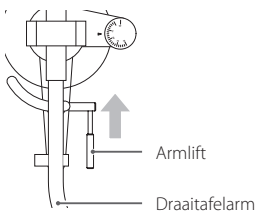


5 Stel de RPM in volgens de vermelding op de grammfoonplaat en start de draaitafel.

Het toerental kan worden ingesteld op 33 1/3 of 45 RPM (omwentelingen per minuut).

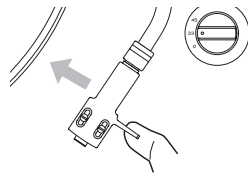


6 Breng de armlift omhoog.



- U kunt zonder de armlift te gebruiken de draaitafelarm ook met de hand boven de grammfoonplaat brengen en de arm langzaam omlaag brengen om het afspelen te starten.

7 Breng de draaitafelarm naar de rand van de grammfoonplaat of naar de track vanaf waar u met afspelen wilt starten.



8 Breng de armlift omlaag.

Breng de draaitafelarm langzaam omlaag tot de naald op de plaat terechtkomt en het afspelen begint.

- Wij adviseren om tijdens het afspelen van grammfoonplaten de draaitafelkap te sluiten om stofvorming te vermijden.

⚠ Plaats niets op de draaitafelkap.

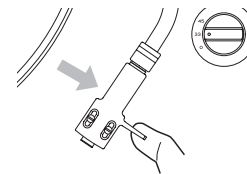
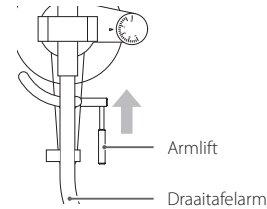
LET OP

- Raak tijdens afspelen de draaitafelarm of de draaiende grammfoonplaat niet aan.
- Stop het draaien van de draaitafel niet tijdens afspelen.

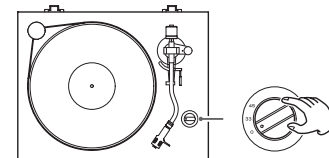
Als het geluidsvolume te hoog is, kan tijdens het afspelen van een grammfoonplaat feedback optreden. Als dit gebeurt, verlaag dan het volume van de versterker.

Als het afspelen is voltooid

1 Breng de armlift omhoog om de naald van de plaat te tillen en breng de draaitafelarm naar de uitgangspositie.



2 Draai de toerental instelknop naar 0 om de draaitafel te stoppen.



Sluit deze draaitafelarm aan op een computer om met behulp van een in de handel verkrijgbare USB-kabel audiosignalen te converteren van een grammfoonplaat naar digitale data en naar een computer te verzenden.

Ondersteunde besturingssystemen

Computers met de volgende besturingssystemen kunnen via USB op dit apparaat worden aangesloten (vanaf November 2015).

Windows

- Windows 7 (32-bit, 64-bit)
- Windows 8 (32-bit, 64-bit)
- Windows 8.1 (32-bit, 64-bit)
- Windows 10 (32-bit, 64-bit)

Mac OS X

- OS X Lion 10.7
- OS X Mountain Lion 10.8
- OS X Mavericks 10.9
- OS X Yosemite 10.10
- OS X El Capitan 10.11

Als u niet een van de bovenstaande besturingssystemen gebruikt, is de werking niet gegarandeerd.

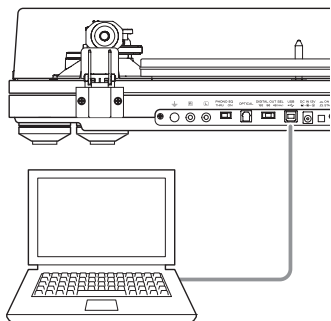
- Dit apparaat werkt met het standaard OS-stuurprogramma, dus er hoeft geen speciaal stuurprogramma te worden geïnstalleerd.

Aansluiten op een computer

1 Schakel de computer in.

Controleer of het besturingssysteem correct werkt.

2 Sluit de computer en dit apparaat op elkaar aan met de USB-kabel.



- Gebruik een in de handel verkrijgbare USB-kabel met een ferrietkern als u het apparaat op de computer aansluit.

3 Druk op de toets STANDBY/ON van dit apparaat om het in te schakelen.

Als de verbinding tot stand is gebracht, detecteert de computer automatisch de USB-poort van dit apparaat en wordt deze geïdentificeerd als "USB Audio CODEC".

- Om audio van deze draaitafel met een computer te kunnen opnemen moet u eerst software installeren waarmee audio op de computer kan worden opgenomen. U kunt de audio-opnamesoftware van uw eigen keus afzonderlijk kopen of gratis software zoals Audacity (<http://audacity.sourceforge.net/>) van internet downloaden. Audacity is gratis software die niet wordt ondersteund door TEAC.
- Vermijd het volgende als er verbinding is met een computer via USB en er audio wordt opgenomen. Hierdoor kan de computer onjuist gaan functioneren. Sluit de opnamesoftware op de computer altijd af, alvorens de volgende handelingen te verrichten.
 - De USB-kabel losmaken
 - Het apparaat op standby schakelen

Computerinstellingen

Het volgende voorbeeld behandelt de instellingen die moeten worden gemaakt met behulp van Windows 7.

1 Selecteer Configuratiescherm in het menu Start.

2 Klik op "Geluid".

3 Klik op het tabblad "Opnemen" en controleer of "USB Audio CODEC" is ingesteld als "Standaardapparaat".

4 Selecteer "Microphone USB Audio CODEC" en klik op de toets Eigenschappen.

5 Klik op het tabblad "Geavanceerd".

6 Kies in het vervolgkeuzemenu "Standaardindeling" de gewenste opnamekwaliteit (indeling).

TIP

"2 kanaals, 16 bit, 48000 Hz (DVD-kwaliteit)" zorgt voor hoge geluidskwaliteit, maar vereist ook meer opslagruimte. Opname met een lagere samplingfrequentie vermindert de geluidskwaliteit, maar gebruikt ook minder opslagruimte.

7 Klik op "OK".

Problemen oplossen

Als u een probleem met dit apparaat ervaart, controleer dan eerst de volgende onderdelen alvorens service aan te vragen. Er kan ook een andere oorzaak voor het probleem zijn dan dit apparaat. Controleer ook of de aangesloten apparaten op de juiste manier worden gebruikt.

Als er nog steeds niet correct werkt, neem dan contact op met de leverancier waar u het apparaat heeft gekocht.

Geen stroom.

- ➔ Controleer of de netadapter in het stopcontact is gestoken. Druk vervolgens op de toets STANDBY/ON om het apparaat in te schakelen (pagina 59).

Geluidsvolume is laag.

- ➔ Zet bij aansluiten van de analoge audio-uitgangen van dit apparaat op de analoge audio-ingangen van een versterker of andere apparatuur de schakelaar PHONO EQ (instelling audioingang) op ON (pagina 59).

- ➔ Zet als u de phono-equalizerversterker van dit apparaat niet gebruikt, de schakelaar PHONO EQ (instelling audio-uitgang) op THRU en sluit de analoge audio-uitgangen (L/R) aan op de PHONO-ingangen van een versterker of andere apparatuur.

Sluit het meegeleverde element (gelijkwaardig met MM) aan op PHONO-ingangen die compatibel zijn met MM-ingangssignaal.

Schakel bij gebruik van een MC-element de schakelaar PHONO EQ (instelling audio-uitgang) op THRU en sluit deze aan op PHONO-ingangen die compatibel zijn met MC-ingangssignaal op de versterker of andere apparatuur. Bij de PHONO-ingangen van sommige apparatuur kan mogelijk worden gekozen tussen gebruik met MM- of MC-ingangssignaal. Raadpleeg voor details de bedieningshandleiding van het betreffende apparaat.

Afspelen is niet mogelijk; er is ruis te horen.

- ➔ Draai het beschermkapje omhoog (pagina 59).
- ➔ Reinig de naald (pagina 55).
- ➔ Als de naald is versleten, vervang deze dan (pagina 55). De levensduur van een naald is afhankelijk van de gebruikscondities, maar bedraagt meestal ongeveer 300 uur.
- ➔ Plaats dit apparaat zover mogelijk van TV's, magnetrons en andere apparatuur die elektromagnetische golven uitzendt.

Er is ruis te horen als er een opname wordt afgespeeld.

- ➔ Er kan ruis optreden als de naalddruk hoger is dan voor het element wordt opgegeven. Pas de naalddruk opnieuw aan naar de opgegeven waarde (pagina 56).

De toonhoogte is niet correct.

- ➔ Stel het toerental (RPM) in zoals op de grammofoonplaat aangegeven (pagina 59).

Het geluid hapert.

- ➔ Trillingen kunnen haperingen veroorzaken. Plaats dit apparaat op een stabiele locatie.
- ➔ Als de plaat verontreinigd is, veeg deze dan schoon.
- ➔ Gebruik geen grammofoonplaten met krassen.
- ➔ Balanceer de draaitafelarm en pas de naalddruk opnieuw aan (pagina 56). Als de naalddruk lager is dan voor het element aanbevolen, kan het geluid sneller gaan haperen.

Specificaties

Draaitafel

Aandrijving . . . Hoogwaardige aandrijfsnaar met rotatiedetectie
Motor Gelijkstroommotor
Toerental 33 1/3 rpm, 45 rpm
Precisie rotatiedetectie $\pm 0,05$ % (33 1/3 rpm)
Wow en flutter 0,1 %
Signaal/ruisverhouding 67 dB of hoger
(A-gewogen, 20 kHz LPF)
Draaitafel Acryl, 30 cm diameter (12 inch)
Voetstuk Kunstmatige marmer en hout

Draaitafelarm

Type arm Draaitafelarm met S-vorm en vaste balans
Effectieve armlengte 223 mm
Variatiebereik naalddruk 0–5 g
Geschikt gewicht element 15–23 g
(inclusief elementhouder)
Overhang 18 mm
Volgafwijking 3 % of minder
Aanpassingsbereik armhoogte ongeveer 6 mm

Element

Type VM (equivalent van MM)
Uitgangsvoltage 4,5 mV (1 kHz, 5 cm/s)
Naalddruk $1,4 \pm 0,4$ g
Gewicht element $6,5 \pm 0,2$ g
Inclusief gewicht elementhouder
10 g (inclusief schroeven, moeren en bedrading)

- De levensduur van een naald is afhankelijk van de gebruikscondities, maar bedraagt meestal ongeveer 300 uur.
- Het in dit apparaat geïnstalleerde element is een equivalent van het Audio-Technica AT100E VM Type element. (de vervangingsnaald voor het geïnstalleerde element is groen. Deze heeft geen Audio-Technica-merk.)
Opmerking: Elementen van het type VM hebben dezelfde eigenschappen als type MM elementen.

Uitgangsvoltage

PHONO EQ THRU 4,5 mV ± 3 dB
PHONO EQ ON 230 mV (–13 dBV)
Uitgangen RCA

USB-poort

USB 2.0 (Full Speed) standaard compliant
USB-aansluiting type B
Ondersteuning USB-voeding 5 V, 500 mA

- Sluit het apparaat met een in de handel verkrijgbare USB-kabel aan op een computer om hierdoor voeding te ontvangen.

Samplingfrequentie
8 kHz, 11,025 kHz, 16 kHz, 22,05 kHz, 32 kHz, 44,1 kHz, 48 kHz
Kwantisatie bitdiepte 16-bit

Optische digitale audiouitgang (OPTICAL)

Vermogen –21,0 tot –15,0 dBm
Samplingfrequentie 48 kHz, 96 kHz, 192 kHz
Kwantisatie bitdiepte 24-bit

Algemeen

Vermogen netadapter
Ingang AC 100–240 V, 50–60 Hz
Vermogen 12 V, 500 mA
Opgenomen vermogen
Standby 0,2 W of minder
On
0 2,3 W of minder
33 3 W of minder
45 3,25 W of minder
Gewicht 9 kg
Temperatuurbereik voor gebruik 5 °C tot 35 °C
Afmetingen (B × H × D, inclusief uitstekende delen)
420 mm × 131,5 mm × 355 mm

- Prestatiegegevens zijn gespecificeerd bij 20 °C.

Meegeleverde accessoires

Draaitafelmat × 1
45 RPM adapter × 1
Contragewicht × 1
Elementhouder × 1
Geleverd met Audio-Technica VM Type (dual magnet) stereo element (identiek aan AT100E)
Draaitafel × 1
Poeliekap × 1
Ringen × 4
Inbussleutel × 1
RCA audiokabel met aardaansluiting × 1
Netadapter (GPE053A-V120050-Z) × 1
Gebruikershandleiding
(dit document inclusief garantie) × 1

- Specificaties en uiterlijk kunnen worden gewijzigd zonder voorafgaande kennisgeving.
- Gewicht en afmetingen zijn benaderingen.
- Afbeeldingen in deze gebruikershandleiding kunnen enigszins afwijken van de productiemodellen.

VIKTIGA SÄKERHETSINSTRUKTIONER



CAUTION
RISK OF ELECTRIC SHOCK
DO NOT OPEN



OBS: FÖR ATT MINSKA RISKEN FÖR ELSTÖTAR TA INTE BORT SKYDDET (ELLER BAKSIDAN). INGA DELAR INUTI SOM ANVÄNDAREN KAN REPARERA. LÅT KVALIFICERADE SERVICETEKNIKER UTFÖRA ALLT SERVICEARBETE.

Den lysande lampan med pilsymbol inom en lik-sidig triangel är avsedd för att varna användaren för närvaro av oisolerad "farlig spänning" inom produktens hölje som kan ha en betydande storlek för att skapa risk för elstötar för personer.



Utropstecknet inom den liksidiga triangeln är avsedd till att varna användaren för närvaro av viktiga drift- och underhållsanvisningar (service) i handboken som medföljer enheten.



VARNING: FÖR ATT MINSKA RISKEN FÖR BRAND ELLER ELSTÖTAR, UTSÄTT INTE ENHETEN FÖR REGN ELLER FUKT.

FÖRSIKTIGHET

- Ta inte bort det externa höljat eller skåpet för att utsätta elektroniken. Det finns inga delar inuti som användaren kan reparera.
- Om du upplever problem med denna produkt skall du kontakta butiken där du köpte enheten för service. Använd inte produkten tills den har reparerats.
- Användning av kontroller eller justering eller prestanda av procedurer annat än som specificeras här kan leda till farlig utsättning för strålning.

- 1) Läs dessa anvisningar.
- 2) Behåll dessa anvisningar.
- 3) Följ alla varningar.
- 4) Följ alla anvisningar.
- 5) Använd inte enheten nära vattnet.
- 6) Rengör den endast med en torr trasa.
- 7) Blockera inga ventilationsöppningar. Installera i enlighet med tillverkarens anvisningar.
- 8) Installera den inte i närheten av värmekällor som element, värmeblock, kaminer eller andra enheter (inklusive förstärkare) som producerar värme.
- 9) Gör inte emot säkerhetsanordningen med polariserad kontakt eller jordningskontakt. En polariserad kontakt har

två blad, en bredare än den andra. En jordningskontakt har två blad och en tredje jordningspinne. Den breda bladen eller den tredje pinnen r där för din säkerhet. Om den medföljande kontakten inte passar till ditt uttag, prata med en elektriker för att byta det gamla uttaget.

- 10) Skydda strömkablar från att böjas eller spricka främst i närheten av kontakter, vanliga fästen i punkten där de kommer ut från enheten.
- 11) Använd endast tillbehör/accessoarer som specificeras av tillverkaren.
- 12) Använd endast tillsammans med vagnen, ståndet, trefoten, bricka eller bordet som specificeras av tillverkaren eller som säljs med enheten. Om det används en vagn, var försiktig när du flyttar vagnen/enheten i kombination för att undvika skador vid vältnig.
- 13) Koppla från denna enhet med åskan eller om du inte använder den över en längre tid.
- 14) Låt service utföra av kvalificerad servicepersonal. Service behövs när enheten har på något sätt skadats som till exempel att strömladden- eller kontakten är skadad, att det har spillts ut vätska eller om det har fallit i föremål i enheten, enheten har varit utsatt för regn eller fukt, fungerar inte normalt eller har tappats.



- Apparaten drar nominella icke-operativ ström från vägguttaget med dess POWER eller STANDBY/ON-knappen inte i ON-läge.
- Nätkontakten används som fränkopplingsenhet och fränkopplingsenheten ska vara driftsduglig.
- Försiktighet bör iakttagas vid användning av öronsnäckor eller hörlurar med produkten eftersom överdrivet ljudtryck (volym) från öronsnäckor eller hörlurar kan orsaka hörselskador.

FÖRSIKTIGHET

- Utsätt inte denna apparat för dropp eller stänk.
- Ställ inga föremål som innehåller vätska, t.ex. vaser, på apparaten.
- Installera inte apparaten i ett slutet utrymme såsom en bokhylla eller liknande.
- Apparaten ska placeras tillräckligt nära vägguttaget så att du lätt kan nå nätsladden när som helst.

FÖRSÄKRAN OM ÖVERENSSTÄMMEELSE

Härmed förklarar TEAC Corporation att produkten överensstämmer med kraven i de Europeiska direktiv och andra regleringar från Kommissionen.





FÖRSIKTIGHET

Ändringar eller modifieringar som inte uttryckligen är godkända av parten som har ansvaret för överensstämmelsen skulle kunna ogiltiggöra användarens behörighet att bedriva utrustningen.

För kunder i Europa

Kassering av elektrisk och elektronisk utrustning och batterier och/eller ackumulatörer

- a) Alla elektriska/elektroniska produkter och förbrukade batterier/ackumulatörer bör kasseras separat från hushållsavfall, helst via insamlingsanläggningar som bestämts av regeringen eller lokala myndigheter.
- b) Genom att kassera elektriska/elektroniska produkter och förbrukade batterier/ackumulatörer på rätt sätt hjälper du till att spara värdefulla resurser och förhindrar eventuella negativa effekter på människors hälsa och på miljön.
- c) Felaktig kassering av avfall från elektriska/elektroniska produkter och batterier/ackumulatörer kan få allvariga effekter på miljön och människors hälsa. Detta på grund av förekomsten av farliga ämnen i utrustningen.
- d) Symboler som visar en överstruken soptunna indikerar att elektrisk/elektronisk utrustning och batterier/ackumulatörer måste samlas och kasseras separat från hushållsavfallet.
Om ett batteri eller ackumulatör innehåller mer än de specificerade värdena av bly (Pb), kvicksilver (Hg) och/eller kadmium (Cd) enligt definitionen i batteridirektivet (2006/66/EC), kommer de kemiska symbolerna för dessa element visas under WEEE symbolen.


Pb, Hg, Cd
- e) Återlämnings- och insamlingsystem finns tillgängliga för slutanvändare. För mer detaljerad information om avfallshandling av gammal elektrisk/elektronisk utrustning och förbrukade batterier/ackumulatörer, var god kontakta din kommun, renhållningsverket eller den butik där du köpte utrustningen.

Innehåll

Tack för att du har valt TEAC.

Läs noggrant denna bruksanvisning, för att få ut enhetens bästa prestanda.

Efter att du har läst den, vänligen spara den på en säker plats för framtida bruk.

VIKTIGA SÄKERHETSINSTRUKTIONER.....	63
Före användning.....	64
Hantera skivor.....	65
Anmärkning om skivstylusar.....	65
Förbereda skivspelaren.....	66
Skivspelarlock.....	68
Byta patron.....	68
Namn och funktion på enhetens delar.....	68
Anslutningar.....	69
Grundläggande användning.....	69
Spela in med datorn.....	70
Felsökning.....	71
Specifikationer.....	72

Apple, Mac, Mac OS and OS X are trademarks of Apple Inc., registered in the U.S. and other countries.

Microsoft and Windows are either registered trademarks or trademarks of Microsoft Corporation in the United States and/or other countries.

Andra företagsnamn, produktnamn och logotyper i detta dokument är varumärken eller registrerade varumärken som tillhör sina respektive ägare.

Före användning

Medföljande delar

Kontrollera lådan för att vara säker på att den innehåller all medföljande tillbehör nedan. Vänligen kontakta butiken där du köpte enheten om något av dessa tillbehör saknas eller har skadats under transporten.

- Skivmatta × 1
- 45 RPM-adapter × 1
- Motvikt × 1
- Headshell × 1
 - Förinstallerad Audio-Technica VM-stereopatron (dubbel magnet, ekvivalent med AT100E)
- Skivspelare × 1
- Remskivskydd × 1
- Brickor × 4
- Insexnyckel × 1
- RCA-ljudkabel med jordterminal × 1
- Nätadapter (GPE053A-V120050-Z) × 1
- Bruksanvisning (detta dokument inklusive garanti) × 1
 - Förvara bruksanvisningen på ett säkert ställe för framtida referens.
 - Garantin för USA och Kanada står på baksidan. Se sida 73 för garantivillkor. Se sida 74 för information om garantin i Europa och andra länder eller områden.

Försiktighetsåtgärder för användning

- Placera inget på skivspelarens lock. Föremål på locket skulle kunna orsaka buller på grund av vibrationer eller falla ner, framför allt vid uppspelning.
- Undvik att placera enheten i direkt solljus, nära till värme-källor eller i liknande förhållanden. Placera inte enheten på en förstärkare eller annan utrustning som kan generera värme som överskrider driftstemperaturnivån av denna enhet. Om du gör så, kan det komma till missfärgningar, deformationer och fel funktion.

Använda TEAC Global Site

Du kan ladda uppdateringar för denna enhet från TEAC Global Site: <http://teac-global.com/>

- 1) Öppna TEAC Global Site.
- 2) Under TEACs "Downloads"-avsnitt, klicka på det önskade språket för att öppna nedladdningssidan för det språket.

NOTERA

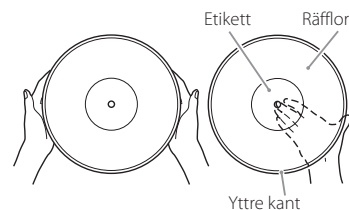
Om det önskade språket inte visas, klicka på "Other Languages".

- 3) Klicka på produktnamnet i avsnittet "Products".
- 4) Välj och hämta de uppdateringar som behövs.

Hantera skivor

Hålla skivor

När du håller en skiva eller tar ut den från sitt omslag, undvik att röra räfflorna genom att hålla skivan vid dess etikett och kanten med en hand eller genom att hålla den vid dess kant med båda händer.



Rengöring

- Fingeravtryck eller damm på en skiva kan orsaka buller och ljudet kan hoppa samt kan skivan skadas och även stylusen. Använd en separat inköpt skivrenörare för att rengöra skivor. Använd inte en förtunnare eller något annat än en skivrenörare. Sådana kemikalier kan skada skivans yta.
- Om du använder en skivrenörare, torka av skivans yta i kretsriktning, genom att följa räfflorna.



Försiktighetsåtgärder

- Lämna inte skivorna på platser där de utsätts för direkt solljus eller på väldigt varma och fuktiga platser. Om du lämnar en skiva under sådana omständigheter under en längre tid, kan det orsaka att den blir skev eller andra skador.
- Lägg inte flera skivor på varandra eller placera inte tunga objekt på dem. Lämna inte heller skivor i ett hörn för en längre tidsperiod. De skulle kunna bli skeva eller skadade på ett annat sätt.
- Låt inte hårda objekt direkt röra vid ljudräfflorna. Det skulle kunna orsaka repor.
- När du har spelat klart en skiva, placera den alltid tillbaka i sitt omslag för lagring. Om du lämnar skivor oskyddade, kan de bli skeva eller repiga.
- Använd inte spruckna skivor.

Anmärkning om skivstylusar

- Inspelingsstylus är exakta delar, alltså skall du hantera dem försiktigt för att förhindra att deras spetsar böjs eller skadas. Om stylusen blir böjd eller skadad, kommer den att kanske inte kunna följa ljudräfflorna exakt och skulle kunna skada skivorna eller orsaka annan felfunktion.
- Om stylusen blir smutsig, använd en kommersiellt tillgänglig stylusrenörare eller liknande produkt för att rengöra den.
- Skrubba inte stylusens spets med våld med något hårt. Torka inte av stylusen med en förtunnare eller andra kemikalier. Det skulle kunna skada den.

Byta ut stylusen

Använd en Audio-Technica ATN100E-ersättningsnål.

- Patronen som finns installerad i denna enhet är den samma som Audio-Technica AT100E VM-patrontyp. (Ersättningsnålen för den installerade patronen är grön. Den har inte ett Audio-Technica-märke.) Anmärkning: VM-patrontyper har samma karakteristik som MM-patrontyper.
- Följ anvisningarna för byte i manualen för ersättningsstylus.

VIKTIG ANMÄRKNING

- Eftersom starka ljud kan förekomma, sätt enheten i vänteläge innan du byter nålen.
- Var försiktigt att du inte skadar din hand eller utrustningen.
- Tillåt inte att små barn oavsiktligt sväljer nålar.

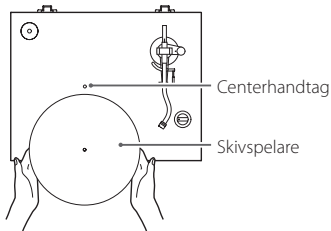
Håll enheten i vänteläge medan du konfigurerar (E på sida 69).

1 Placera den på en flat yta.

2 Installera skivspelaren.

Justera skivspelaren till mellanhandtaget och installera den.

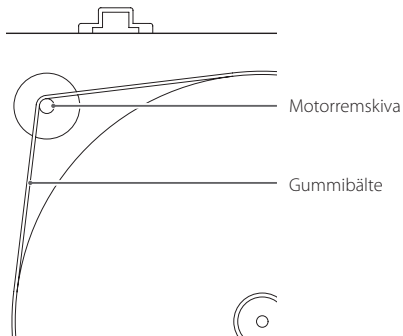
- Placera den stora sidan av hålet ned.



3 Linda bältet runt motorremskivan.

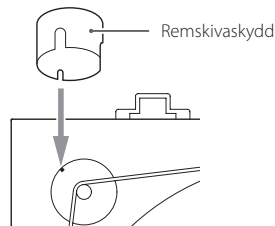
Linda det medföljande gummibandet runt utsidan av skivspelaren och linda sedan bandet runt remskivan.

- Var försiktig att gummit inte vrids.
- Vrid med skivspelaren flera gånger för att kontrollera att den är säkrad.



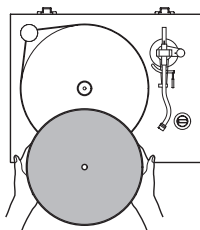
4 Installera remskivans skydd.

Föreña den lilla utskärningen i remskivans skydd med den lilla utsprånngen på remskivan som det visas på bilden nedan. Om dess inte är förenade, kommer remskivanskyddet att luta.



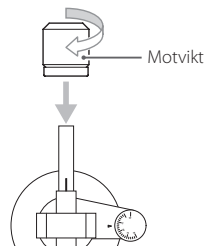
5 Placera den skivmattan på skivspelaren.

Placera den mattan som medföljer skivspelaren före användning.



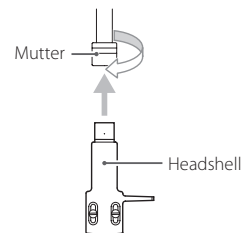
6 Installera motvikten.

Placera motvikten över änden av tonarmen och tryck in den försiktigt när du vrider med den för att bifoga den.



7 Installera headshellen.

Placera headshellen på änden av tonarmen och vrid med muttern för att säkra den på plats.



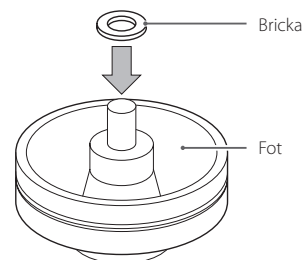
Bekräfta att den sitter jämnt och är fininställd.

För att bekräfta att skivspelaren är placerad jämnt, rekommenderar vi att till exempel använda en kommersiellt tillgänglig utjämningsenhet för skivspelare. Om skivspelaren inte är jämn, följ procedureerna nedan, om hur du justerar fötternas höjd för att jämna ut enheten.

- Om lutningen är för stor, kommer kanske den följande metoden inte kunna rätta till den.

1 Vrid med foten på den låga sidan moturs för att ta bort den.

2 Bifoga en av de medföljande brickor,

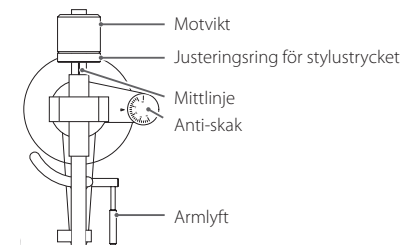


3 Sätt fast foten i ursprunglig position igen.

4 Tryck ned de fyra hörnen på enheten för att bekräfta att vikten fördelas jämnt på alla fyra fötter.

Om en av fötterna är vinglig, montera dit ett underlägg som det förklaras ovan och justera dess höjd.

Balansera ut tonarmen och justera stylstrycket

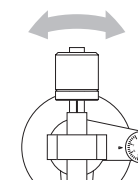


1 Ställ in anti-skak-ratten till noll.

2 Lyft armliften och flytta tonarmen lite till vänster.

3 Sänk tonarmen.

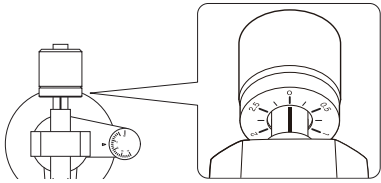
4 Vrid med motvikten och justera den att tonarmen är vågrät.



- Innan du justerar, sänka skyddet för att inte skada patronstylusen.
- Var försiktig att patronstylusen inte kommer i kontakt med enheten.

5 Sätt tillbaka tonarmen till dess originalposition och plats den på tonarmhållaren.

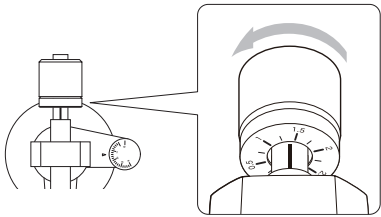
6 Vrid med justeringsringen för stylstrycket, så att mittlinjen står på 0 på skalan.



- Vrid endast med ringen. Var försiktig att motvikten inte vrids.

7 Vrid med motvikten, så att justeringsringens skala för stylstrycket matchar stylstrycket som specificeras för patronen.

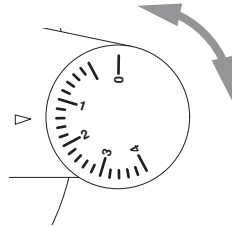
- Stylstrycket av den medföljande patronen är 1,4 g. Vrid den till 1,4 på motviktsskalan, när du använder den medföljande patronen.



- Vrid den från 0 i riktning av 0,5 och 1,0.

8 Justera anti-skak-ratten.

Starta med den inställd till 1,4 och justera medan du spelar upp skivan (sida 69) till positionen där den vänstra och högra volymen är balanserad.



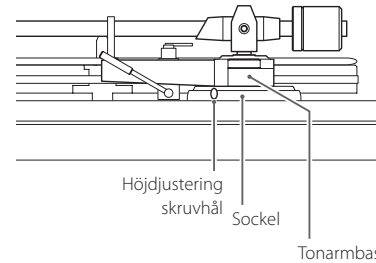
Justera tonarmens höjd

Följ proceduren nedan för att justera tonarmens höjd, om den inte är jämn när en skiva spelas upp, efter att du har bytt patronen eller headshellen.

1 Lägg en skiva på skivspelaren och sätt skivnälen i kanten av skivan.

- Låt inte skivspelaren rotera.

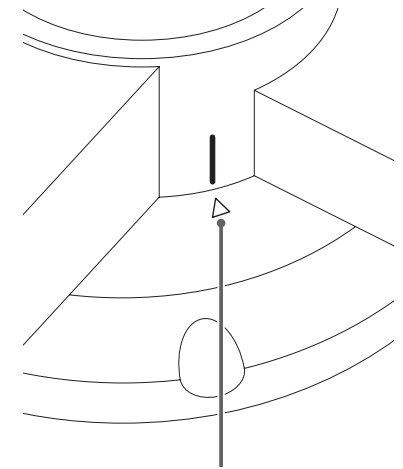
2 Sätt i den medföljande insexnyckel till skruvhålen för höjjustering och vrid med den moturs för att låsa upp tonarmens bas.



3 Håll tonarmens bas och justera höjden för att göra tonarmen jämn.

- Var försiktig att du inte låten tonarmen flyttas till höger eller till vänster när du justerar höjden.

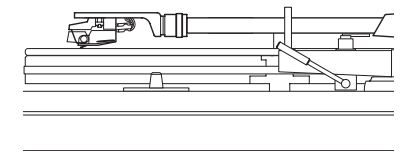
4 Vrid med insexnyckeln medurs för att låsa tonarmens bas.



Justeringsposition

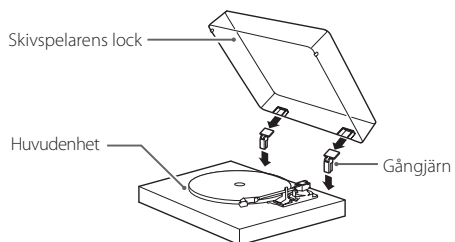
Denna tonarmsbas kan flyttas till vänster och höger i relation till sockeln. Företräda ledaren (vit) på tonarmens bas med märket ▲ på sockeln innan du låser den.

5 Spela upp skivan och kontrollera att tonarmen är jämn nu.



Skivspelarslock

Sätta på skivspelarens lock



1 Sätt gångjärn komplett i gångjärnhållarna på vänster och höger slut av huvudenhetens baksida.

2 Rätta upp toppen av gångjärn med lockets gångjärnhållare och sätt in dem.

Ta bort skivspelarens lock

Håll båda kanter av skivspelarens lock och lyft den sakta för att ta bort den tillsammans med gångjärn från enheten. Sedan ta bort gångjärn från skivspelarens lock.

Öppna och stänga skivspelarens lock

Öppna

Håll framkanten av skivspelarens lock och lyft den försiktigt för att öppna den helt tills den stoppas.

Skivspelarens lock kan vara öppet i denna position.

Stänga

Sänk mjukt skivspelarens lock tills den stängs.

⚠ var försiktig att du inte klämmer din hand när du t ex öppnar och stänger skivspelarens lock.

Byta patron

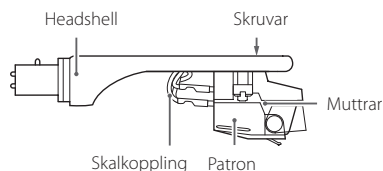
För att byta patron, ta först bort headshellen från tonarmen.

- Patronen som finns installerad i denna enhet är den samma som Audio-Technica AT100E VM-patroner. (Ersättningsnålen för den installerade patronen är grön. Den har inte ett Audio-Technica-märke.)

ANMÄRKNING

VM-patroner har samma karakteristik som MM-patroner.

- Vi rekommenderar att du sänka patronstylusens skyddet innan du gör denna uppgift.

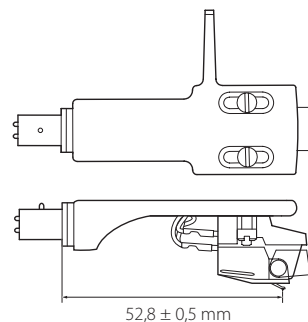


1 Koppla från skalkopplingens terminal från patronen.

2 Lossna skruvar och ta bort patronen.

3 Sätt in ny patron och dra åt skruvarna.

Se bilderna nedan, vilken position skruvarna skall ha när de är monterade.



4 Anslut skalkopplingens styrterminal till patronen.

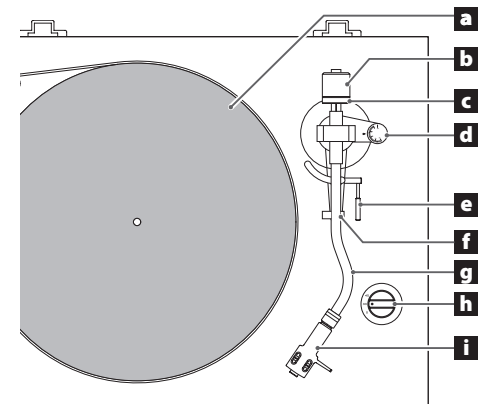
- Signalen och färgen på skalkopplingen visas nedan.

Signal	Färg
Vänster kanal +	Vit
Vänster kanal -	Blå
Höger kanal +	Röd
Höger kanal -	Grön

5 Balansera ut tonarmen och justera stylusstrycket.

Följ anvisningarna i "Balansera ut tonarmen och justera stylusstrycket" på sidan 66.

Namn och funktion på enhetens delar



a Skivspelare

Lägg en skiva i mitten på skivspelaren.

b Motvikt

c Justeringsring för stylusstrycket

d Anti-skak-ratt

e Armlift

Att använda denna armlift är säkrare och mer säkert än att använda ett finger när man sänker nålspetsen på skivans yta samt lyfter denna.

f Tonarmhållare

Detta är vilopositionen för tonarmen.

g Tonarm

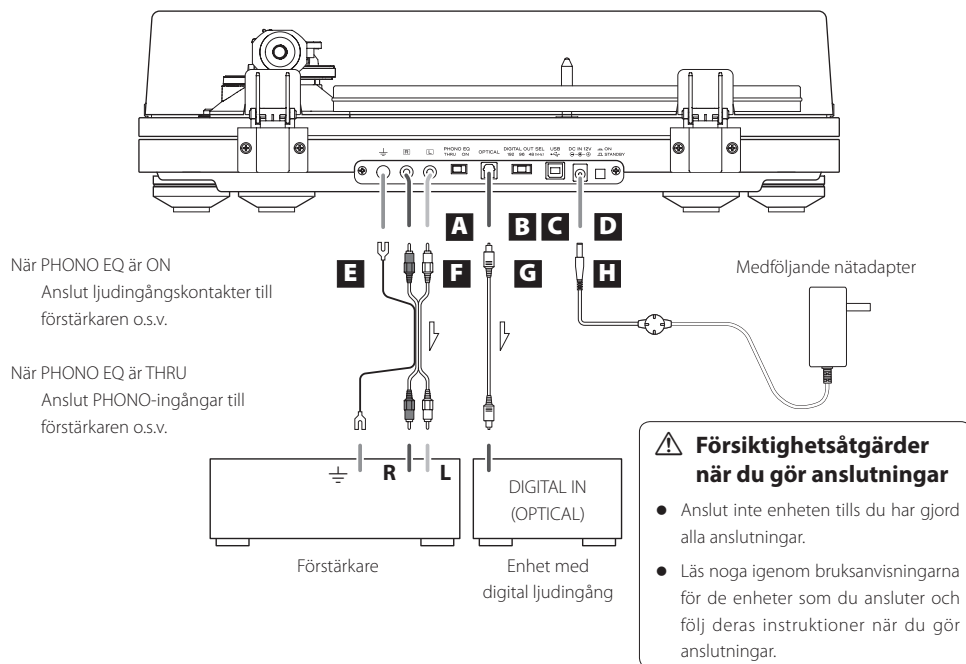
h Ratt för inställning av rotationshastighet

Ställ in rotationshastigheten (RPM), så att den passar skivan. Rotationen kommer att stoppa när den är inställd till 0.

i Headshell

Detta är en universell typ som tillåter att patronen ändras enkelt.

Anslutningar



A PHONO EQ-brytare (inställning för ljudutmatning)

ON

Signaler som har förstärkts av den inbyggda phono-frekvenskorrigeringsförstärkaren som stödjer MM-patroner matas ut från de analoga ljudutmatningskontaktarna (L/R).

THRU

MC- eller MM-patronsignalen matas ut direkt genom det analoga ljudutgångskontakter (L/R). Använd denna när du ansluter utrustning som har PHONO-ingångar.

- Vid leverans från fabriken, är detta inställt på ON.
- Ställ in detta till PÅ, om en enhet är ansluten till den digitala ljudutmatningskontakten OPTICAL eller USB-porten.

FÖRSIKTIGHET

När inställd på ON, om du ansluter PHONO-ingången till till exempel en förstärkare, kommer utmatningen från högtalarna och hörlurarna vara väldigt hög. Det skulle kunna skada utrustningen eller din hörsel.

B Valbrytare för digital utgång (DIGITAL OUT SEL)

Använd för att välja samplingsfrekvensen av den optiska digitalutmatningen.

- Den maximala samplingsfrekvens som stöds är 192 kHz.

C USB-port (USB B-typ)

Anslut denna till USB-porter på datorn för att konvertera ljudsignalen från denna enhet till digital och mata den till datorn (sida 70).

D STANDBY/ON-knapp

Tryck på STANDBY/ON-knappen för att sätta på enheten eller sätta den i vänteläge.

E Jordkontakt (⏏)

Använd jordkabel av den medföljande RCA-ljudkabel för att till exempel ansluta denna kontakt till jordkontakten på förstärkaren.

- Denna är INTE elsäkert jordad.
- Om ansluta jordkabeln av ljudkabeln till jordkontakten på denna enhet inte minskar buller, koppla från jordkabeln och kontrollera ljudet igen. Använd metoden (ansluten/inte ansluten) som har det minsta bullret.

F Analog ljudutgångskontakter (L/R)

Dessa matar ut analoga ljudsignaler. Inställningen för PHONO EQ-brytare ändrar typen av utmatningssignalen.

Använd den medföljande RCA-ljudkabel för att ansluta annan utrustning till dess utgångskontakter på denna enhet.

G Optisk digital ljudutgång (OPTICAL)

Detta matar ut digitalt ljud. Anslut detta till den optiska ljudingångskontakten av en enhet som kan motta digitalt ljud.

Använd en separat inköpt optisk digitalkabel (TOSLINK) för att göra anslutningen.

H DC-ingångskontakt

Efter att du har slutfört alla andra anslutningar, anslut den medföljande nätadaptern till denna kontakt. Bekräfta att strömkontakten av nätadaptern är ansluten till strömuttaget.

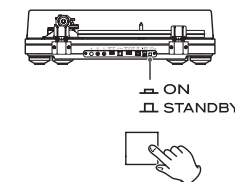
- Koppla från nätsladden från uttaget om du inte skall använda enheten över en längre tidsperiod.
- Använd inte en annan nätadapter än den som medföljde.

- ⚠ Var noga med att ansluta nätsladden till ett eluttag som levererar rätt spänning. Anslutning till ett uttag som levererar fel spänning skulle kunna orsaka brand eller elektrisk chock. Håll stickkontakten när du ansluter den till ett eluttag eller drar ut den. Dra eller ryck aldrig i nätsladden. Koppla från nätsladden från uttaget om du inte skall använda enheten över en längre tidsperiod.**

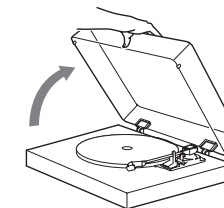
Grundläggande användning

Spela upp skivor

- 1 Tryck på STANDBY/ON-knappen på baksidan av enheten för att sätta på den.

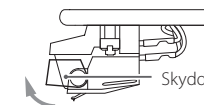


- 2 Öppna försiktigt skivspelarens lock.



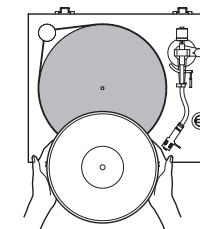
- ⚠ Var försiktig att du inte klämmer din hand när du t. ex. öppnar och stänger skivspelarens lock.**

- 3 Lyft patronskyddet.



- 4 Lägg en skiva på skivspelaren.

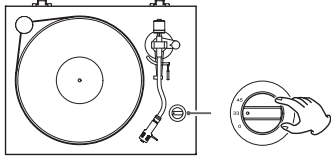
När du spelar 45 RPM enskilda skivor med stora hål, använd den medföljande adaptern.



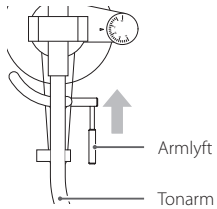
Fortsättning på nästa sida →

5 Ställ in RPM enligt skivan och starta skivspelaren.

Rotationshastigheten kan ställas in på 33 1/3 eller 45 RPM.

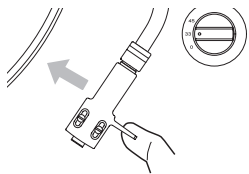


6 Lyft armlyften.



- Du kan också flytta tonarmen till ovanför skivan utan att lyfta armlyften och sedan långsamt sänka tonarmen för att starta uppspelningen.

7 Flytta tonarmen till skivans kant eller spåret där du vill starta uppspelningen.



8 Sänk tonarmen.

Sänk tonarmen långsamt till stylusen rör vid skivan och uppspelningen börjar.

- Vi rekommenderar att du stänger locket till skivspelaren medan du spelar upp skivan för att undvika damm.

⚠ Placera inte något på skivspelarens lock.

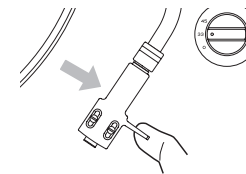
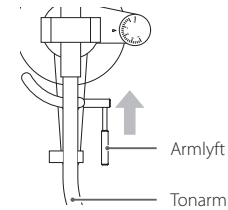
VIKTIG ANMÄRKNING

- Medan uppspelning, rör inte vid tonarmen eller den roterande skivan.
- Stoppa inte skivspelarens rotation medan uppspelning.

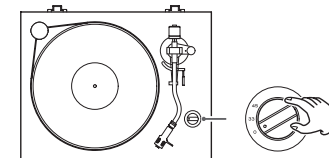
Medan skivan spelas upp, kan det komma till återkoppling, om volymen är för hög. Om detta händer, sänk förstärkarens volymen.

När uppspelningen avslutas

1 Lyft armlyften för att ta bort nålen från skivan och sätt tillbaka tonarmen till dess ursprungliga position.



2 Vrid med ratten för rotationshastighet till 0 för att stoppa skivspelaren.



Anslut skivspelaren till en dator med en kommersiellt tillgänglig USB-kabel för att konvertera ljudsignaler från skivan till digital data och skicka dem till datorn.

Operativsystem som stöds

Datorer som kör med de följande operativsystem kan anslutas med USB till denna enhet (sedan november 2015).

Windows

- Windows 7 (32 bitars, 64 bitars)
- Windows 8 (32 bitars, 64 bitars)
- Windows 8.1 (32 bitars, 64 bitars)
- Windows 10 (32 bitars, 64 bitars)

Mac OS X

- OS X Lion 10.7
- OS X Mountain Lion 10.8
- OS X Mavericks 10.9
- OS X Yosemite 10.10
- OS X El Capitan 10.11

Användning med andra operativsystem än de ovan garanteras inte.

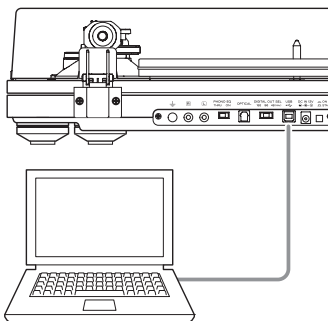
- Denna enhet kommer att köras med standard OS-drivrutin, så det finns ingen anledning att installera en speciell drivrutin.

Ansluta till datorn

1 Sätt på datorn.

Kontrollera att operativsystemet fungerar korrekt.

2 Använd USB-kabeln för att ansluta datorn till denna enhet.



- Använd en separat inköpt USB-kabel med ferritkärna när du ansluter enheten till en dator.

3 Tryck på enhetens STANDBY/ON-knapp för att slå på den.

När de är anslutna, kommer datorn att automatiskt identifiera enhetens USB-port och identifiera den som "USB Audio CODEC".

- För att spela in ljud från skivspelaren med en dator, måste du först installera programvaran som kan användas för ljudinspelning på datorn.
Du kan köpa programvaran för ljudinspelning som du föredrar separat eller ladda ned en gratis programvara som Audacity ([http:// audacity.sourceforge.net/](http://audacity.sourceforge.net/)) från Internet.
Som gratis programvara, stöds Audacity inte av TEAC.
- Vid anslutning till en dator med USB och när du spelar in ljud, gör inget av det följande. Det kan få datorn att sluta fungera. Stäng alltid datorn programvara för inspelning innan du gör följande.
•Koppla bort USB-kabeln.
•Sätt enheten i vänteläge.

Datorinställningar

Följande exempel förklarar inställningar som skall göras med Windows 7.

1 Från Startmenyn, välj Kontrollpanel.

2 Klicka på "Ljud".

3 Klicka på fliken "Inspelning" och kontrollera att "USB Audio CODEC" är inställd som "Standardenhet".

4 Välj "Microphone USB Audio CODEC" och klicka på knappen "Egenskaper".

5 Klicka på fliken "Avancerad".

6 Från listmenyn "Standardformat", välj önskad inspelningskvaliteten (format).

TIPS

"2 kanal, 16 bit, 48 000 Hz (DVD-kvalitet)" ger hög ljudkvalitet men också kräver mer utrymme. Inspelning med en lägre samplingsfrekvens minskar ljudkvaliteten men använder också mindre utrymme.

7 Klicka "OK".

Felsökning

Om du får problem med enheten, kontrollera följande innan du begär service. Något annat än denna enhet kan också orsaka problemet. Vänligen kontrollera att de anslutna apparat också används korrekt.

Om denna enhet fortfarande inte fungerar korrekt, kontakta återförsäljaren, där du köpte enheten.

Allmänt

- ➔ Bekräfta att nätdaptern är ansluten till uttaget. Tryck sedan på STANDBY/ON-knappen för att slå på enheten (sida 69).

Volymen är låg.

- ➔ När du ansluter denna enhetens analoga ljudutgångskontakter till ljudingångskontakter på en förstärkare eller annan utrustning, ställ PHONO EQ-brytaren (inställning för ljudutmatning) till ON (sida 69).

- ➔ När du inte använder enhetens phono-frekvenskorrigeringsförstärkare, ställ in PHONO EQ-brytaren (inställning för ljudutmatning) till THRU och anslut de analoga ljudutgångskontakterna (L/R) till PHONO-ingångskontakten på en förstärkare eller annan utrustning.

När du använder den medföljande patronen (lika som MM), anslut dem till PHONO-ingångskontakterna som är kompatibla med MM-inmatningstypen.

När du använder en MC-patron, ställ in PHONO EQ-brytaren (inställning för ljudutmatning) till THRU och anslut dem till PHONO-ingångskontakterna som är kompatibla med MC-inmatningstypen på förstärkaren eller annan utrustning. PHONO-ingångskontakter på viss utrustning kan ställas in för användning med antingen MM- eller MC-inmatningstyp. För detaljer, se användarhandboken för enheten som du använder.

Uppspelning är inte möjlig; det finns buller.

- ➔ Lyft skyddet (sida 69).
- ➔ Rengör stylusen (sida 65).
- ➔ Om stylusen är sliten, byt ut den (sida 65). Nålens livslängd beror på användningsvillkor, men är vanligtvis runt 300 timmar.
- ➔ Placera enheten så lång borta från teven, mikron och andra apparat som utstrålar elektromagnetiska vågor som det går.

Det uppstår buller när en skiva spelas.

- ➔ Det kan uppstå buller om stylusstrycket är högre än patronens specificerade värde. Justera stylusstrycket igen till det specificerade värdet (sida 66).

Tonhöjden är fel.

- ➔ Ställ in rotationshastigheten (RPM), så att den passar skivan (sida 69).

Ljudet hoppar.

- ➔ Vibrationer kan orsaka hoppande. Placera denna enhet på en stabil plats.
- ➔ Om skivan är smutsig, torka av den rent.
- ➔ Använd inte repiga skivor.
- ➔ Balansera ut tonarmen och justera om stylusstrycket (sida 66).
Om stylusstrycket är lägre än värdet avsedd för patronen, kommer skivan mer sannolikt att hoppa.

Specifikationer

Skivspelare

Drivrutinsystem
Remdrift med hög precision (identifikation för rotation)
Motor..... DC-motor
Rotationshastighet..... 33 1/3 rpm, 45 rpm
Precision av rotationsdetektering..... ±0,05 % (33 1/3 rpm)
Svaj..... 0,1 %
Signal-till-brus-förhållande
67 dB(A) eller högre (A-vikt, 20 kHz LPF)
Skivspelare..... Akryl, 30 cm diameter
Sockel..... Konstgjord marmor och trä

Tonarm

Armtyper..... Statiskt balanserad S-formad tonarm
Effektiv armlängd..... 223 mm
Variationsintervall av stylstrycket..... 0–5 g
Lämplig patronvikt..... 15–23 g
(inklusive headshell)
Överhäng..... 18 mm
Spårningsfel..... 3° eller mindre
Justeringsintervall av armhöjden..... ca 6 mm

Patron

Typ..... VM (ekvivalent med MM)
Utmatningsspänning..... 4,5 mV (1 kHz, 5 cm/s)
Stylstryck..... 1,4 ± 0,4 g
Patronvikt..... 6,5 ± 0,2 g
Vikt av inkluderad headshell
10 g (inklusive skruvar, muttrar och kablar)

- Nålens livslängd beror på användarvillkor, men är vanligtvis runt 300 timmar.
- Patronen som finns installerad i denna enhet är den samma som Audio-Technica AT100E VM-patroner. (Ersättningsnålen för den installerade patronen är grön. Den har inte ett Audio-Technica-märke.)
Anmärkning: VM-patroner har samma karakteristik som MM-patroner.

Utmatningsspänning

PHONO EQ THRU..... 4,5 mV ±3 dB
PHONO EQ ON..... 230 mV (–13 dBV)
Utgångskontakter..... RCA

USB-port

Kompatibel som standard med USB 2.0 (full hastighet)
USB-kontakt typ B
Stöds strömförsörjning via USB-bussen..... 5 V, 500 mA

- Använd en separat inköpt USB-kabel för att ansluta enheten till en dator för att motta ström från den.

Samplingsfrekvens
8 kHz, 11,025 kHz, 16 kHz, 22,05 kHz, 32 kHz, 44,1 kHz, 48 kHz
Kvantisering bitdjup..... 16 bitars

Optisk digital ljudutgång (OPTICAL)

Utgång..... –21,0 till –15,0 dBm
Samplingsfrekvens..... 48 kHz, 96 kHz, 192 kHz
Kvantisering bitdjup..... 24 bitars

Allmänt

Ström från nätadaptern
Ingång..... AC 100–240 V, 50–60 Hz
Utgång..... 12 V, 500 mA
Strömförbrukning
Viloläge..... 0,2 W eller mindre
On
0..... 2,3 W eller mindre
33..... 3 W eller mindre
45..... 3,25 W eller mindre
Vikt..... 9 kg
Intervall för drifttemperatur..... 5–35 °C
Mått (B × H × D, inklusive utskjutande delar)
420 mm × 131,5 mm × 355 mm

- Prestandadata är specificerade vid 20 °C.

Medföljande tillbehör

Skivmatta × 1
45 RPM-adaptör × 1
Motvikt × 1
Headshell × 1
Förinstallerad Audio-Technica VM-stereopatron
(dubbel magnet, ekvivalent med AT100E)
Skivspelare × 1
Remskivskydd × 1
Brickor × 4
Insexnyckel × 1
RCA-ljudkabel med jordterminal × 1
Nätadapter (GPE053A-V120050-Z) × 1
Bruksanvisning (detta dokument inklusive garanti) × 1

- Specifikationer och utseende kan ändras utan föregående meddelande.
- Vikt och mått är ungefärliga.
- Illustrationer i denna bruksanvisning kan skilja sig något från produktionsmodellerna.

Warranty provisions (United States and Canada only)

Length of Warranty

The parts and labor warranty will be effective for one (1) year from the date of the original purchase for products not used for commercial purposes. For products used commercially, the warranty is ninety (90) days for magnetic heads and optical pickups, one (1) year for all other parts and ninety (90) days for labor.

Who Is Covered Under This Warranty

This warranty is valid only in the United States or Canada, dependent upon the country in which original purchase was made, and enforceable only by the original purchaser within the country in which the purchase was made.

This warranty is not valid if the product was purchased through an unauthorized dealer.

What Is Not Covered Under This Warranty

- Damage to or deterioration of the external cabinet.
- Damage resulting from accident, misuse, abuse, or neglect.
- Damage resulting from failure to follow instructions contained in the products owners' manual or otherwise provided with the product.
- Damage occurring during shipment of the product (Claims must be presented to the carrier).
- Damage resulting from the repair or attempted repair by anyone other than TEAC or an authorized TEAC.
- Damage resulting from modification or attempted modification of product not authorized by TEAC.
- Damage resulting from causes other than product defects, including lack of technical skills, competence, or experience of the user.
- Damage to any unit that has been altered or which the serial number has been defaced, modified or removed.

What TEAC Will Pay For

TEAC will pay all labor and material expenses for items covered by the warranty. Payment of shipping charges is covered in the next section.

How To Obtain Warranty Service

Your unit must be serviced by an authorized TEAC service station within the country in which the product was purchased. If you are unable to locate an authorized service station in your area, please contact TEAC at the applicable address shown at the end of this warranty statement. PLEASE DO NOT RETURN YOUR UNIT TO TEAC WITHOUT OUR PRIOR AUTHORIZATION. You must pay shipping charges if it is necessary to ship the product for service. However, if the necessary repairs are covered by warranty, we will pay the return shipping charges to any destination within the country in which the product was purchased. Whenever warranty service is required, you must present the original dated sales receipt, or other proof indicating the purchase place and date, as proof of warranty coverage.

LIMITATION OF IMPLIED WARRANTIES

ALL IMPLIED WARRANTIES, INCLUDING WARRANTIES OF MERCHANTABILITY AND FITNESS FOR A PARTICULAR PURPOSE, ARE LIMITED IN DURATION TO THE LENGTH OF THIS WARRANTY.

EXCLUSION OF DAMAGES

TEAC'S LIABILITY FOR ANY DEFECTIVE PRODUCT IS LIMITED TO REPAIR OR REPLACEMENT OF THE PRODUCT, AT TEAC'S OPTION. TEAC SHALL NOT BE LIABLE FOR DAMAGE BASED UPON INCONVENIENCE, LOSS OF USE OF THE PRODUCT, INTERRUPTED OPERATION, COMMERCIAL LOSS OR LOST PROFITS, OR ANY OTHER DAMAGES, WHETHER INCIDENTAL, CONSEQUENTIAL, PUNITIVE OR OTHERWISE.

SOME STATES OR PROVINCES DO NOT ALLOW LIMITATIONS ON HOW LONG AN IMPLIED WARRANTY LASTS AND/OR DO NOT ALLOW THE EXCLUSION OR LIMITATION OF INCIDENTAL OR CONSEQUENTIAL DAMAGES, SO THE ABOVE LIMITATIONS AND EXCLUSIONS MAY NOT APPLY TO YOU.

THIS WARRANTY GIVES YOU SPECIFIC RIGHTS, AND MAY VARY FROM SOME OF THE RIGHTS PROVIDED BY LAW. THESE RIGHTS MAY VARY FROM STATE TO STATE OR PROVINCE TO PROVINCE.

Conditions de garantie (États-Unis et Canada uniquement)

Durée de la garantie

La garantie pièces et main d'œuvre sera valable un (1) an à compter de la date d'achat initial des produits non utilisés dans un but commercial. Pour les produits à utilisation commerciale, la garantie des têtes magnétiques et capteurs optiques est de quatre-vingt dix (90) jours, elle est d'un (1) an pour les autres pièces et quatre-vingt dix (90) jours pour la main d'œuvre.

Bénéficiaire de la garantie

Cette garantie n'est valable qu'aux États-Unis et au Canada, selon le pays d'achat initial, et ne s'applique qu'à l'acquéreur initial dans le pays d'achat.

Cette garantie n'est pas valable si le produit a été acheté auprès d'un revendeur non autorisé.

Ce qui n'est pas couvert par cette garantie

- Les dommages ou détériorations du boîtier externe.
- Les dommages résultant d'un accident, d'une mauvaise utilisation, d'un abus ou d'une négligence.
- Les dommages résultant du non-respect des instructions contenues dans le mode d'emploi du produit ou fournies avec le produit.
- Les dommages survenus durant le transport du produit (les réclamations doivent être adressées au transporteur).
- Les dommages résultant d'une réparation ou tentative de réparation effectuée par toute personne extérieure au service après-vente TEAC ou agréé par TEAC.
- Les dommages résultant d'une modification ou tentative de modification de produit non autorisée par TEAC.
- Les dommages résultant de causes autres que des défauts de produit, y compris le manque d'aptitude technique, de compétence ou d'expérience de l'utilisateur.
- Les dommages de toute unité ayant été modifiée ou dont le numéro de série a été effacé, modifié ou retiré.

Frais pris en charge par TEAC

TEAC prendra en charge tous les frais de pièces et main d'œuvre pour les articles couverts par la garantie. Les frais d'expédition sont évoqués dans la section suivante.

Comment obtenir une intervention sous garantie

Votre unité doit être réparée par un service après-vente agréé par TEAC dans le pays d'achat du produit. Si vous ne trouvez pas de service après-vente agréé dans votre région, veuillez contacter TEAC à l'adresse appropriée donnée à la fin de cette garantie. VEUILLEZ NE PAS RENVoyer VOTRE UNITÉ CHEZ TEAC SANS NOTRE AUTORISATION PRÉALABLE. Si le produit doit être renvoyé pour réparation, les frais d'expédition sont à votre charge. Toutefois, si les réparations nécessaires sont couvertes par la garantie, nous prendrons à notre charge les frais de retour vers toute destination dans le pays d'achat du produit. Lorsqu'une réparation sous garantie est requise, vous devez présenter comme preuve de couverture par la garantie la facture d'achat originale datée ou une autre preuve d'achat mentionnant le lieu et la date d'achat.

LIMITATION DES GARANTIES IMPLICITES

TOUTES LES GARANTIES IMPLICITES, Y COMPRIS LES GARANTIES DE QUALITÉ MARCHANDE ET D'ADÉQUATION À UN USAGE PARTICULIER, SONT LIMITÉES À LA DURÉE DE CETTE GARANTIE.

EXCLUSION DE DOMMAGES

LA RESPONSABILITÉ DE TEAC VIS-À-VIS DE TOUT PRODUIT DÉFECTUEUX EST LIMITÉE À LA RÉPARATION OU AU REMPLACEMENT DU PRODUIT, AU GRÉ DE TEAC. TEAC NE POURRA ÊTRE TENU POUR RESPONSABLE DE QUELCONQUES DOMMAGES SE RAPPORTANT AU DÉRANGEMENT, À LA PERTE D'USAGE DU PRODUIT, À L'INTERRUPTION DE L'UTILISATION, AUX PERTES COMMERCIALES OU DE PROFITS, NI D'AUCUN AUTRE DOMMAGE, QU'IL SOIT ACCESSOIRE, INDIRECT, PUNITIF OU AUTRE.

CERTAINS ÉTATS OU PROVINCES N'AUTORISENT PAS DE LIMITATIONS DE DURÉE D'UNE GARANTIE IMPLICITE ET/OU N'AUTORISENT PAS L'EXCLUSION OU LA LIMITATION DES DOMMAGES ACCESSOIRES OU INDIRECTS, AUQUEL CAS LES LIMITATIONS ET EXCLUSIONS CI-DESSUS PEUVENT NE PAS VOUS ÊTRE APPLICABLES.

CETTE GARANTIE VOUS DONNE DES DROITS SPÉCIFIQUES QUI PEUVENT ÊTRE DIFFÉRENTS DE CERTAINS DROITS OCTROYÉS PAR LA LOI. CES DROITS PEUVENT VARIER D'UN ÉTAT À L'AUTRE OU D'UNE PROVINCE À L'AUTRE.

Europe/Europa

This product is subject to the legal warranty regulations of the country of purchase. In case of a defect or a problem, please contact the dealer where you bought the product.

Ce produit est sujet aux réglementations concernant la garantie légale dans le pays d'achat. En cas de défaut ou de problème, veuillez contacter le revendeur chez qui vous avez acheté le produit.

Las condiciones de garantía de este aparato están sujetas a las disposiciones legales sobre garantía del país en el que ha sido adquirido. En caso de garantía, debe dirigirse al establecimiento donde adquirió el aparato.

Dieses Gerät unterliegt den gesetzlichen Gewährleistungsbestimmungen des Landes, in dem es erworben wurde. Bitte wenden Sie sich im Gewährleistungsfall an den Händler, bei dem sie das Gerät erworben haben.

Questo apparecchio è conforme alle norme sulla garanzia vigenti nel rispettivo Paese in cui esso è stato acquistato. Si prega di rivolgersi al proprio commerciante, presso il quale è stato acquistato l'apparecchio, nel caso in cui si voglia richiedere una prestazione in garanzia.

Dit product valt onder de wettelijke garantievoorschriften van het land waar het is aangeschaft. Neem bij een defect of probleem contact op met de leverancier waar u het product heeft gekocht.

För denna produkt gäller det lagliga garantireglerna av landet där köpet gjordes. Vid fel eller problem kontakta vänligen återförsäljaren, där du köpte produkten.

In countries/regions other than the USA, Canada and Europe

This warranty gives you specific legal rights, and you may also have other rights that vary by country, state or province.

If you have a warranty claim or request, please contact the dealer where you bought the product.

该保证书赋予了顾客特定的合法权利，并且因国家，州或省等地域的不同，顾客可能拥有其他权利。如需申请或要求保修，请与购买本产品的销售店进行联系。

WARRANTY/GARANTIE (United States and Canada only/États-Unis et Canada uniquement)

Model/Modèle: **TN-570**

Serial No./N° de série

Owner's address/Adresse du propriétaire

Date of purchase/Date de

Dealer's name/Nom du détaillant

Owner's name/Nom du propriétaire

Dealer's address/Adresse du détaillant



TEAC

TEAC CORPORATION 1-47 Ochiai, Tama-shi, Tokyo 206-8530, Japan Phone: +81-42-356-9156

TEAC AMERICA, INC. 1834 Gage Road, Montebello, California 90640 U.S.A. Phone: +1-323-726-0303

TEAC AUDIO EUROPE Gutenbergstr. 3, 82178 Puchheim, Germany Phone: +49-8142-4208-141

This device has a serial number located on its back panel. Please record the serial number and retain it for your records.

Model name: TN-570 Serial number

0516 MA-2237C