

BRYSTON

10B-LR
10B-STD
10B-SUB
OWNER'S MANUAL

INTRODUCTION:

The 10B crossover is available in three stock versions; 10B-SUB incorporating frequencies more suitable to sub-woofer applications (40Hz to 500hz), 10B-STD which is more applicable to speakers requiring frequency control in the mid-band and tweeter areas (70Hz to 4500Hz) and the 10B-LR, which uses plug in resistor programming cards to set the crossover frequency. Both the 10B-SUB and 10B-STD crossovers include a mode called Mono Low Pass (see below) which replaces the Two Way Mono (Linkwitz-Riley) mode in older model 10B's. The Two Way Mono mode (see below) is retained in the 10B-LR allowing for very steep (non Linkwitz-Riley) 8th order filters.

MONO LOW PASS MODE (10B-SUB AND 10B-STD ONLY):

The 10B-STD and 10B-SUB crossovers generate a summed low pass output signal by first summing or adding together the left channel and right channel input signals to form a left plus right (L+R) signal. If the MODE switch (located on the rear panel) is in the Mono Low Pass position then this L+R signal is fed into both of the low pass filter sections (Left and Right) available in the 10B. As a result, the common low pass output can be taken from either of the two low pass (LP) outputs; either left LP out or right LP out. These outputs are designated as Left and Right for convenience only. If the low pass output used is the one designated as the left channel, then the crossover frequency and slope (or filter order) switches on the left side of the unit's front panel (as viewed from the front) will control the low pass filter parameters. Likewise, if the right channel low pass output is used, then the right channel switches will control its filter parameters. There is no interaction between the two sets of controls. If one of the two low pass filters is not used, then settings of its crossover frequency and slope switches are irrelevant and will have no affect on the performance of the other filter sections of the crossover. The two high pass filter sections (left and right) operate independently in Mono low Pass mode.

N.B. On some newer models the *Mode* slide switch has a recessed actuator to eliminate the possibility of accidentally changing the mode while rearranging cables at the rear of the crossover. The recessed actuator has a recess in it to allow moving it with a small screwdriver or plastic stylus.

STEREO MODE:

As in the older versions of the 10B, the stereo mode provides two, two way crossovers wherein the left input is fed into a separate low pass filter and a separate high pass filter, both of which are independently adjustable from the front panel controls. Likewise, the right input signal is fed into a separate low pass filter and a separate high pass filter, both of which are independently adjustable from the front panel controls. All four filters have separate output connectors on the rear panel. There is no interaction whatsoever between left and right channels or between low pass and high pass filters.

THREE WAY MONO MODE (10B-LR ONLY) :

Available only in the 10B-LR (Linkwitz-Riley filters), this mode is the same as in the older model 10B. The four filter sections (two low pass and two high pass) of the 10B are combined to form a single channel three way crossover providing one low pass, one mid or band pass and one high pass filter. The mid (or band pass) filter is formed by combining the left channel high pass and the right channel low pass filters into a single filter wherein the lower end of the pass band is determined by the left channel high pass controls and the upper end of the pass band is determined by the right channel low pass controls

Only the LEFT channel input is used in Three Way Mono mode. The left channel low pass output provides the low pass output. The mid or band pass output is taken from the right channel low pass output connector and the high pass is taken from the right channel high pass connector. All filter slopes are 24dB per octave, Linkwitz-Riley alignment.

PROGRAMMING THE 10B-LR CROSSOVER:

The crossover points in the 10B-LR are set by inserting small programming boards (4 per channel) each containing 2 resistors. See illustration "10B LINKWITZ-RILEY STEREO CROSSOVER" and on page 7 and document "10B-FREQ-RES-TABLES.doc"

POWER AMPLIFIERS:

When power amplifiers of different power capabilities are used, the woofers will likely be driven by the most powerful amplifier and the tweeters by the least powerful amplifier since the woofers can generally be expected to be less efficient. When power amplifiers of equivalent power capabilities are used in a bi-amped system, and when the power amps employ totally separate power supplies for each channel (as all Bryston power amplifiers do) it is desirable to place each power amplifier as close to its speaker as possible and use one channel to drive the woofer and the other to drive the tweeter. Please note that if the power amps being used do not employ totally separate power supplies for each channel, some envelope distortion between channels may occur since the power drawn from the low frequency channel driving the woofer will usually be considerably greater than from the higher frequency channel driving the tweeter.

POWER AMPLIFIER PLACEMENT:

Where there is a considerable distance between the audio signal source and the speakers, it is preferable to reduce the distance between the power amplifiers and the speakers at the expense of increasing the distance between preamp and crossover or crossover and power amplifier. The low impedance across the speaker lines is more likely to affect signal quality with distance than is the higher impedance across the preamp to crossover, or crossover to power amplifier cables.

BALANCED VERSUS UNBALANCED CABLING:

If the distance between the power amplifier and crossover or crossover and preamplifier is greater than 30 feet, it may be desirable to use balanced cables to interconnect the two distant pieces of equipment as this may reduce noise pickup. To facilitate this, the 10B crossover is available with balanced inputs and outputs (PRO versions) using 3 pin XLR connectors (outputs use male connectors, inputs use female connectors). Pin 3 is the positive (non-inverted or Hot) signal, pin 2 is the negative (inverted or neutral) signal and pin 1 is ground.

Where a long run of balanced cable is used to interconnect the preamplifier to the crossover, and the crossover is placed within a few feet of the power amplifier there is no advantage in using a balanced interconnection between the crossover and power amplifier. Balanced cabling does not reduce noise; it merely reduces the ability of the cable to pickup noise. The balanced output of a 10B Pro crossover can easily be used as an unbalanced output by using XLR pin 3 (positive) as the HOT line and XLR pin 1 as the ground line.

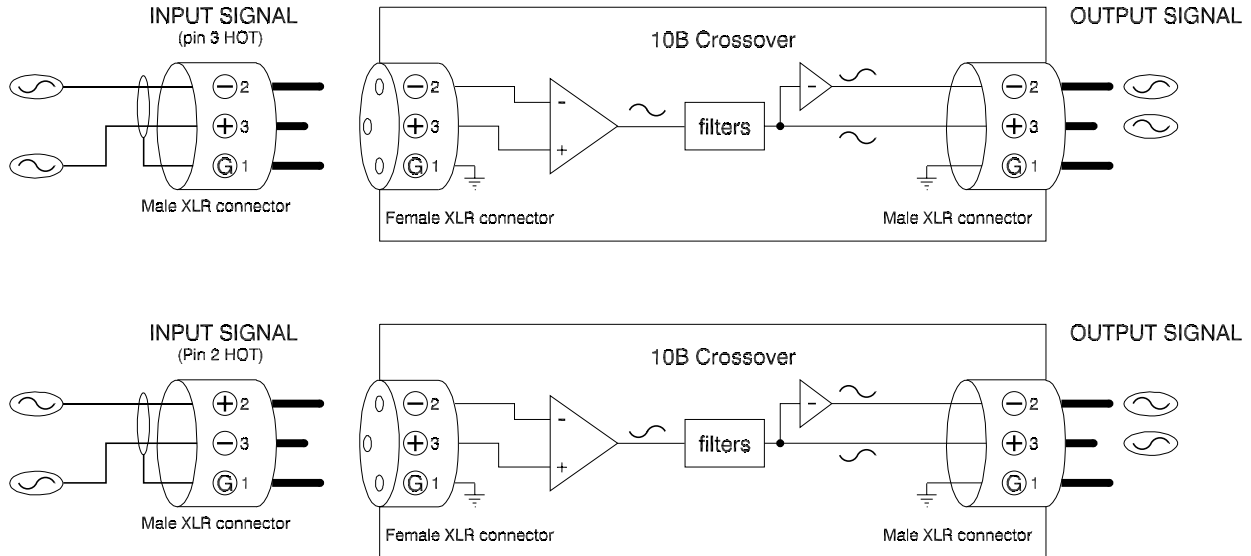
Since there is no phase inversion in the 10B, the negative XLR output pins (#2) can be used in the same way to achieve the same effect and the output will remain un-inverted with respect to the input. In other words, any signal that enters the negative XLR input pin (#2) will exit the negative XLR output pin (#2) un-inverted with respect to the input. Similarly any signal that enters the positive XLR input pin (#3) will exit the positive XLR output pin (#3) un-inverted with respect to the input. It is for this reason that the 10B has not been changed to comply with the AES adopted XLR pin configuration for balanced signals (pin 3 negative, pin 2 positive and pin 1 ground) and retains its original XLR pin-out of pin 3 positive, pin 2 negative and pin 1 as ground.

Note, however, that Bryston's current production power amplifiers do follow the AES convention. As the above illustrations indicate, however, the 10B PRO models do not introduce any phase inversion and thus can be used with either pin 2 hot or pin 3 hot balanced cable systems without changing the phase relationships of the system.

CABLES:

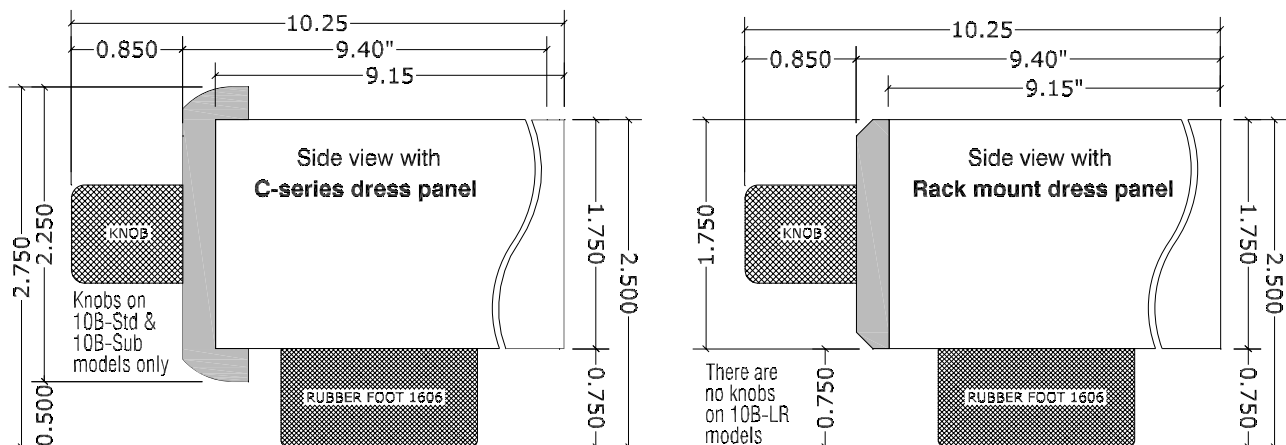
Bryston supplies a variety of stock audio interface cables and will supply reasonably priced semi-custom cables upon request. Bryston's balanced cables employ double insulated, 100% shielded twisted pair cable with 24g stranded, tinned copper conductors and locking XLR connectors with metal shells and gold plated contacts. Unbalanced cables use single conductor shielded co-axial cable with gold plated male phono (RCA) plugs in metal shells.

The polarity of the input signal will be maintained at the 10B's output.



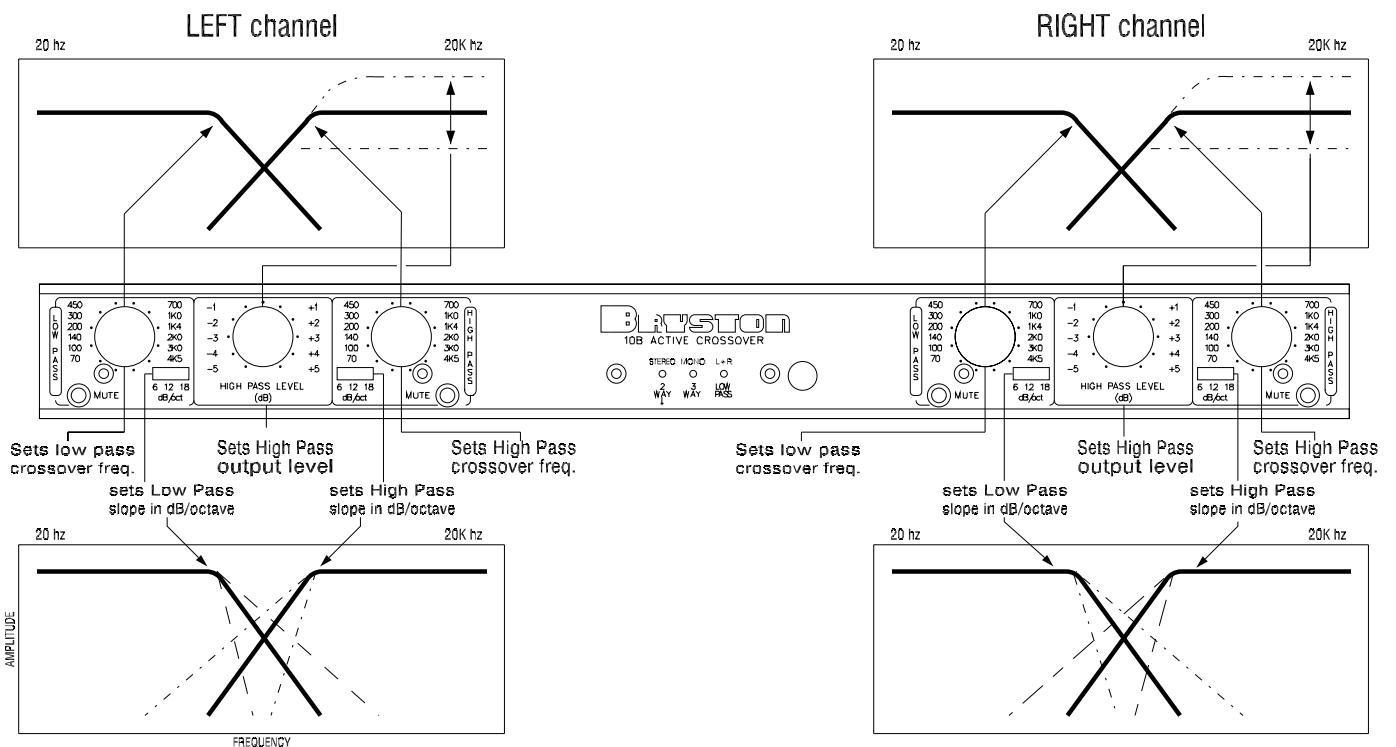
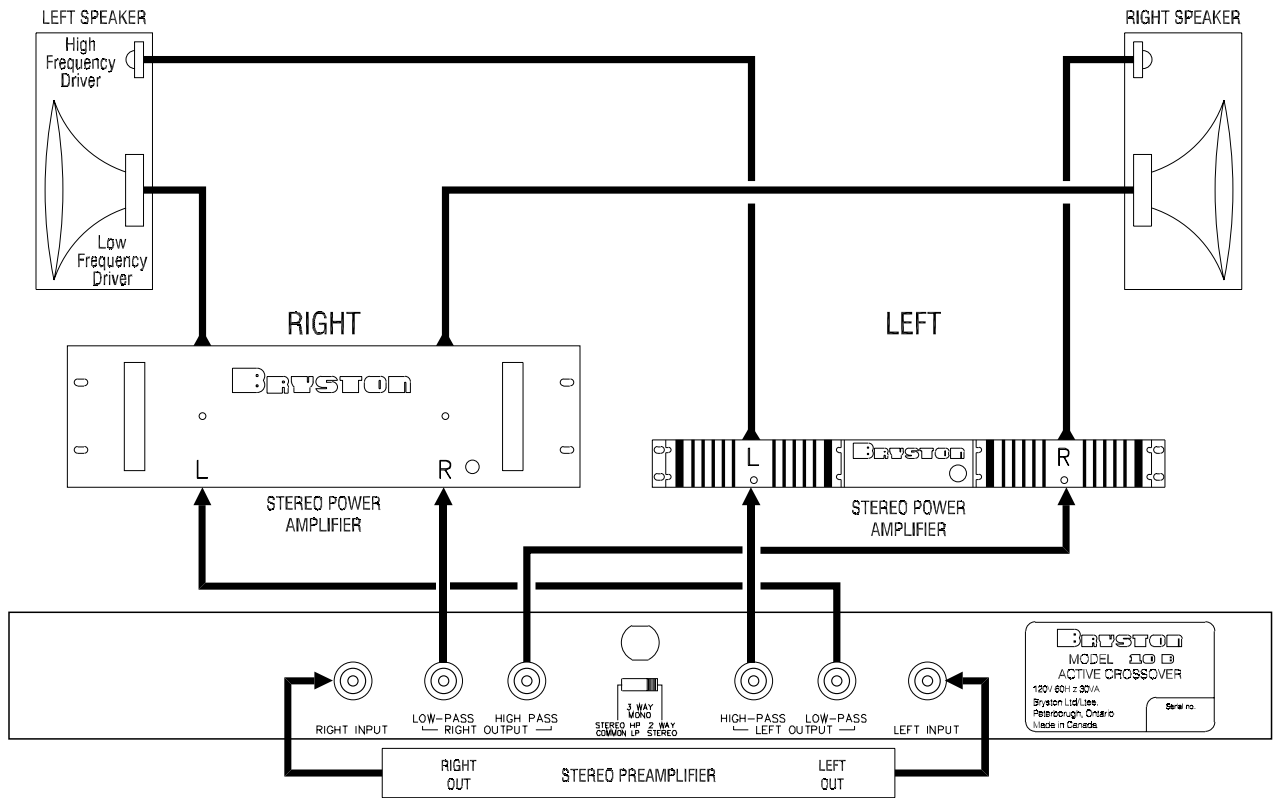
SPECIFICATIONS:

Power consumption:	11 Watts (avg)
THD+N:	< 0.0035%
Noise:	> -100 dB unweighted
$V_{OUT\ max}$:	13 Vrms minimum un-balanced 26 Vrms minimum balanced
Gain:	unity, except for high pass which can be adjusted ± 5 dB relative to unity
Fuse:	One tubular glass fuse (1.25" X .25") located on Power Supply PCB Disconnect unit from main power supply before servicing. For 100-120 Vac units : MDL 1/4 A (T 250 mA 250 V) For 200-240 Vac units: 3AG 15/100A (T 150 mA 250 V)
Shipping weight:	15 Lbs (6.8 Kg)
External dimensions:	Regular models: 17" wide X 2.75" high X 9.40" deep Rack mount models: 19" wide X 2.50" high X 9.40" deep (see below for more details)



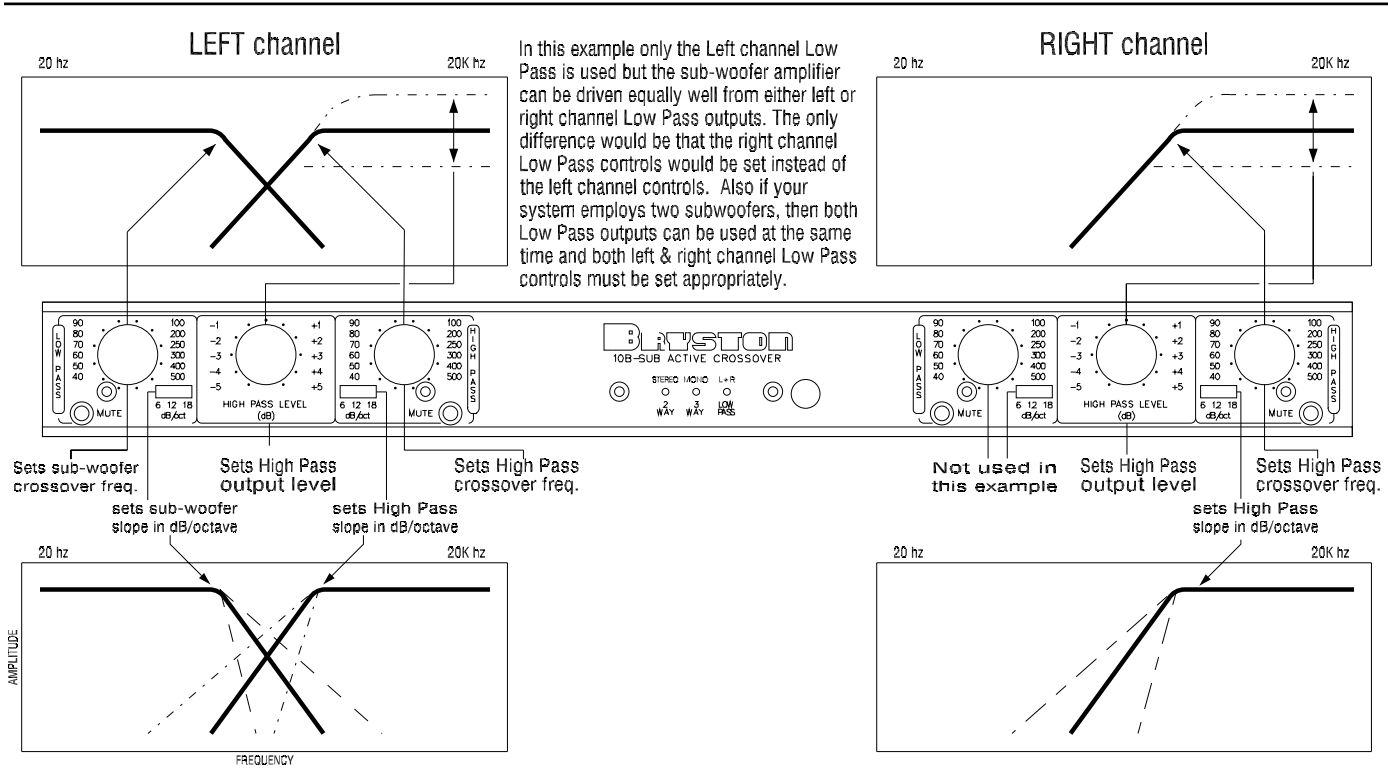
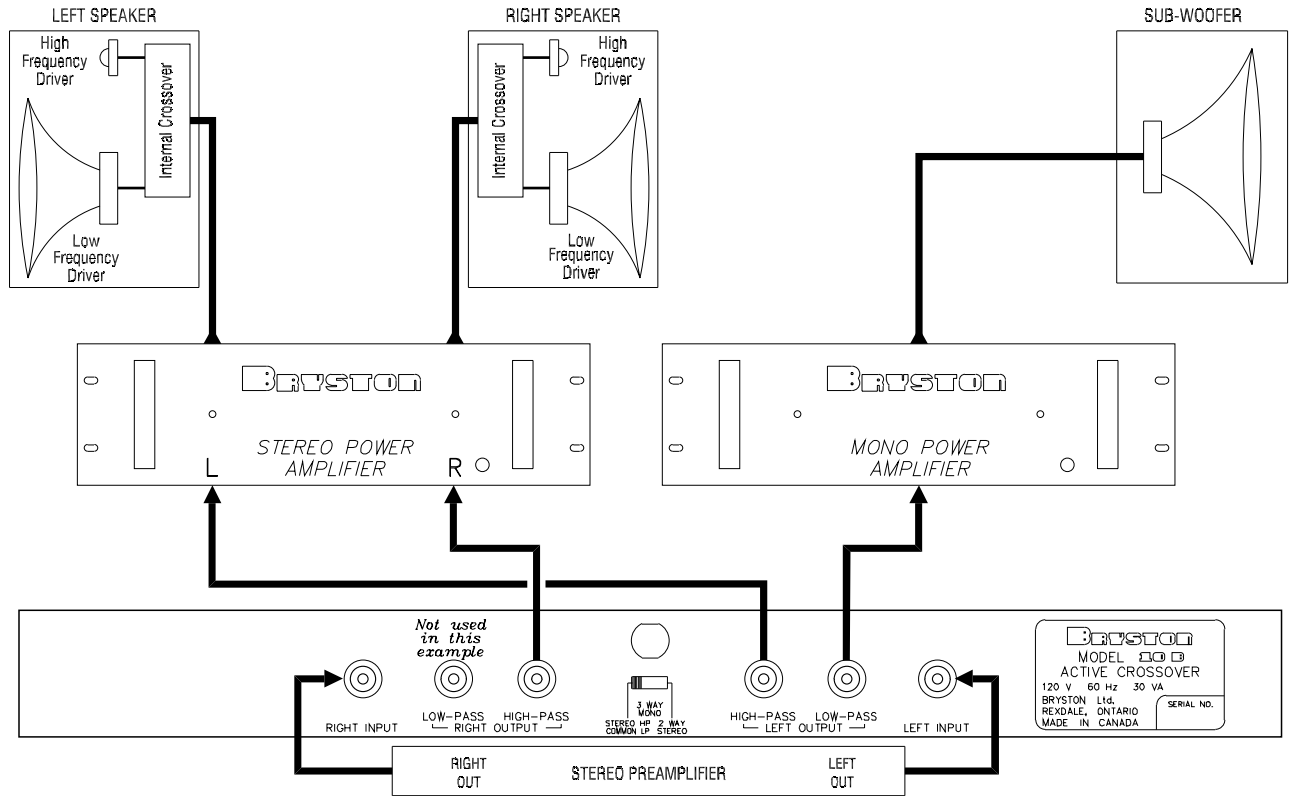
BRVSTON 10B CROSSOVER

HOOKUP EXAMPLE for TWO WAY STEREO MODE



BRYSTON 10B CROSSOVER

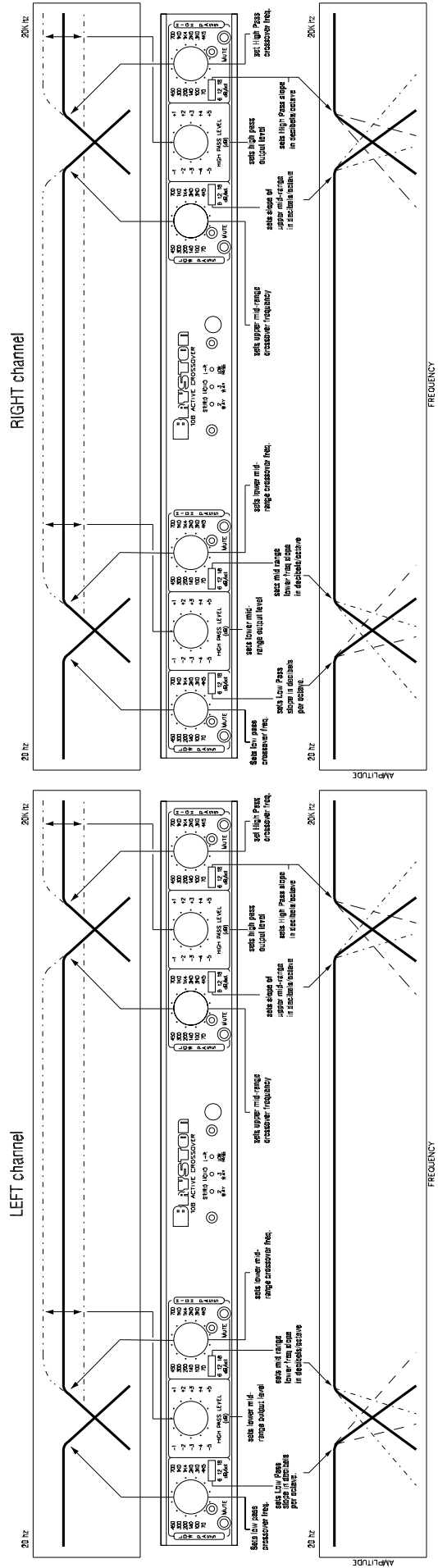
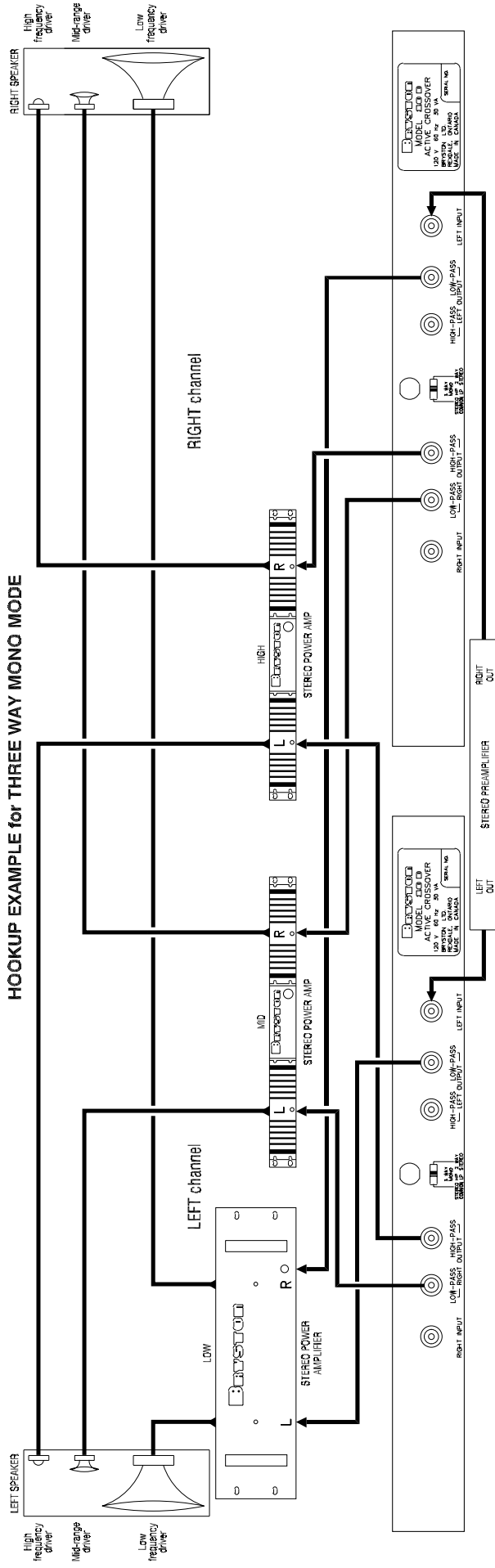
HOOKUP EXAMPLE for using a COMMON (L+R) SUB-WOOFER



BRISTON

10B CROSSOVER

HOOKEUP EXAMPLE FOR THREE WAY MONO MODE



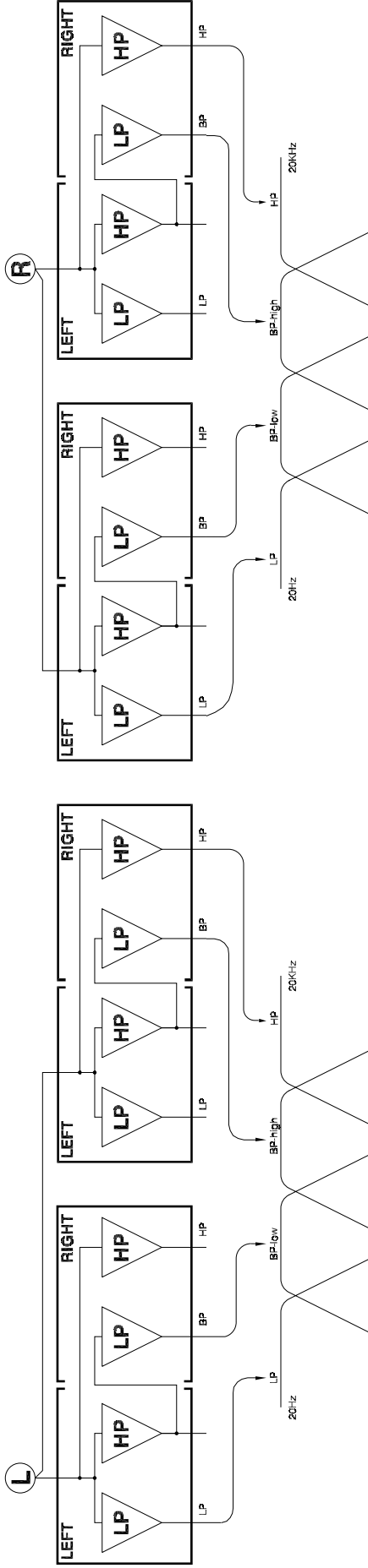
CONNECTING 10B CROSSOVERS IN A STEREO 4-WAY CONFIGURATION

CROSSOVER #1
10B-LR, 10B-STD or 10B-SUB
3-Way Mono mode

CROSSOVER #2
10B-LR, 10B-STD or 10B-SUB
3-Way Mono mode

CROSSOVER #3
10B-LR, 10B-STD or 10B-SUB
3-Way Mono mode

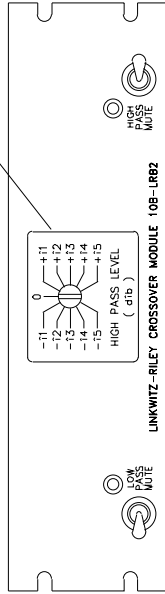
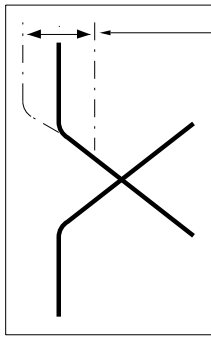
CROSSOVER #4
10B-LR, 10B-STD or 10B-SUB
3-Way Mono mode



BRISTON

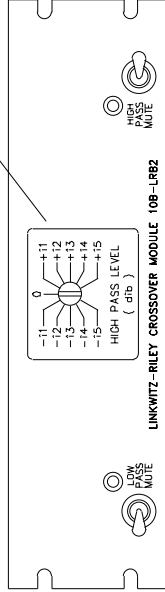
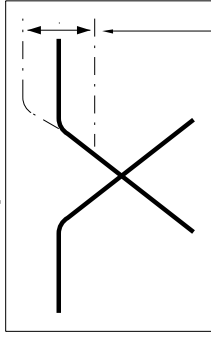
10B-LR PROGRAMMABLE LINKWITZ-RILEY STEREO CROSSOVER

20 hz Left Channel 20K hz

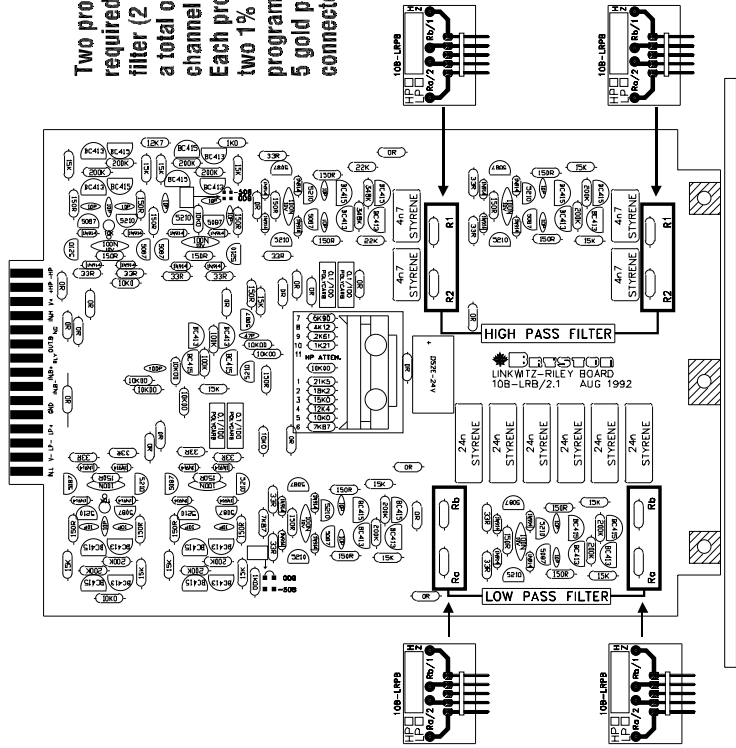


Crossover modules slide out from the front of the chassis to allow convenient access to programming boards and sockets.

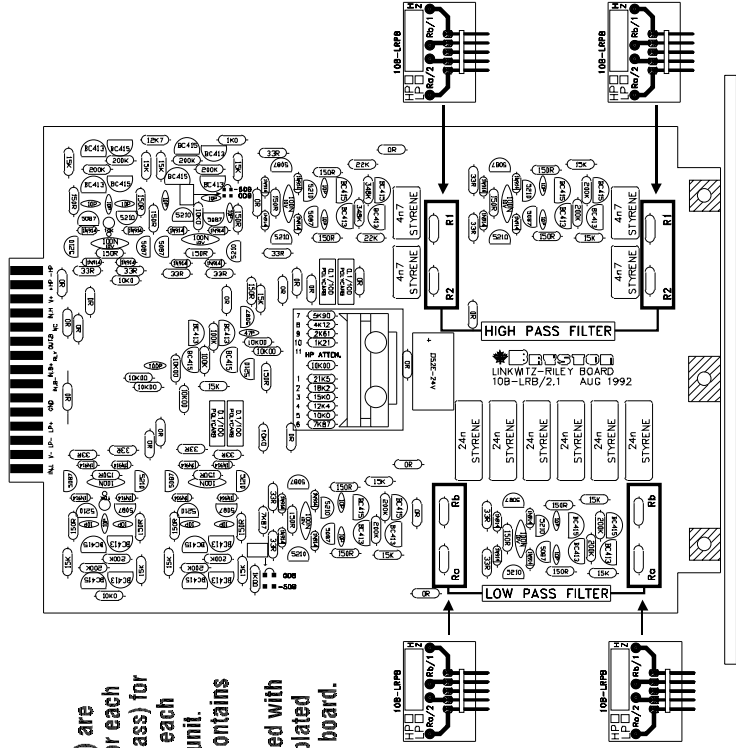
20 hz Right Channel 20K hz



Only this LED should be lit indicating that the unit is in Stereo, Linkwitz-Riley mode.



Top view of Crossover module/board



Top view of Crossover module/board

Two programming boards (10B-LRPB) are required to set the crossover points for each filter (2 for the Low & 2 for the High pass) for a total of four programming boards for each channel or eight for the entire stereo unit. Each programming board or module contains two 1% metal film resistors. Each programming board/module is equipped with 5 gold plated pins that plug into gold plated connectors mounted on the crossover board.

RESISTOR/CAPACITOR SUBSTITUTION TABLES FOR PROGRAMMING CUSTOM CROSSOVER FREQUENCIES IN LINKWITZ-RILEY (10B-LR) MODELS

The resistors used to program specific crossover frequencies in the Linkwitz-riley filters are often installed directly on the 10B-LR main boards, but they can also be installed on small programming boards as shown in the illustration "10B-LR PROGRAMMABLE LINKWITZ-RILEY STEREO CROSSOVER". Since the resistor values are dependent on the capacitor values used on the 10B-LR main board it is essential that the exact capacitor values are determined before attempting to find the correct resistor values for any particular crossover frequency. You may notice that the low pass capacitors (C1a, C1b, C2a & C2b ~ six axial capacitors in a row in the front left quadrant of the board) may be either 20nF, 22nF or 24nF. Also, please note that C1 is actually formed by paralleling two capacitors of the same value. Parallel capacitors are also used, on occasion, to produce other values of capacitance where needed. The value of two capacitors in parallel is equal to the sum of the two capacitances.

Please note that Bryston recommends that any component substitutions be performed only by qualified service personnel and that Bryston cannot be held responsible for any damage caused by unqualified personnel. Please contact your Bryston dealer or Bryston Limited directly if you have any questions about performing any modifications to Bryston equipment.

Capacitors: Low pass: C1=40n, C2=20n, High Pass: C(ab)=4n7

FREQ.	LP Ra,Rb	HP R1	HP R2	FREQ.	LP Ra,Rb	HP R1	HP R2
11278 Hz	499R	2K100	4K220	11013 Hz	511R	2K150	4K320
10761 Hz	523R	2K210	4K420	10500 Hz	536R	2K260	4K530
10251 Hz	549R	2K320	4K640	10014 Hz	562R	2K370	4K750
9771 Hz	576R	2K430	4K870	9539 Hz	590R	2K490	4K990
9318 Hz	604R	2K550	5K110	9092 Hz	619R	2K610	5K230
8877 Hz	634R	2K670	5K360	8672 Hz	649R	2K740	5K490
8463 Hz	665R	2K800	5K620	8264 Hz	681R	2K870	5K760
8063 Hz	698R	2K940	5K900	7871 Hz	715R	3K010	6K040
7688 Hz	732R	3K090	6K190	7504 Hz	750R	3K160	6K340
7328 Hz	768R	3K240	6K490	7151 Hz	787R	3K320	6K650
6982 Hz	806R	3K400	6K810	6822 Hz	825R	3K480	6K980
6660 Hz	845R	3K570	7K150	6499 Hz	866R	3K650	7K320
6345 Hz	887R	3K740	7K500	6191 Hz	909R	3K830	7K680
6045 Hz	931R	3K920	7K870	5905 Hz	953R	4K020	8K060
5766 Hz	976R	4K120	8K250	5628 Hz	1K000	4K220	8K450
5517 Hz	1K020	4K320	8K660	5360 Hz	1K050	4K420	8K870
5260 Hz	1K070	4K530	9K090	5116 Hz	1K100	4K640	9K310
4980 Hz	1K130	4K750	9K530	4894 Hz	1K150	4K870	9K760
4769 Hz	1K180	4K990	10K000	4651 Hz	1K210	5K110	10K200
4539 Hz	1K240	5K230	10K500	4431 Hz	1K270	5K360	10K700
4329 Hz	1K300	5K490	11K000	4231 Hz	1K330	5K620	11K300
4108 Hz	1K370	5K760	11K500	4020 Hz	1K400	5K900	11K800
3936 Hz	1K430	6K040	12K100	3828 Hz	1K470	6K190	12K400
3752 Hz	1K500	6K340	12K700	3654 Hz	1K540	6K490	13K000
3562 Hz	1K580	6K650	13K300	3474 Hz	1K620	6K810	13K700
3411 Hz	1K650	6K980	14K000	3330 Hz	1K690	7K150	14K300
3234 Hz	1K740	7K320	14K700	3162 Hz	1K780	7K500	15K000
3092 Hz	1K820	7K680	15K400	3010 Hz	1K870	7K870	15K800
2947 Hz	1K910	8K060	16K200	2871 Hz	1K960	8K250	16K500
2814 Hz	2K000	8K450	16K900	2745 Hz	2K050	8K660	17K400
2680 Hz	2K100	8K870	17K800	2618 Hz	2K150	9K090	18K200
2547 Hz	2K210	9K310	18K700	2490 Hz	2K260	9K530	19K100
2426 Hz	2K320	10K000	20K000	2375 Hz	2K370	10K000	20K000
2316 Hz	2K430	10K200	20K500	2260 Hz	2K490	10K500	21K000
2207 Hz	2K550	10K700	21K500	2156 Hz	2K610	11K000	22K100
2108 Hz	2K670	11K300	22K600	2054 Hz	2K740	11K800	23K700
2010 Hz	2K800	11K800	23K700	1961 Hz	2K870	12K100	24K300
1914 Hz	2K940	12K400	24K900	1870 Hz	3K010	12K700	25K500
1821 Hz	3K090	13K000	26K100	1781 Hz	3K160	13K300	26K700
1737 Hz	3K240	13K700	27K400	1695 Hz	3K320	14K000	28K000
1655 Hz	3K400	14K300	28K700	1617 Hz	3K480	14K700	29K400
1576 Hz	3K570	15K000	30K100	1542 Hz	3K650	15K400	30K900
1505 Hz	3K740	15K800	31K600	1469 Hz	3K830	16K200	32K400
1436 Hz	3K920	16K500	33K200	1400 Hz	4K020	16K900	34K000
1366 Hz	4K120	17K400	34K800	1334 Hz	4K220	17K800	35K700
1303 Hz	4K320	18K200	36K500	1273 Hz	4K420	18K700	37K400
1242 Hz	4K530	19K100	38K300	1213 Hz	4K640	19K600	39K200
1185 Hz	4K750	20K000	40K200	1156 Hz	4K870	20K500	41K200
1128 Hz	4K990	21K000	42K200	1101 Hz	5K110	21K500	43K200
1076 Hz	5K230	22K100	44K200	1050 Hz	5K360	22K600	45K300
1025 Hz	5K490	23K200	46K400	1001 Hz	5K620	23K700	47K500
977 Hz	5K760	24K300	48K700	954 Hz	5K900	24K900	49K900
932 Hz	6K040	25K500	51K100	909 Hz	6K190	26K100	52K300
888 Hz	6K340	26K700	53K600	867 Hz	6K490	27K400	54K900
846 Hz	6K650	28K000	56K200	826 Hz	6K810	28K700	57K600
806 Hz	6K980	29K400	59K000	787 Hz	7K150	30K100	60K400
769 Hz	7K320	30K900	61K900	750 Hz	7K500	31K600	63K400
				733 Hz	7K680	32K400	64K900
				698 Hz	8K060	34K000	68K100
				666 Hz	8K450	35K700	71K500
				634 Hz	8K870	37K400	75K000
				604 Hz	9K310	39K200	78K700
				577 Hz	9K760	41K200	82K500
				552 Hz	10K200	43K200	86K600
				526 Hz	10K700	45K300	90K900
				498 Hz	11K300	47K500	95K300
				477 Hz	11K800	49K900	100K00
				454 Hz	12K400	52K300	105K00
				433 Hz	13K000	54K900	110K00
				411 Hz	13K700	57K600	115K00
				394 Hz	14K300	60K400	121K00
				375 Hz	15K000	63K400	127K00
				356 Hz	15K800	66K500	133K00
				341 Hz	16K500	69K800	140K00
				323 Hz	17K400	73K200	147K00
				309 Hz	18K200	76K800	154K00
				295 Hz	19K100	80K600	162K00
				281 Hz	20K000	84K500	169K00
				268 Hz	21K000	88K700	178K00
				255 Hz	22K100	93K100	187K00
				243 Hz	23K200	100K00	200K00
				232 Hz	24K300	102K00	205K00
				221 Hz	25K500	107K00	215K00
				211 Hz	26K700	113K00	226K00
				201 Hz	28K000	118K00	237K00
				191 Hz	29K400	124K00	249K00
				182 Hz	30K900	130K00	261K00
				174 Hz	32K400	137K00	274K00
				166 Hz	34K000	143K00	287K00
				158 Hz	35K700	150K00	301K00
				150 Hz	37K400	158K00	316K00
				144 Hz	39K200	165K00	332K00
				137 Hz	41K200	174K00	348K00
				130 Hz	43K200	182K00	365K00
				124 Hz	45K300	191K00	383K00
				118 Hz	47K500	200K00	402K00
				113 Hz	49K900	210K00	422K00
				108 Hz	52K300	221K00	442K00
				103 Hz	54K900	232K00	464K00
				98 Hz	57K600	243K00	487K00
				93 Hz	60K400	255K00	511K00
				89 Hz	63K400	267K00	536K00
				85 Hz	66K500	280K00	562K00
				81 Hz	69K800	294K00	590K00
				77 Hz	73K200	309K00	619K00
				73 Hz	76K800	324K00	649K00
				70 Hz	80K600	340K00	681K00
				67 Hz	84K500	357K00	715K00
				63 Hz	88K700	374K00	750K00
				60 Hz	93K100	392K00	787K00
				58 Hz	97K600	412K00	825K00
				55 Hz	102K00	432K00	866K00
				53 Hz	107K00	453K00	909K00
				50 Hz	113K00	475K00	953K00
				48 Hz	118K00	499K00	1M0000
				45 Hz	124K00	523K00	1M0500
				43 Hz	130K00	549K00	1M1000
				41 Hz	137K00	576K00	1M1500
				715 Hz	7K870	33K200	66K500
				682 Hz	8K250	34K800	69K800
				650 Hz	8K660	36K500	73K200
				619 Hz	9K090	38K300	76K800
				591 Hz	9K530	40K200	80K600
				563 Hz	10K000	42K200	84K500
				536 Hz	10K500	44K200	88K700
				512 Hz	11K000	46K400	93K100
				489 Hz	11K500	48K700	97K600
				465 Hz	12K100	51K100	102K00
				443 Hz	12K700	53K600	107K00
				423 Hz	13K300	56K200	113K00
				402 Hz	14K000	59K000	118K00
				383 Hz	14K700	61K900	124K00
				365 Hz	15K400	64K900	130K00
				347 Hz	16K200	68K100	137K00
				333 Hz	16K900	71K500	143K00
				316 Hz	17K800	75K000	150K00
				301 Hz	18K700	78K700	158K00
				287 Hz	19K600	82K500	165K00
				275 Hz	20K500	86K600	174K00
				262 Hz	21K500	90K900	182K00
				249 Hz	22K600	95K300	191K00
				237 Hz	23K700	100K00	200K00
				226 Hz	24K900	105K00	210K00
				216 Hz	26K100	110K00	221K00
				205 Hz	27K400	118K00	237K00
				196 Hz	28K700	121K00	243K00
				187 Hz	30K100	127K00	255K00
				178 Hz	31K600	133K00	267K00
				170 Hz	33K200	140K00	280K00
				162 Hz	34K800	147K00	294K00
				154 Hz	36K500	154K00	309K00
				147 Hz	38K300	162K00	324K00
				140 Hz	40K200	169K00	340K00
				133 Hz	42K200	178K00	357K00
				127 Hz	44K200	187K00	374K00
				121 Hz	46K400	196K00	392K00
				116 Hz	48K700	205K00	412K00
				110 Hz	51K100	215K00	432K00
				105 Hz	53K600	226K00	453K00
				100 Hz	56K200	237K00	475K00
				95 Hz	59K000	249K00	499K00
				91 Hz	61K900	261K00	523K00
				87 Hz	64K900	274K00	549K00
				83 Hz	68K100	287K00	576K00
				79 Hz	71K500	301K00	604K00
				75 Hz	75K000		

IMPORTANT SAFETY INSTRUCTIONS



The lightning flash with arrowhead symbol within an equilateral triangle, is intended to alert the user to the presence of un-insulated "dangerous voltage " within the product's enclosure that may be of sufficient magnitude to constitute a risk of electric shock to persons.



The exclamation point within an equilateral triangle is intended to alert the user to the presence of important operating and maintenance (servicing) instructions in the literature accompanying the product.

1. Read these instructions.
2. Keep these instructions.
3. Heed all warnings.
4. Follow all instructions.
5. Do not use this apparatus near water.
6. Clean only with dry cloth.
7. Do not block any ventilation openings. Install in accordance with the manufacturer's instructions.
8. Do not install near any heat sources such as radiators, heat registers, stoves, or other apparatus (including amplifiers) that produce heat.
9. Do not defeat the safety purpose of the polarized or grounding-type plug. A polarized plug has two blades with one wider than the other. A grounding type plug has two blades and a third grounding prong. The wide blade or the third prong are provided for your safety. If the provided plug does not fit into your outlet, consult an electrician for replacement of the obsolete outlet.
10. Protect the power cord from being walked on or pinched particularly at plugs, convenience receptacles, and the point where they exit from the apparatus.
11. Only use attachments/accessories specified by the manufacturer.
12. Use only with the cart, stand, tripod, bracket, or table specified by the manufacturer, or sold with the apparatus. When a cart is used use caution when moving the cart/apparatus combination to avoid injury from tip-over.
13. Unplug this apparatus during lightning storms or when unused for long periods of time.
14. Refer all servicing to qualified service personnel. Servicing is required when the apparatus has been damaged in any way, such as power-supply cord or plug is damaged, liquid has been spilled or objects have fallen into the apparatus, the apparatus has been exposed to rain or moisture, does not operate normally, or has been dropped.



WARNING: TO REDUCE THE RISK OF FIRE OR ELECTRIC SHOCK, DO NOT EXPOSE THIS APPARATUS TO RAIN OR MOISTURE.

DO NOT EXPOSE THIS EQUIPMENT TO DRIPPING OR SPLASHING AND ENSURE THAT NO OBJECTS FILLED WITH LIQUIDS, SUCH AS VASES, ARE PLACED ON THE EQUIPMENT.

TO COMPLETELY DISCONNECT THIS EQUIPMENT FROM THE AC MAINS, DISCONNECT THE POWER SUPPLY CORD PLUG FROM THE AC RECEPTACLE.

THE MAINS PLUG OF THE POWER SUPPLY CORD SHALL REMAIN READILY OPERABLE.

BRYSTON LIMITED WARRANTY

Bryston analog audio products are warranted to be free from manufacturing defects for twenty (20) years from the original date of manufacture. The warranty includes parts and labour.

Bryston Digital products and cables are warranted for five years from the original date of manufacture. The warranty includes parts and labour.

Bryston products having motorized moving parts, excluding motorized volume controls, are warranted for three years from the original date of manufacture. The warranty includes parts and labour.

Bryston will remedy the problem by repair or replacement, as we deem necessary, to restore the product to full performance. Bryston will pay shipping costs one way (usually the return portion) during the first three years of warranty coverage.

In the event of a defect or malfunction, contact Bryston's repair centers for return authorization. Products must be returned using original packaging material only. Packing material may be purchased from Bryston if necessary. This warranty is considered void if the defect, malfunction or failure of the product or any component part was caused by damage (not resulting from a defect or malfunction) or abuse while in the possession of the customer. Tampering by persons other than factory authorized service personnel or failure to fully comply with Bryston operating instructions voids the warranty. This warranty gives you specific legal rights and you may also have other rights which may vary from province to province and country to country.

As of 2006-02-22 Bryston will only warranty Bryston products purchased through authorized Bryston dealers. Bryston products with a date code of 0608 or higher (date code format is "yyww", where "yy" is the two least significant digits of the year and "ww" is the week of the year) must be accompanied by a copy of the bill-of-sale from a Bryston authorized dealer to qualify for warranty service. The warranty is transferable from the original owner to a subsequent owner as long as a copy of the bill-of-sale from the original authorized Bryston dealer accompanies the re-sale. The copy of the bill of sale to any subsequent owner need ONLY include the Name of the Bryston Authorized Dealer and the Model and Serial number of the Bryston product. The warranty will only be honored in the country of the original purchase unless otherwise pre-authorized by Bryston.

BRYSTON SERVICE in CANADA:

Postal address: **PO. BOX 2170, Stn. Main
PETERBOROUGH, ONTARIO
CANADA K9J 7Y4**

Courier address: **677 NEAL DRIVE
PETERBOROUGH, ONTARIO
CANADA K9J 6X7**

PHONE: 705-742-5325
FAX: 705-742-0882
E-mail: cdnser@bryston.com

BRYSTON SERVICE in the USA:

**79 COVENTRY ST., Suite 5
NEWPORT, VERMONT
U.S.A. 05855-2100**

PHONE: 802-334-1201
FAX: 802-334-6658
E-mail: usaser@bryston.com

BRYSTON SERVICE outside Canada and the USA:

contact your local distributor or

CHECK OUR WEB SITE: www.bryston.com
E-MAIL BRYSTON DIRECTLY: cdnser@bryston.com
FAX BRYSTON DIRECTLY: 01-705-742-0882
PHONE BRYSTON DIRECTLY: 01-705-742-5325