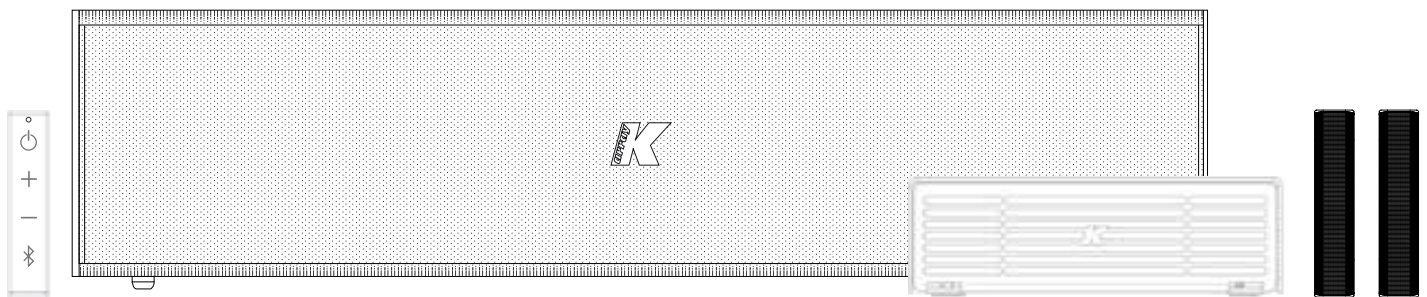


# Azimut

Minimalist design,  
maximum connectivity



## Reference Guide

Complete audio solution  
with plug and play capabilities  
Bluetooth connectivity  
Onboard Spotify  
Dedicated app via Wi-F

**K-ARRAY**  
Unique Audio Solutions

# **Azimut**

## Reference Guide

Thank you for choosing a K-array product!  
To ensure proper operation, please read this owner's manual and safety instruction carefully before using the product.  
After reading this manual, be sure to keep it for future reference.

Should you have any questions about your new device please contact K-array customer service at [support@k-array.com](mailto:support@k-array.com) or contact the official K-array distributor in your country.

---

## UNPACKING

Each K-array amplifier is built to the highest standard and thoroughly inspected before leaving the factory. Upon arrival, carefully inspect the shipping carton, then examine and test your new amplifier. If you find any damage, immediately notify the shipping company.

Check that the following parts are supplied with the product.

- 1x Kommander-KA02 amplifier
- 1x Rumble-KU44-2 subwoofer
- 2x Lizard-KZ14 ultra miniaturized line-array element w/cable
- 1x K-Audioctrl remote control w/cable
- 1x Subwoofer cable
- 1x Power supply w/power cord
- 2x Line input connectors (Phoenix MC 1.5/3-G-3.81)
- 3x Self adhesive magnet strip
- 3x Double-sided bonding strip

---

## CONNECTING

Find the device name on the label stuck on the amplifier bottom side (i.e. AZIMUT-1021).

### **Wired connection**

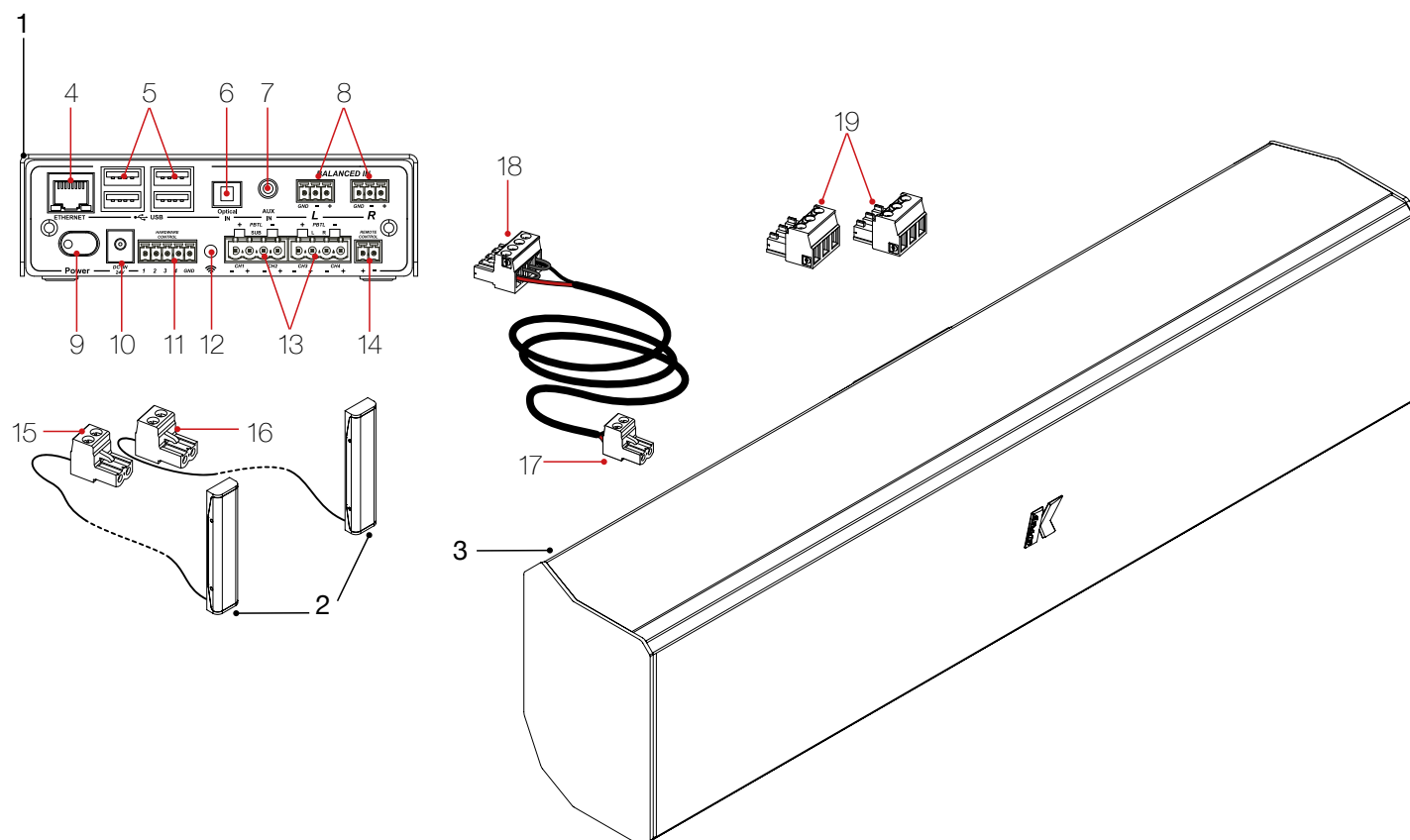
On your preferred browser go to the address field and write the path to the built in web interface (i.e. <http://AZIMUT-1021>).

### **Wi-Fi connection**

Connect your Wi-Fi device to the hotspot with the name of your Azimut (i.e. AZIMUT-1021). On your preferred browser go to the address field and write <http://192.168.10.1>  
When asked, insert the password 12345678

### **Bluetooth**

Pair your device with the Azimut.



1. **Kommander-KA02**

2. **Lyzard-KZ14**

3. **Rumble-KU44-2**

4. Ethernet Port

5. USB ports

6. Optical input

7. Analog input

8. Balanced LEFT/RIGHT input

9. Power switch

10. DC inlet

11. GPIO

12. Wi-Fi reset switch

13. Output connection

14. Remote control port

15. Output LEFT

16. Output RIGHT

17. SUB connector

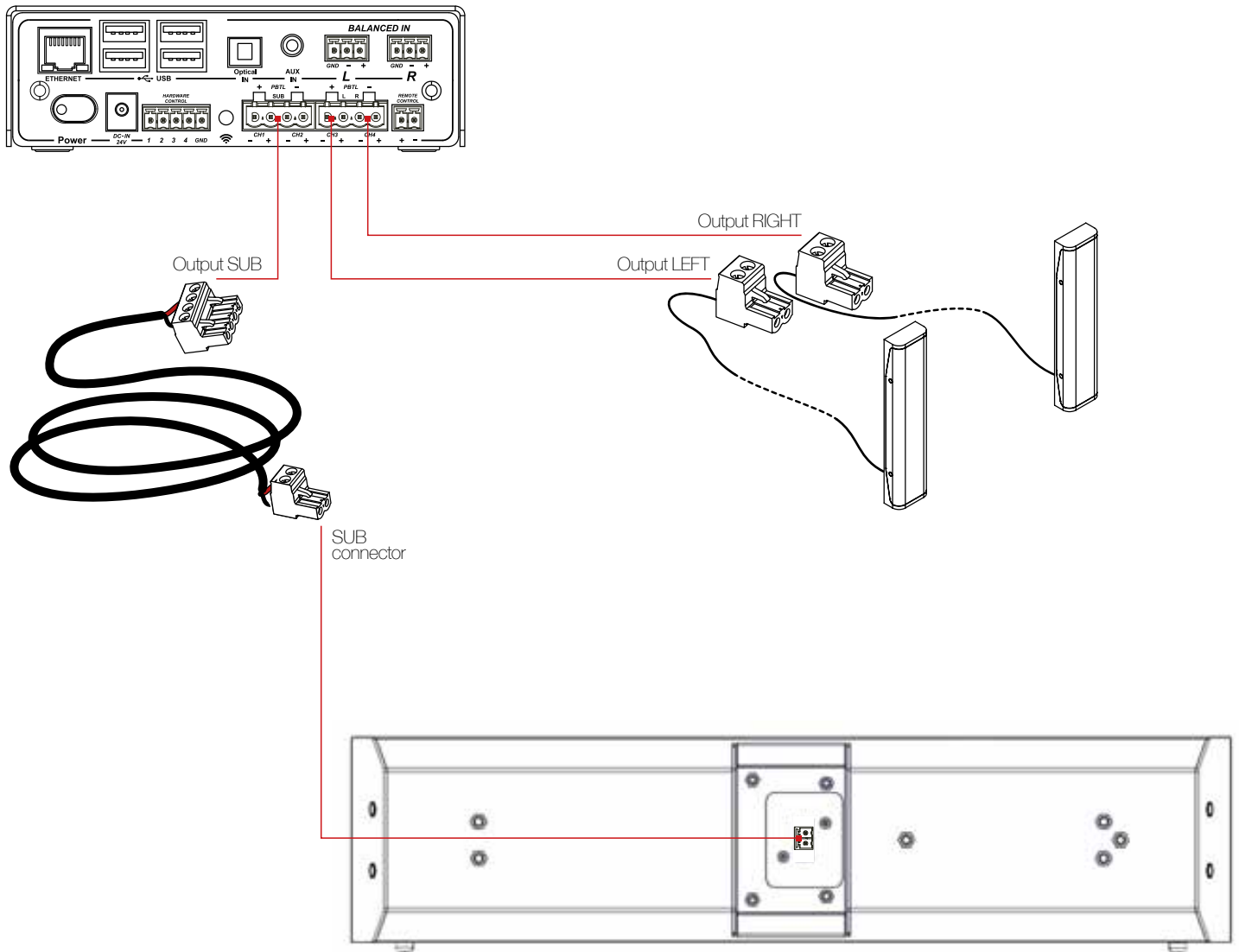
18. Output SUB

19. Balanced connector

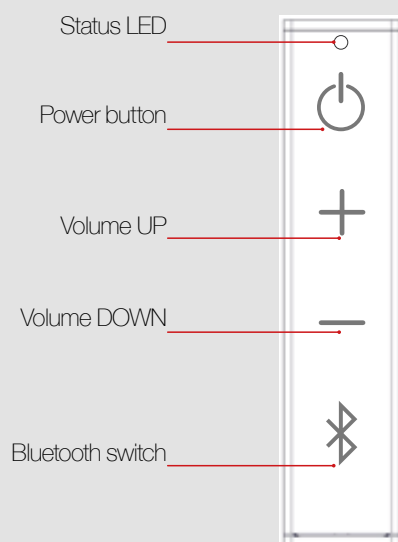
# Azimut

Reference Guide

## LOUDSPEAKER CONFIGURATION



## REMOTE CONTROL



	Standby	Power On
Status LED	Blinking	Solid White

Bluetooth switch	Keep pressed for 10 s for pairing
------------------	-----------------------------------

Connection parameters are collected on a label underneath the Kommander-KA02 amplifier.

For Wi-Fi connection, default parameters are:

Default IP: 192.168.10.1

Default password: 12345678

## APP



# Azimut

## Reference Guide

### TECHNICAL SPECIFICATIONS


<b>ACOUSTICS</b>		<b>REMOTE</b>	
Power handling	Subwoofer: 80W Mid-high speakers: 15W each	Wired Remote Control	2-pin phoenix
Impedance	Subwoofer: 2Ω Mid-high speakers: 16Ω	Hardware Control	5-pin phoenix (4 x GPIO ports)
Frequency range	45Hz – 19kHz (-10dB)	Network	10-100 Mbps Ethernet (RJ45), Wireless LAN 802.11n
SPL 1W@1mt	Subwoofer: 87dB <sub>SPL</sub> Mid-high speakers: 82dB <sub>SPL</sub>	<b>DSP PROCESSING</b>	
Maximum SPL	Subwoofer: 100dB <sub>SPL</sub> (continuous) - 106dB <sub>SPL</sub> (peak) Mid-high speakers: 92dB <sub>SPL</sub> (continuous) - 98dB <sub>SPL</sub> (peak)	Sample Rate	192 kHz
<b>COVERAGE</b>		Bit Depth	32 bit
Horizontal	Subwoofer: omni Mid-high speakers: 140°	<b>AMPLIFIER</b>	
Vertical	Subwoofer: omni Mid-high speakers: 20°	Type	4-channel Class-D audio amplifier
<b>CROSSOVER</b>		Power	4 x 50W @ 4Ω - 10% THD
Type	Internal digital crossover	Azimut Config	Subwoofer: 100 W @ 2Ω (Ch1-Ch2 PBTL config) Mid-high out left: 50 W @ 4Ω (Ch3 BTL config) Mid-high out right: 50 W @ 4Ω (Ch4 BTL config)
<b>TRANSDUCERS</b>		<b>PROTECTION</b>	
Low frequency	2 x 4" Ferrite Magnet with 1" voice coil 2 x 4" Passive Radiator	Type	Output Short Protection DC Offset Overtemperature Undervoltage and Overvoltage 40V Load Dump Open Ground and Power Tolerant
Mid-High frequency	4 x 0.5" Neodymium Magnet with 0.5" voice coil	<b>DC POWER</b>	
<b>AUDIO INPUT</b>		Operating range	24Vdc - 5A
Analog Balanced	Left: 3-pin phoenix Right: 3-pin phoenix	Connector	2.5mm power jack
Analog Unbalanced	3.5mm Jack Stereo	<b>PHYSICAL OVERVIEW</b>	
Optic	Fibre Optic Jack Connector	<b>Dimensions</b>	
USB	4 x USB 2.0	Mid-high: 2.2 x 10.0 x 1.2 cm (0.8"x 3.9"x 0.4") Subwoofer: 50.0 x 11.6 x 10.1 cm (19.7"x 4.6"x 4.0") Amplifier: 14.4 x 4.6 x 14.4 cm (5.7"x 1.8"x 5.7") Remote: 2.2 x 10.0 x 1.2 cm (0.8"x 3.9"x 0.4")	
Bluetooth	4.1 Bluetooth Low Energy	<b>Weight</b>	
<b>POWER AUDIO OUTPUT</b>		Mid-high: 0.065 kg (0.14 lbs) Subwoofer: 5.2 kg (11.46 lbs) Amplifier: 0.5 kg (1.10 lbs) Remote: 0.045 kg (0.10 lbs)	
Subwoofer	4-pin phoenix (Ch1-Ch2 PBTL config)		
Mid-high speakers	Left: 2-pin phoenix (Ch3 BTL config) Right: 2-pin phoenix (Ch4 BTL config)		

### IMPORTANT SAFETY INSTRUCTIONS

Read these instructions - Keep these instructions  
Heed all warnings



Warning. Failure to follow these safety instructions could result in fire, shock or other injury or damage to the device or other property.

- Read these instructions.
- Keep this instructions.
- Heed all warnings.
- Follow all instructions.
- Do not use this apparatus near water.
- Clean only with dry cloth.
- Do not block any ventilation openings. Install in accordance with the manufacturer's instructions.
- Do not install near any heat sources such as radiators, heat registers, stoves, or other apparatus (including amplifiers) that produce heat.
- Do not defeat the safety purpose of the polarized or grounding-type plug. A polarized plug has two blades with one wider than the other. A grounding type plug has two blades and a third grounding prong. The wide blade or the third prong are provided for your safety. If the provided plug does not fit into your outlet, consult an electrician for replacement of the obsolete outlet.
- Protect the power cord from being walked on or pinched particularly at plugs, convenience receptacles, and the point where they exit from the apparatus.
- Only use attachments/accessories specified by the manufacturer.
- Use only with the cart, stand, tripod, bracket, or table specified by the manufacturer, or sold with the apparatus.
- When a cart is used, use caution when moving the cart/apparatus combination to avoid injury from tip-over. 
- Unplug this apparatus during lightning storms or when unused for long periods of time.
- Refer all servicing to qualified service personnel. Servicing is required when the apparatus has been damaged in any way, such as power-supply cord or plug is damaged, liquid has been spilled or objects have fallen into the apparatus, the apparatus has been exposed to rain or moisture, does not operate normally, or has been dropped.

### SYMBOLS



K-array declares that this device is in compliance with applicable CE standards and regulations. Before putting the device into operation, please observe the respective country-specific regulations!



WEEE

Please dispose of this product at the end of its operational lifetime by bringing it to your local collection point or recycling center for such equipment.



This symbol alerts the user to the presence of recommendations about the product's use and maintenance.



The lighting flash with arrowhead symbol within an equilateral triangle is intended to alert the user to the presence of uninsulated, dangerous voltage within the product enclosure that may be of magnitude to constitute a risk of electrical shock.



This device complies with Restriction of Hazardous Substances Directive.



**Designed and Made in Italy**

K-ARRAY surl

Via Paolina Romagnoli 17 | 50038 Scarperia e San Piero - Firenze - Italy

ph +39 055 84 87 222 | [info@k-array.com](mailto:info@k-array.com)

**[www.k-array.com](http://www.k-array.com)**