








COMPACT A 10
COMPACT A 12
COMPACT A 15

PROFESSIONAL SPEAKERS

1. SAFETY PRECAUTIONS AND GENERAL INFORMATION

The symbols used in this document give notice of important operating instructions and warnings which must be strictly followed.

	CAUTION	Important operating instructions: explains hazards that could damage a product, including data loss
	WARNING	Important advice concerning the use of dangerous voltages and the potential risk of electric shock, personal injury or death.
	IMPORTANT NOTES	Helpful and relevant information about the topic
	SUPPORTS, TROLLEYS AND CARTS	Information about the use of supports, trolleys and carts. Reminds to move with extreme caution and never tilt.
	WASTE DISPOSAL	This symbol indicates that this product should not be disposed with your household waste, according to the WEEE directive (2012/19/EU) and your national law.

IMPORTANT NOTES

This manual contains important information about the correct and safe use of the device. Before connecting and using this product, please read this instruction manual carefully and keep it on hand for future reference. The manual is to be considered an integral part of this product and must accompany it when it changes ownership as a reference for correct installation and use as well as for the safety precautions. RCF S.p.A. will not assume any responsibility for the incorrect installation and / or use of this product.

SAFETY PRECAUTIONS

1. All the precautions, in particular the safety ones, must be read with special attention, as they provide important information.

2. Power supply from mains

- The mains voltage is sufficiently high to involve a risk of electrocution; install and connect this product before plugging it in.
- Before powering up, make sure that all the connections have been made correctly and the voltage of your mains corresponds to the voltage shown on the rating plate on the unit, if not, please contact your RCF dealer.
- The metallic parts of the unit are earthed through the power cable. An apparatus with CLASS I construction shall be connected to a mains socket outlet with a protective earthing connection.
- Protect the power cable from damage; make sure it is positioned in a way that it cannot be stepped on or crushed by objects.
- To prevent the risk of electric shock, never open this product: there are no parts inside that the user needs to access.
- Be careful: in the case of a product supplied by manufacturer only with POWERCON connectors and without a power cord, jointly to POWERCON connectors type NAC3FCA (power-in) and NAC3FCB (power-out), the following power cords compliant to national standard shall be used:
 - EU: cord type H05VV-F 3G 3x2.5 mm² - Standard IEC 60227-1
 - JP: cord type VCTF 3x2 mm²; 15Amp/120V~ - Standard JIS C3306
 - US: cord type SJT/SJTO 3x14 AWG; 15Amp/125V~ - Standard ANSI/UL 62

3. Make sure that no objects or liquids can get into this product, as this may cause a short circuit. This apparatus shall not be exposed to dripping or splashing. No objects filled with liquid, such as vases, shall be placed on this apparatus. No naked sources (such as lighted candles) should be placed on this apparatus.

4. Never attempt to carry out any operations, modifications or repairs that are not expressly described in this manual. Contact your authorized service centre or qualified personnel should any of the following occur:

- **The product does not function (or functions in an anomalous way).**
- **The power cable has been damaged.**

- **Objects or liquids have got in the unit.**
- **The product has been subject to a heavy impact.**

5. If this product is not used for a long period, disconnect the power cable.

6. If this product begins emitting any strange odours or smoke, switch it off immediately and disconnect the power cable.

7. Do not connect this product to any equipment or accessories not foreseen.

For suspended installation, only use the dedicated anchoring points and do not try to hang this product by using elements that are unsuitable or not specific for this purpose. Also check the suitability of the support surface to which the product is anchored (wall, ceiling, structure, etc.), and the components used for attachment (screw anchors, screws, brackets not supplied by RCF etc.), which must guarantee the security of the system / installation over time, also considering, for example, the mechanical vibrations normally generated by transducers.

To prevent the risk of falling equipment, do not stack multiple units of this product unless this possibility is specified in the user manual.

8. RCF S.p.A. strongly recommends this product is only installed by professional qualified installers (or specialised firms) who can ensure correct installation and certify it according to the regulations in force. The entire audio system must comply with the current standards and regulations regarding electrical systems.

9. Supports, trolleys and carts.



The equipment should be only used on supports, trolleys and carts, where necessary, that are recommended by the manufacturer. The equipment / support / trolley / cart assembly must be moved with extreme caution. Sudden stops, excessive pushing force and uneven floors may cause the assembly to overturn. Never tilt the assembly.

10. There are numerous mechanical and electrical factors to be considered when installing a professional audio system (in addition to those which are strictly acoustic, such as sound pressure, angles of coverage, frequency response, etc.).

11. Hearing loss.

Exposure to high sound levels can cause permanent hearing loss. The acoustic pressure level that leads to hearing loss is different from person to person and depends on the duration of exposure. To prevent potentially dangerous exposure to high levels of acoustic pressure, anyone who is exposed to these levels should use adequate protection devices. When a transducer capable of producing high sound levels is being used, it is therefore necessary to wear ear plugs or protective earphones. See the manual technical specifications to know the maximum sound pressure level.

OPERATING PRECAUTIONS

- Place this product far from any heat sources and always ensure an adequate air circulation around it.
- Do not overload this product for a long time.
- Never force the control elements (keys, knobs, etc.).
- Do not use solvents, alcohol, benzene or other volatile substances for cleaning the external parts of this product.

IMPORTANT NOTES

To prevent the occurrence of noise on line signal cables, use screened cables only and avoid putting them close to:

- **Equipment that produces high-intensity electromagnetic fields**
- **Power cables**
- **Loudspeaker lines**



WARNING! CAUTION! To prevent the risk of fire or electric shock, never expose this product to rain or humidity.



WARNING! To prevent electric shock hazard, do not connect to mains power supply while grille is removed



WARNING! to reduce the risk of electric shock, do not disassemble this product unless you are qualified. Refer servicing to qualified service personnel.

CORRECT DISPOSAL OF THIS PRODUCT



This product should be handed over to an authorized collection site for recycling waste electrical and electronic equipment (EEE). Improper handling of this type of waste could have a possible negative impact on the environment and human health due to potentially hazardous substances that are generally associated with EEE. At the same time, your cooperation in the correct disposal of this product will contribute to the effective usage of natural resources. For more information about where you can drop off your waste equipment for recycling, please contact your local city office, waste authority or your household waste disposal service.

CARE AND MAINTENANCE

To ensure a long-life service, this product should be used following these advices:

- If the product is intended to be set up outdoors, be sure it is under cover and protected to rain and moisture.
 - If the product needs to be used in a cold environment, slowly warm up the voice coils by sending a low-level signal for about 15 minutes before sending high-power signals.
 - Always use a dry cloth to clean the exterior surfaces of the speaker and always do it when the power is turned off.
-



CAUTION: to avoid damaging the exterior finishes do not use cleaning solvents or abrasives.



WARNING! CAUTION! For powered speakers, do cleaning only when the power is turned off.

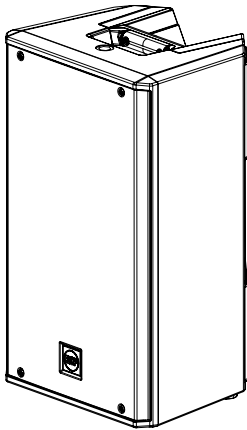
RCF S.p.A. reserves the right to make changes without prior notice to rectify any errors and / or omissions.

Always refer to the latest version of the manual on www.rcf.it.

2. DESCRIPTION

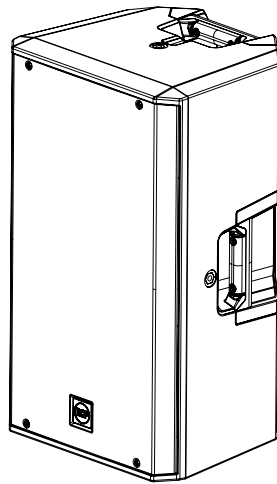
COMPACT A 10, COMPACT A 12, COMPACT A 15 - PROFESSIONAL SPEAKERS

COMPACT A 10, 12 and 15 are multipurpose two-way full-range professional speaker systems, suitable for a wide range of applications, such as live sound reinforcement and stage monitoring as well as distributed sound systems for clubs or music venues. They feature high sensitivity, typical of professional audio cabinets thanks to the use of oversized magnets and a HI-FI sound quality, with smooth and wide frequency response, thanks to the wave-guided compression driver. The SPL level of low-distortion audio these speakers can provide goes far beyond expectations of such a compact solution. Their robust composite polypropylene cabinet and the full steel grille make them ideal for transportation and for any working environment. Optional mounting accessories allow using the speakers on wall or ceiling installations.



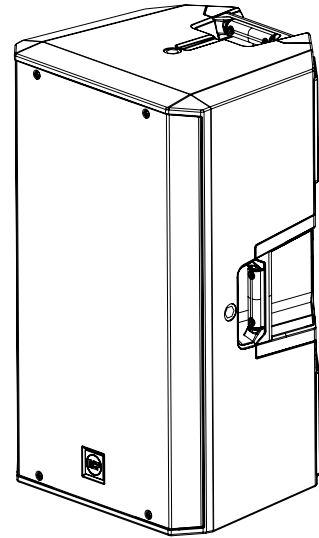
COMPACT A 10

Power handling: 350 Watt
 10" Woofer - 2,5" v.c.
 1.75" Compression Driver
 15.5 kg (34.17 lbs)



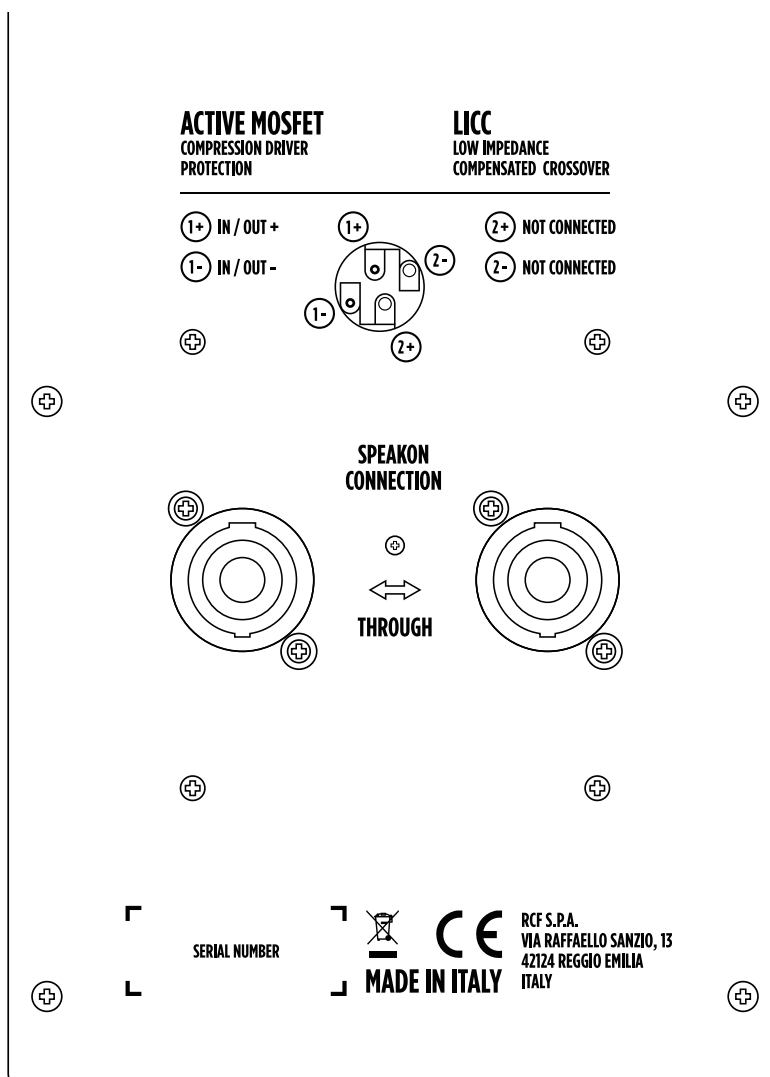
COMPACT A 12

Power handling: 400 Watt
 12" Woofer - 2,5" v.c.
 1.75" Compression Driver
 18,2 kg (40.12 lbs)



COMPACT A 15

Power handling: 450 Watt
 15" Woofer - 3.0" v.c.
 1.75" Compression Driver
 23,5 kg (51.8 lbs)



The rear panel displays 2 sockets, both for 'Neutrik Speakon NL4' (4-pole) plugs:

One of the two sockets (indifferently) receives the signal from the amplifier; the other one becomes the "THROUGH" socket and be used to link another speaker.



WARNING! CAUTION! Loudspeaker connections should be only made by qualified and experienced personnel having the technical know-how or enough specific instructions (to ensure that connections are made correctly) in order to prevent any electrical danger.

To prevent any risk of electric shock, do not connect loudspeakers when the amplifier is switched on.

Before turning the system on, check all connections and make sure there are no accidental short circuits.

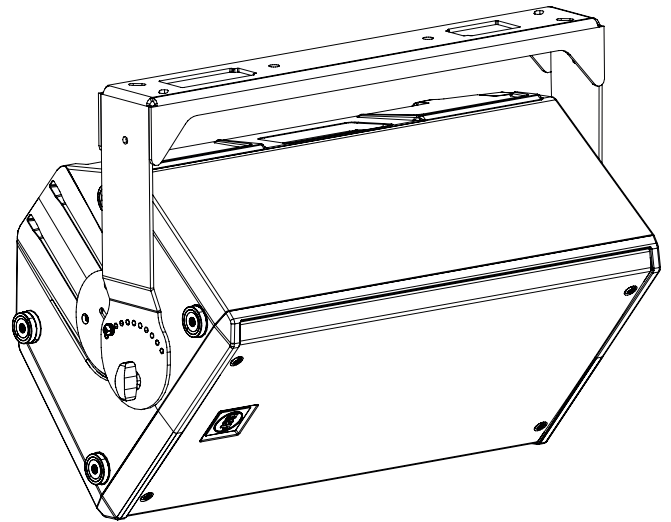
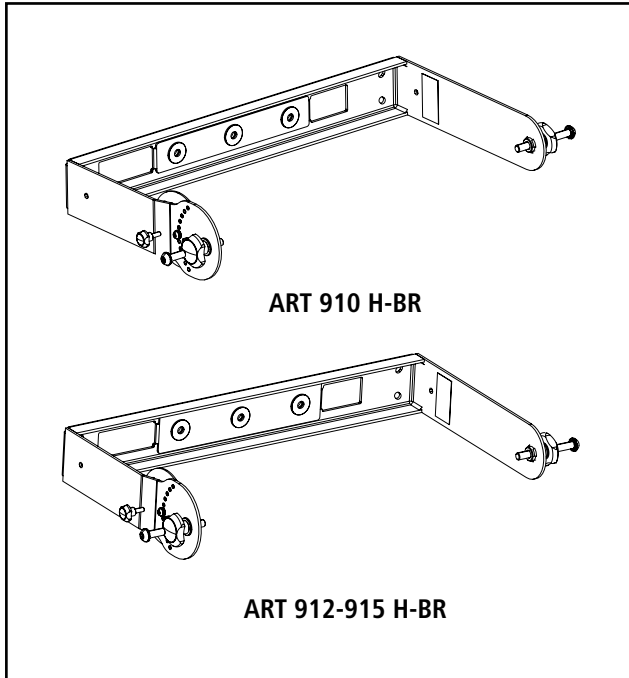
The entire sound system shall be designed and installed in compliance with the current local laws and regulations regarding electrical systems.

4. INSTALLATION

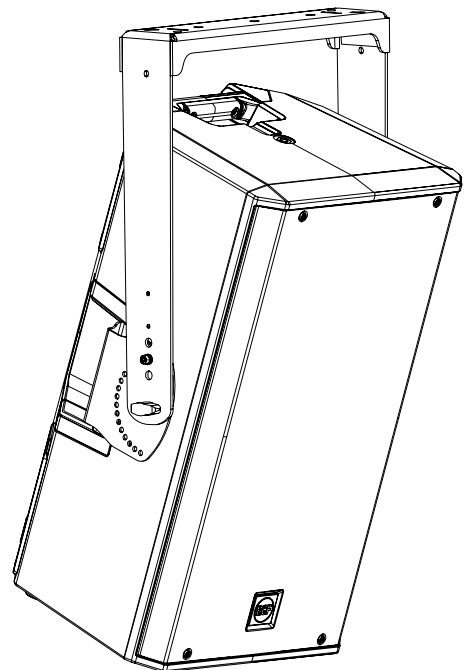
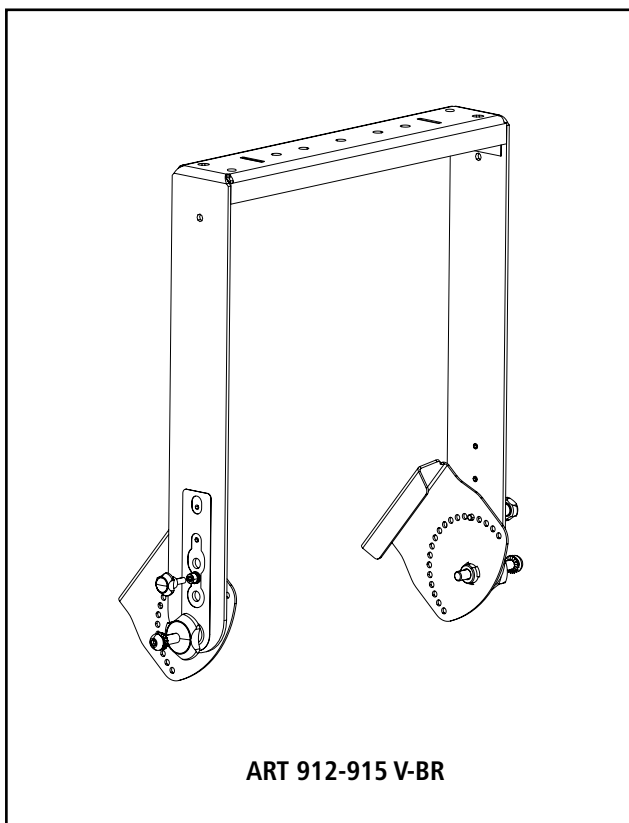
SUSPENDED CONFIGURATIONS

COMPACT A 10, 12 and 15 can also be wall mounted or hanged with the use of ART9 accessories: **ART9 H-BR**, **ART9 V-BR** and **ART9 FL-BR**.

Accessories for HORIZONTAL SUSPENSION

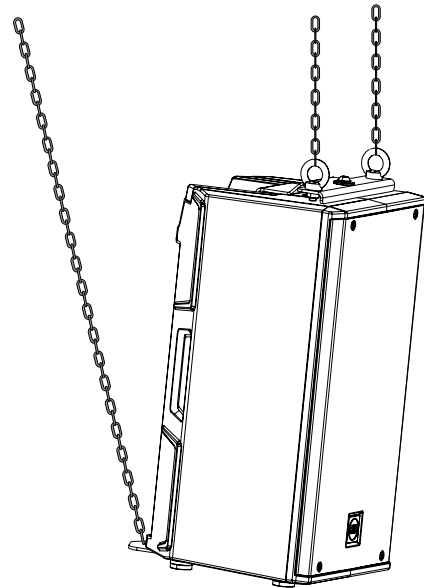
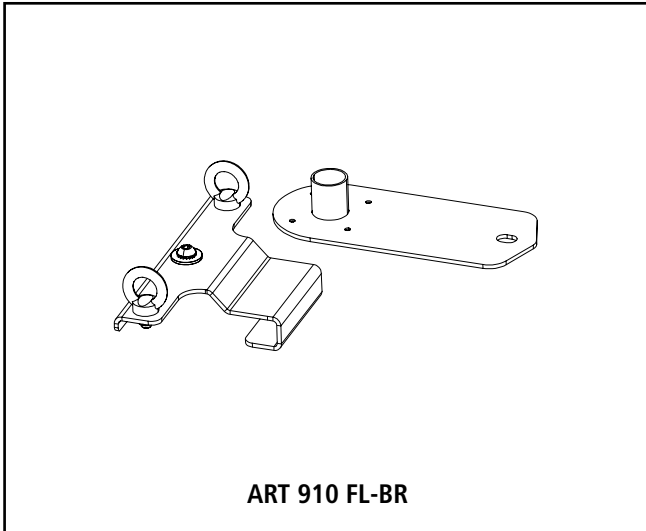


Accessories for VERTICAL SUSPENSION

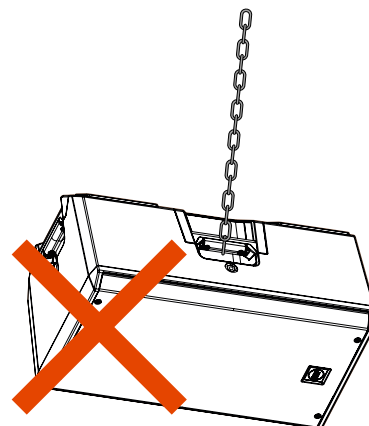
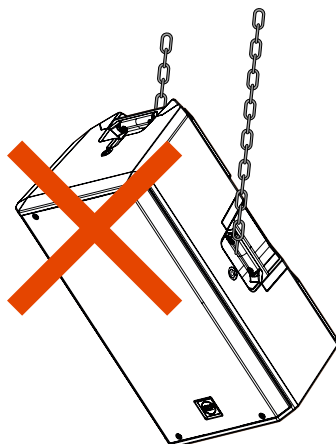
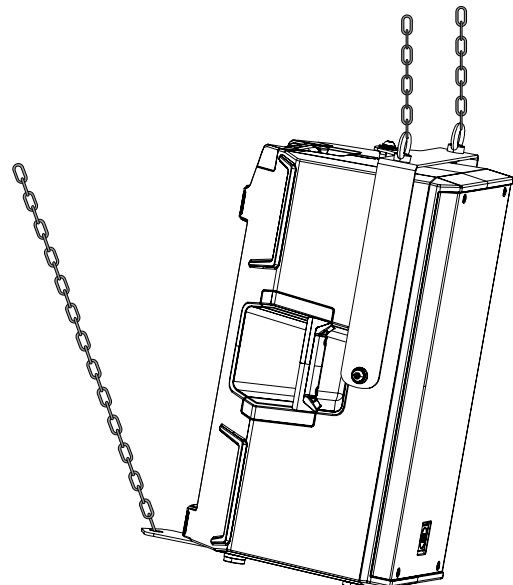
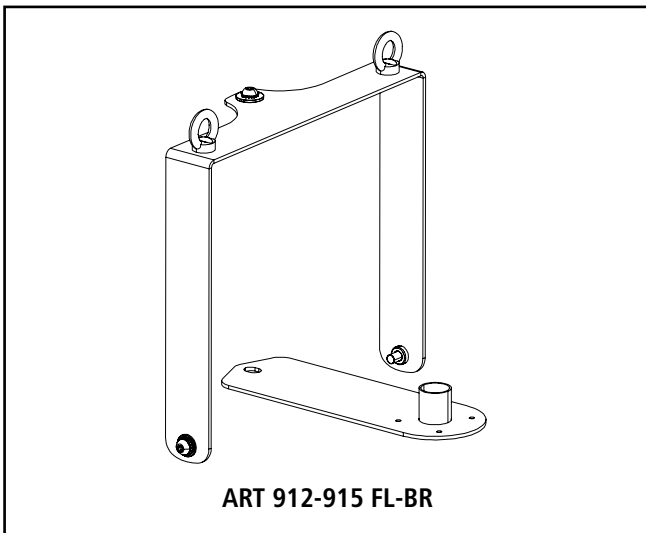


4. INSTALLATION

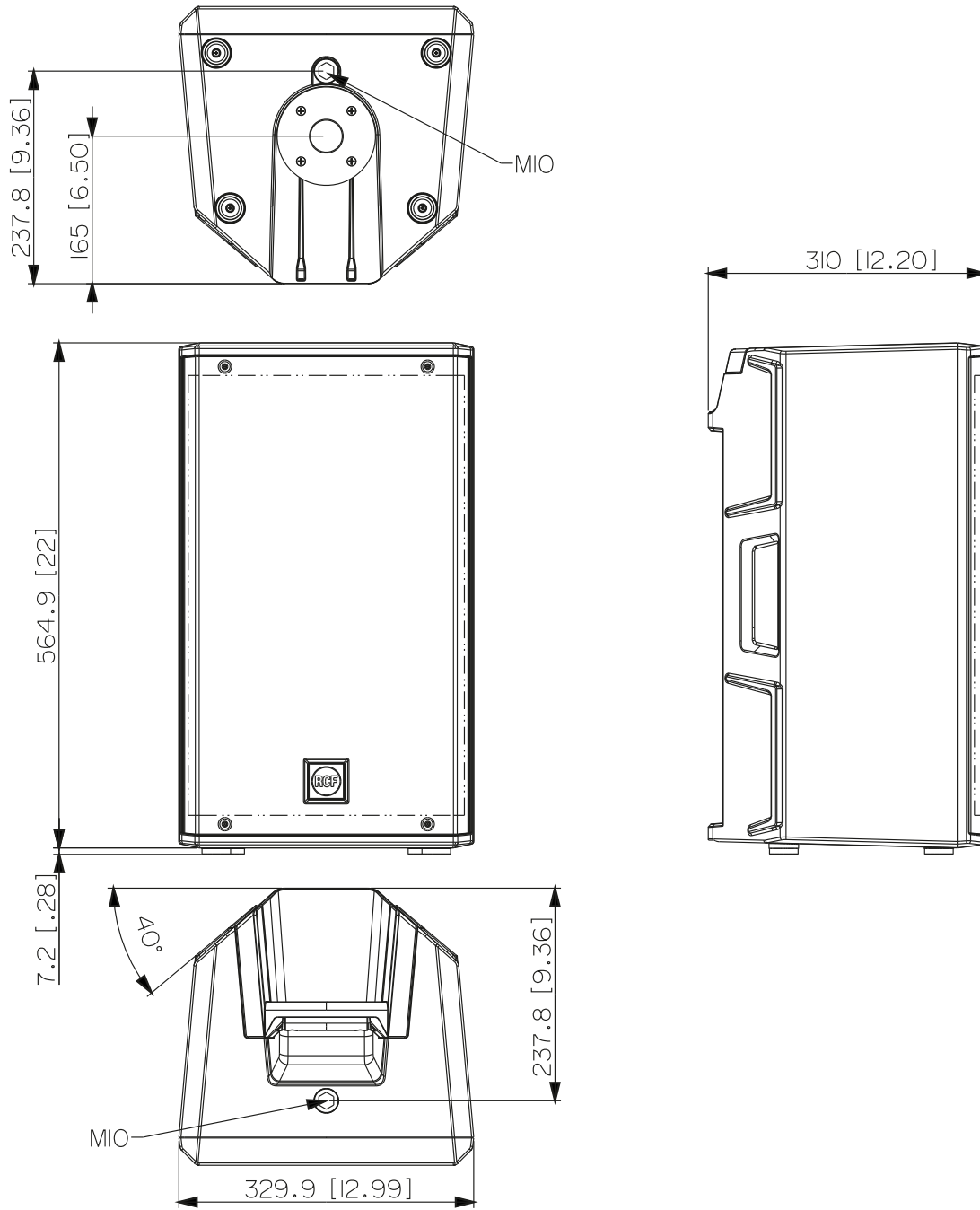
Accessories for HANGING

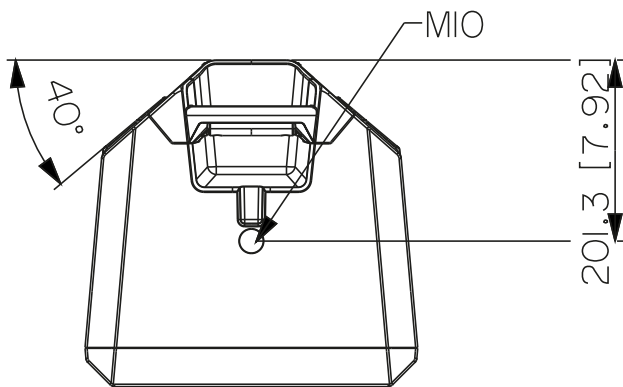
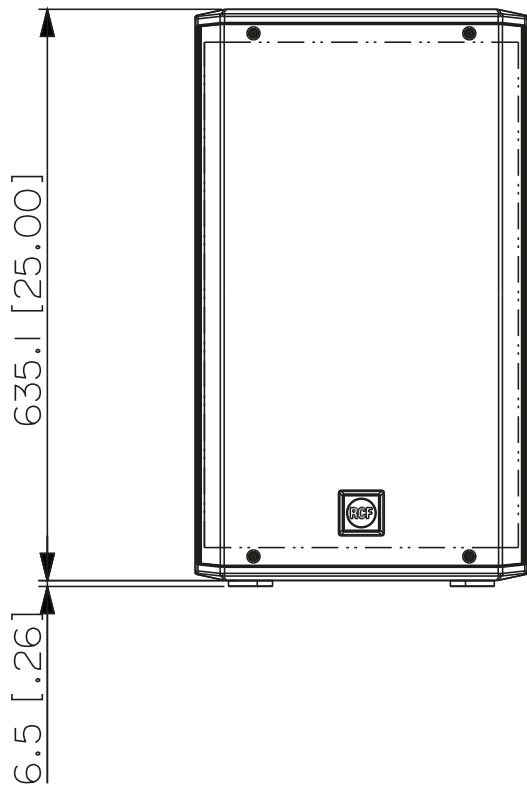
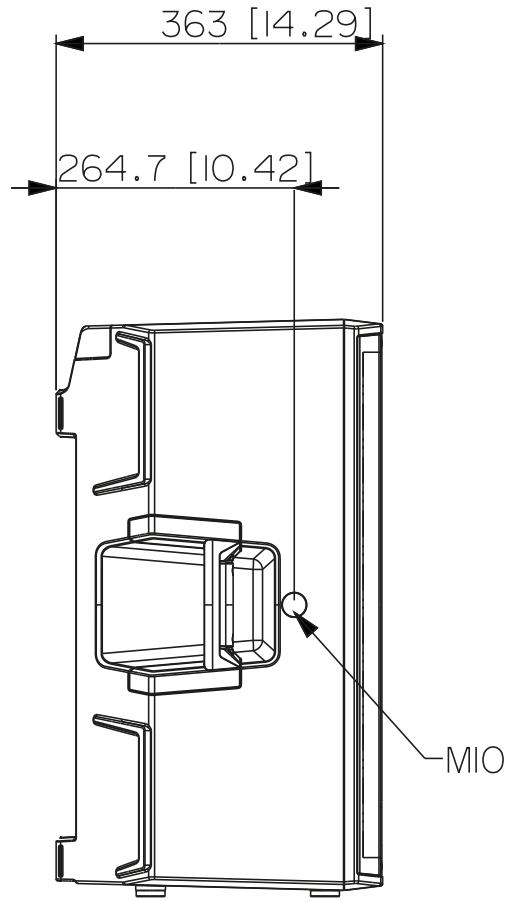
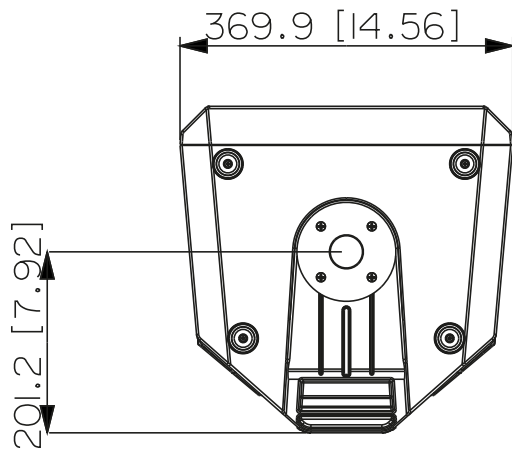


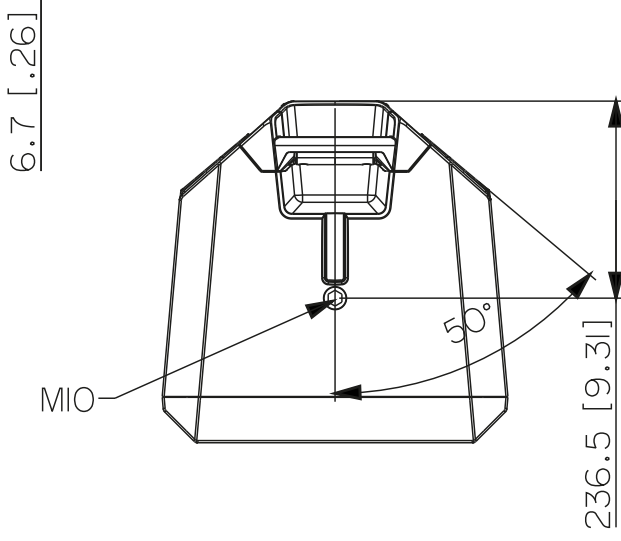
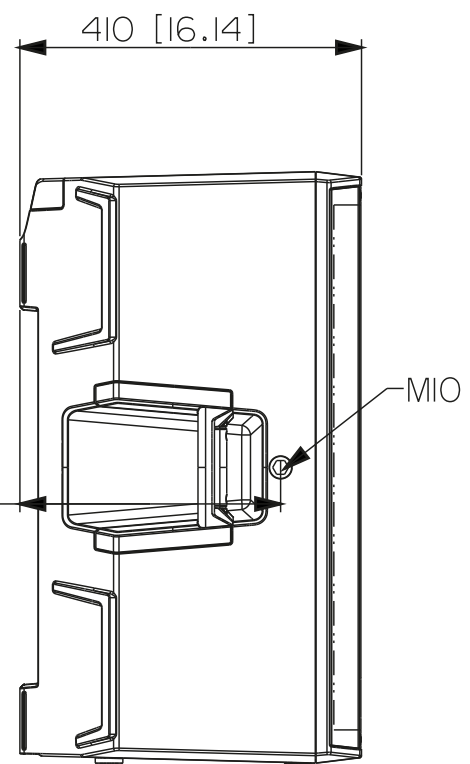
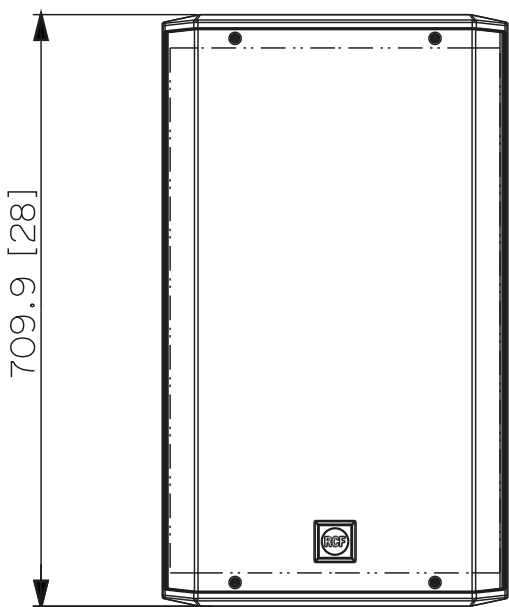
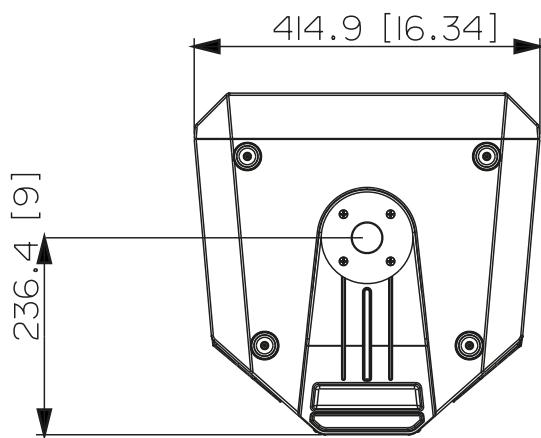
Accessories for HANGING



WARNING! CAUTION! Never suspend the speakers by their handles. Handles are intended for transportation, not for rigging.







Acoustical specifications	COMPACT A 10	COMPACT A 12	COMPACT A 15
Frequency Response (-10dB):	60 Hz ÷ 20000 Hz	55 Hz ÷ 20000 Hz	50 Hz ÷ 20000 Hz
Max SPL @ 1m:	128 dB	129 dB	130 dB
Horizontal coverage angle:	100°	100°	100°
Vertical coverage angle:	60°	60°	60°
System Sensitivity:	97 dB	97 dB	98 dB
<hr/>			
Power section			
Amplification:	Full Range	Full Range	Full Range
Nominal Impedance:	8 ohm	8 ohm	8 ohm
Power Handling:	350 W RMS	400 W RMS	450 W RMS
Peak Power Handling:	1400 W PEAK	1600 W PEAK	1800 W PEAK
Recommended Amplifier:	700 W	800 W	900 W
Protections:	Dynamic Active Mosfet	Dynamic Active Mosfet	Dynamic Active Mosfet
Crossover Frequencies:	1400 Hz	1200 Hz	1200 Hz
<hr/>			
Transducers			
Compression Driver:	1.0", 1.75" v.c	1.0", 1.75" v.c	1.0", 1.75" v.c
Woofer:	10", 2.5" v.c	12", 2.5" v.c	15", 3.0" v.c
<hr/>			
Input/Output section			
Input connectors:	Speakon	Speakon	Speakon
Output connectors:	Speakon	Speakon	Speakon
<hr/>			
Standard compliance			
CE marking:	Yes	Yes	Yes
<hr/>			
Physical specifications			
Cabinet/Case Material:	PP Composite	PP Composite	PP Composite
Hardware:	1 x M10 top and bottom	1 x M10 top, 1 x M10 each side	1 x M10 top, 1 x M10 each side
Handles:	1 top	1 top, 1 each side	1 top, 1 each side
Pole mount/Cap:	Yes	Yes	Yes
Grille:	Steel	Steel	Steel
Color:	Black	Black	Black
<hr/>			
Size			
Height:	572.1 mm / 22.52 inches	641.6 mm / 25.26 inches	716.6 mm / 28.21 inches
Width:	329.9 mm / 12.99 inches	369.9 mm / 14.56 inches	414.9 mm / 16.33 inches
Depth:	310 mm / 12.2 inches	363 mm / 14.29 inches	410 mm / 16.14 inches
Weight:	15.8 kg / 34.83 lbs	19 kg / 41.89 lbs	22 kg / 48.5 lbs