



## cudy WE4000 3000Mbps WiFi 6 + BT 5.0 PCI-E Adapter Installation Guide

[Home](#) » [cudy](#) » cudy WE4000 3000Mbps WiFi 6 + BT 5.0 PCI-E Adapter Installation Guide



### Contents [ [hide](#) ]

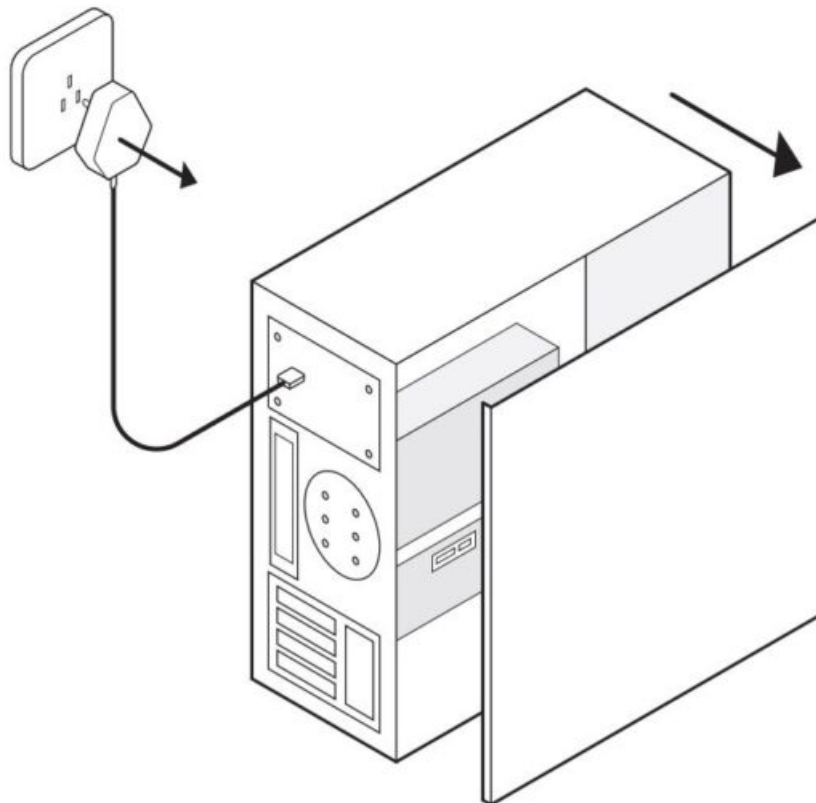
- [1 cudy WE4000 3000Mbps WiFi 6 + BT 5.0 PCI-E Adapter Installation Guide](#)
- [2 Hardware Installation](#)
- [3 Wireless Adapter Driver Installation](#)
- [4 Bluetooth Driver Installation](#)
- [5 Package Content](#)
- [6 Support](#)
- [7 EU Declaration of Conformity](#)
- [8 Documents / Resources](#)
  - [8.1 References](#)
- [9 Related Posts](#)

**cudy WE4000 3000Mbps WiFi 6 + BT 5.0 PCI-E Adapter Installation Guide**

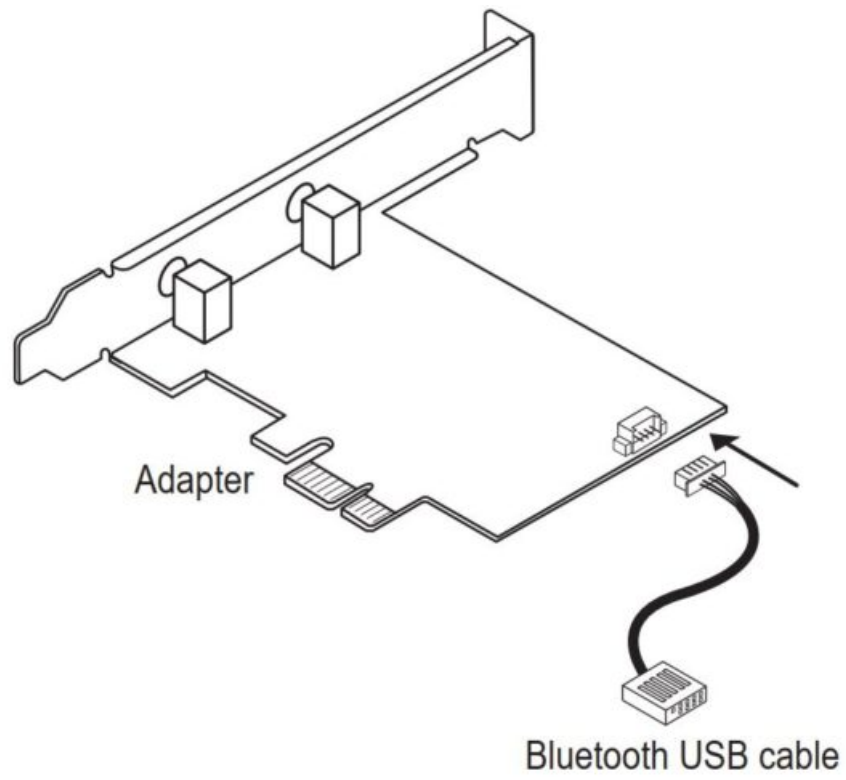


## Hardware Installation

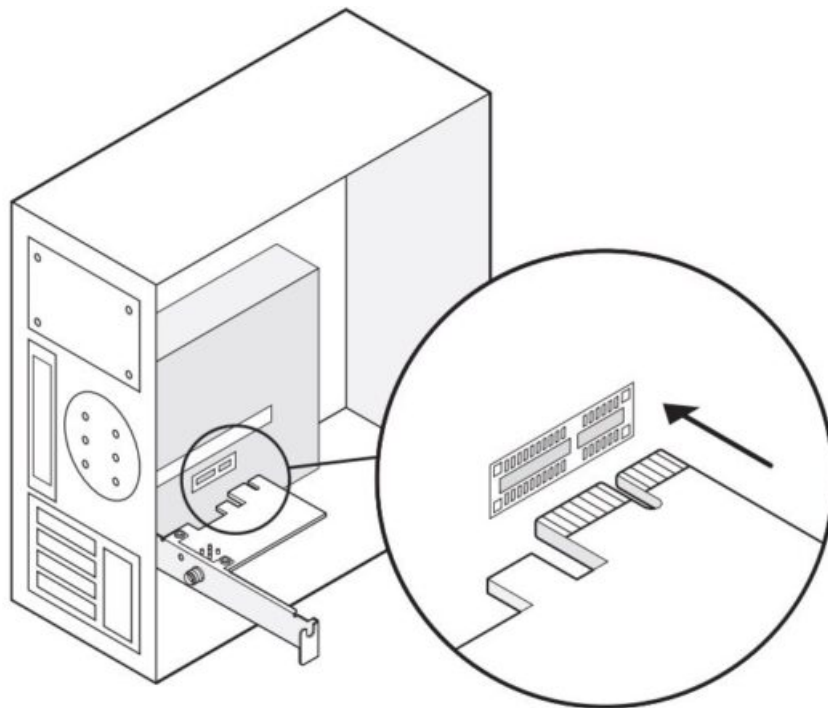
1. Turn off your computer, unplug the power cable then remove the case panel.



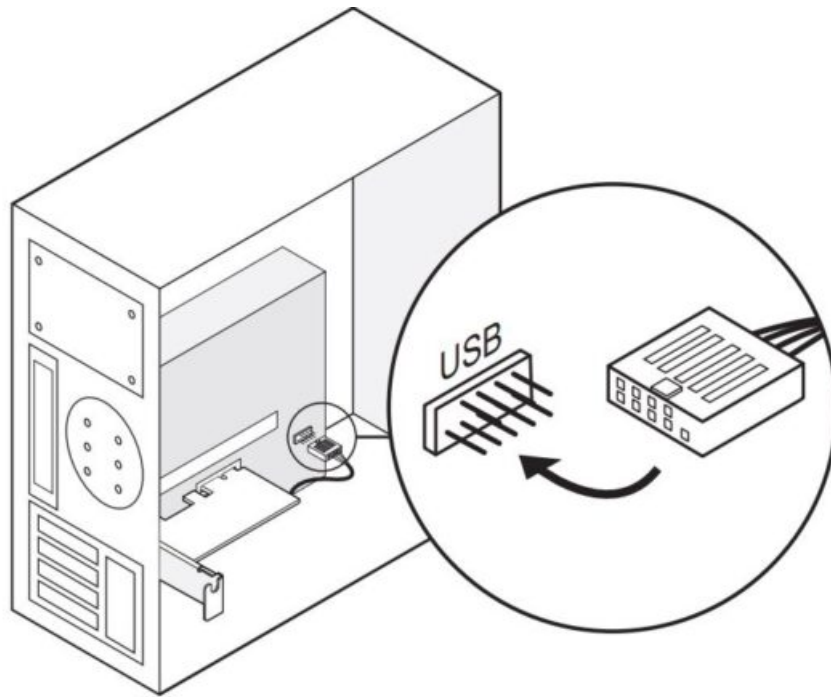
2. Connect the provided Bluetooth USB cable to the adapter.



3. Locate an available PCIE X1 slot and carefully insert the adapter.

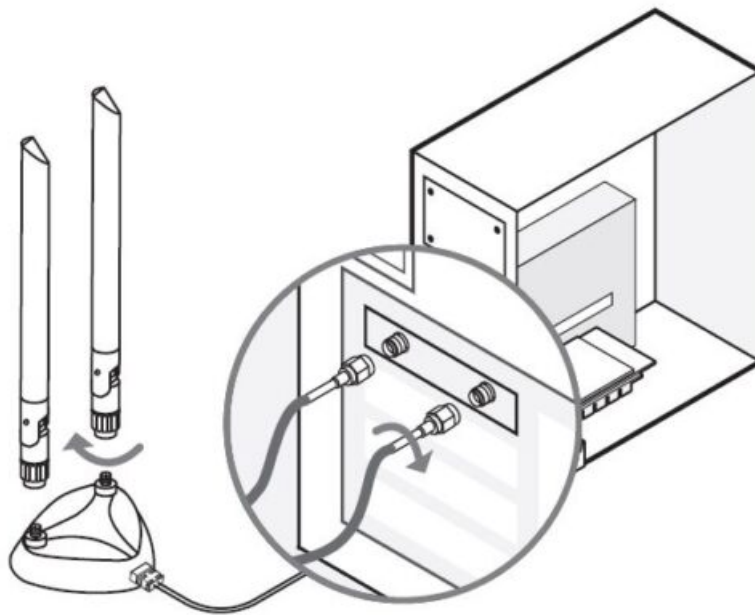


4. Locate an available F\_USB connector and carefully plug the Bluetooth USB cable into it.

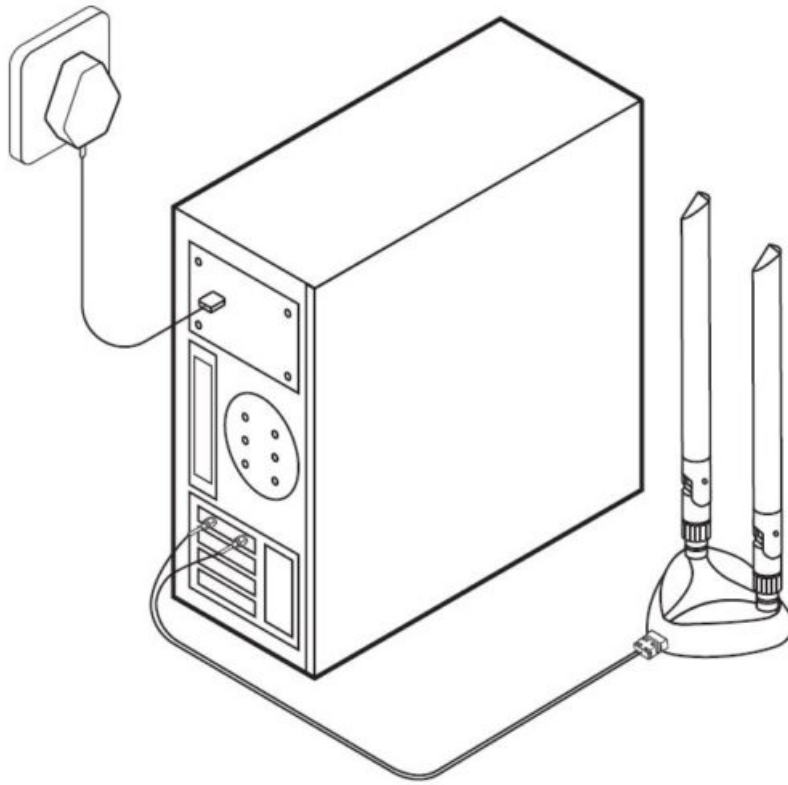


**5. Connect the antennas to the adapter.**

**Tip:** To maximize performance, make sure the path between the antennas and your router is clear.



**6. Replace the case panel, plug in the power cable and turn on your computer.**



## Wireless Adapter Driver Installation

This installation method takes the win10\_64 bit system as an example.

1, Please download the driver according to your operating system from below address:

<https://www.cudy.com/ax210> double-click:

“WiFi-22.1xx.0-Driver64-Win10-Win11.exe” to run the installer to complete the installation.



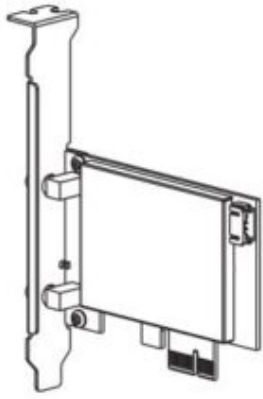
## Bluetooth Driver Installation

Please download the driver according to your operating system from below address:  
<https://www.cudy.com/ax210> double-click:

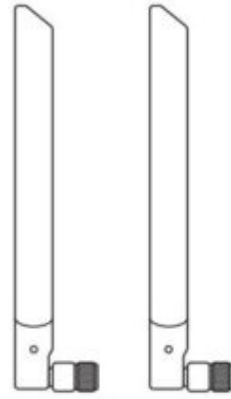
"BT-22.130.0-32-64UWD-Win10-Win11.exe" to run the installer to complete the installation.



## Package Content



Wireless Adapterx1



Antennax2



Antenna Base x1



Bluetooth Cablex1



Low Profile Bracket x1

## Support

For technical support,the user guide and more information, please visit.

<http://www.cudy.com/support>



Email:  
support@cudy.com



Driver & manual:  
www.cudy.com/download



WiFi Driver



Bluetooth Driver



810600156

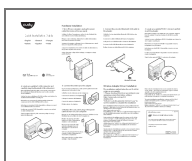
## EU Declaration of Conformity

Cudy hereby declares that the device is in compliance with the essential requirements and other relevant provisions of directives 2014/53/EU, 2015/1863/EU and 2011/65/EU.

The original EU declaration of conformity may be found at <http://www.cudy.com/ce>.

## Read More About This Manual & Download PDF:

### Documents / Resources



[cudy WE4000 3000Mbps WiFi 6 + BT 5.0 PCI-E Adapter](#) [pdf] Installation Guide  
WE4000, 3000Mbps WiFi 6 BT 5.0 PCI-E Adapter, WiFi 6 BT 5.0 PCI-E Adapter, 3000Mbps 5.0  
PCI-E Adapter, 5.0 PCI-E Adapter, PCI-E Adapter, Adapter

## References



- [Cudy Official Website](#)
- [Cudy CE](#)
- [Download Center](#)
- [Cudy Support Center](#)
- [AX210-Download](#)