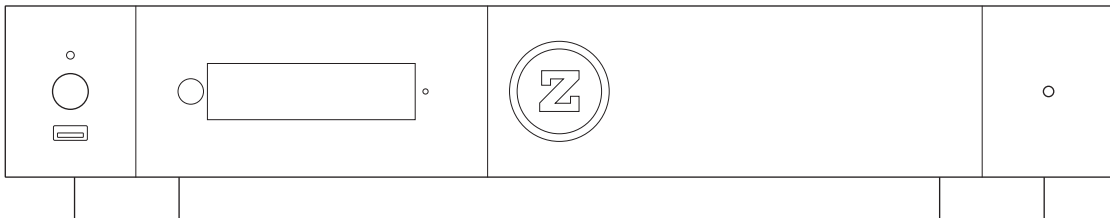


Quick Start Guide
Guide de démarrage rapide

zappitiTM Neo



English • Français



Manufactured under license from Dolby Laboratories.
Dolby and the double-D symbol are trademarks of Dolby Laboratories.



DTS, the Symbol, & DTS and the Symbol together are registered trademarks & DTS 2.0+Digital Out is a trademark of DTS, Inc. Product includes software. © DTS, Inc. All Rights Reserved.

Important Safety Instructions

- 1) Read and keep these instructions.
- 2) Heed all warnings.
- 3) Follow all instructions.
- 4) Do not use this apparatus near water.
- 5) Clean only with dry cloth.
- 6) Do not block any ventilation openings.
- 7) Do not install near any heat sources such as radiators, heat registers, stoves, or other apparatus (including amplifiers) that produce heat.

WARNING:

TO REDUCE THE RISK OF FIRE OR ELECTRIC SHOCK, DO NOT EXPOSE THIS APPLIANCE TO RAIN OR MOISTURE. DANGEROUS HIGH VOLTAGES ARE PRESENT INSIDE THE ENCLOSURE. DO NOT OPEN THE CABINET. REFER SERVICING TO QUALIFIED PERSONNEL ONLY.

THE APPARATUS SHALL NOT BE EXPOSED TO DRIPPING OR SPLASHING AND THAT NO OBJECTS FILLED WITH LIQUIDS, SUCH AS VASES SHALL BE PLACED ON THE APPARATUS.

CAUTION:

DANGER OF EXPLOSION IF BATTERY IS INCORRECTLY REPLACED. REPLACE ONLY WITH THE SAME OR EQUIVALENT TYPE. DO NOT OPEN COVERS AND DO NOT REPAIR YOURSELF. REFER SERVICING TO QUALIFIED PERSONNEL.



This product complies with European Low Voltage (2006/95/CE), Electromagnetic Compatibility (2004/108/EC) and Environmentally-friendly design of Energy-related Products (2009/125/EC) Directives when used and installed according to this instruction manual.

Getting More Information

Due to the regular evolution and the addition of new functionalities, provided by firmware and software updates, it is impossible to cover all functionalities in this user's guide. For this reason, we invite you to visit our online **Zappiti Knowledge Base**. You will find a large amount of tutorials and various help topics concerning the use of the media player and Zappiti applications:

zappiti.uservice.com/knowledgebase

About Zappiti

Zappiti is a French company based in Paris. Zappiti designs and manufactures only professional grade Video Management Systems; delivering the highest quality, outstanding performance, and best possible user experience. The software development & engineering, design and support teams are located in France (Europe).

All of the Zappiti products are designed to provide our end-user customers with convenient and intuitive access to their entire movie library collection, in stunning 4K, High Definition resolution. The award winning Zappiti devices are being successfully used to improve the movie watching experience, in residential and commercial environments all over the globe.

To ensure the ultimate performance, all Zappiti devices are supplied to authorized resellers through a worldwide network of established and well respected distribution partners.

Zappiti products are distributed in over 50 countries worldwide.
More info: zappiti.com



WEEE symbol

Correct Disposal of This Product. (Waste Electrical & Electronic Equipment) Applicable in the European Union and other European countries with separate collection systems.

This marking on the product, accessories or literature indicates that the product and its electronic accessories (e.g. remote handset) should not be disposed of with other household waste at the end of their working life. To prevent possible harm to the environment or human health from uncontrolled waste disposal, please separate these items from other types of household waste and recycle them responsibly to promote the sustainable reuse of material resources.

More info can be found here:

<http://ec.europa.eu>

Table of Contents

4 English Quick Start Guide

- 4 • General, Key Features
- 5 • Organize your Video Collection with Movie Covers
- 6 • Package Contents, HDMI Cable, IR Extender
- 7 • Exterior (Front view, Rear view), Programming buttons to control TV or other device
- 8 • Remote Control, Third Party Control
- 9 • Connecting Your Zappiti to Your TV Without AV Receiver
- 9 • Connecting Your Zappiti to Your TV Through AV Receiver
- 10 • Audio Coaxial and Optical
- 11 • Getting Started, Audio and Video Settings
- 12 • Connecting USB Drives, Using Internal Drive, SD / MMC Cards
- 13 • Ethernet, Wi-Fi, Bluetooth, Ethernet filter
- 14 • Zappiti Video, Zappiti Explorer, How to create an account Zappiti
- 14 • How to Control your Zappiti Using your Tablet / Smartphone
- 15 • Accessing Network Drives And Access To Zappiti Storage
- 15 • How To Transfer Your Files Using Explorer
- 15 • Slideshow Function, Video Properties, Video And Audio Playback Options
- 15 • How To Install A New App, How To Create a Favorite
- 16 • How to Create a Movie Collection in Zappiti Video
- 17 • Zappiti Video (General), Wrong Storage ID Error
- 17 • How to Identify a Movie / Episode, How to Delete a Movie / Episode
- 18 • How to Identify Unidentified Movies & TV Shows
- 18 • 3D, 4K and UHD Files
- 18 • How to Change a Picture (Poster or Background)
- 18 • Zappiti Templates
- 18 • Multiple hard drives
- 19 • Zappiti Soundtrack, Zappiti Soundtrack Editor
- 20 • Parental Control
- 20 • Personal Categories
- 20 • Zappiti On Start-Up
- 20 • Search Engine
- 20 • Sagas / Groups
- 20 • Subtitle Display Options
- 21 • Resume Video Playback
- 21 • Direct Access During Video Playback
- 21 • 3D Option
- 22 • Firmware Upgrade
- 22 • Factory Reset
- 22 • Firmware Restore Procedure Using USB Restore Stick
- 23 • User Support & Zappiti Db
- 23 • Zappiti Store

General

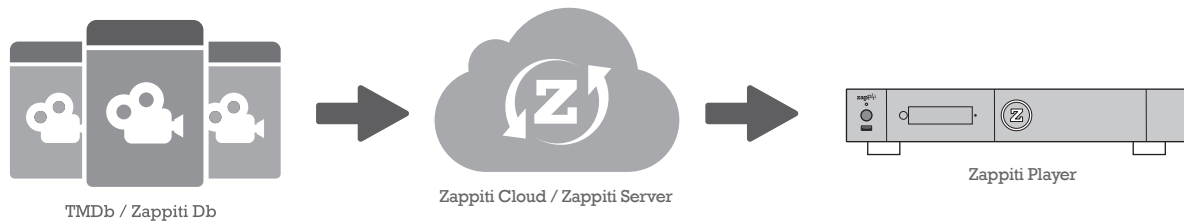
The Zappiti Neo is a media player compatible with HDR10, HDR10+, Dolby Vision that offers Dual HDMI output, internal HDD rack enclosure and 3D capabilities.

Key Features

- **Processor:** Realtek RTD1619DR
- **Memory:** 4GB RAM, 32GB flash
- **HDR:** Display your HDR, HDR10+ and Dolby Vision video content on a compatible display.
- **Video Processing:** Dolby Vision VS10 video processing for the best picture possible.
- **Dual HDMI:** Use the second HDMI to separate audio and video for the best performances.
- **4K 50/60p:** Display your 4K video content in 3840x2160p at 50 Hz or 60 Hz (HDMI 2.0a).
- **MKV Player:** Playback SD, HD and UHD video contents in MKV, M2TS, DVD / BD / UHD ISO and other modern video file containers and formats, including top quality HEVC/H.265 video codec, with very high bit-rates up to 400 Mbp/s.
- **HDD Rack Option with Hot Swap Function:** Easily and quickly insert and exchange internal 3.5" SATA hard drives.
- **Network Player:** Connect your Zappiti on your local network and enjoy your content from a computer PC/MAC or a NAS via SMB.
- **USB Ports:** Conveniently connect hard drives, USB flash drives, USB card readers, computer mouse / keyboard, and other USB storage devices.
- **USB Port 3.1 and Type-C:** Read or copy your files in ultra high speed.
- **Full Range of A/V Connectors:** S/PDIF coaxial and optical audio output, audio analog RCA, RCVBS, HDMI 2.0 CEC, HDMI Audio only, HDMI Input.
- **Multichannel home cinema audio:** Bitstream (RAW), downmix LPCM stereo.
- **Video Output Flexibility:** Output video in any resolution and format including SD, 1080p (1920x1080), Ultra HD (3840x2160p) and true 4K (4096x2160p) up to 12-bit by primary color.
- **Auto Framerate:** Auto framerate detection 24/50/60p (compatible 24.000 Hz / 23.976 Hz).
- **Playback Memory:** Resume playback from the last position.
- **Advanced File Browser:** Convenient file browser with powerful file management (select, select all, copy, cut, past, delete, rename, ...).
- **Backlit Remote Control:** High quality remote control with direct access and shortcuts with backlit buttons and recordable buttons to control another device.
- **WiFi ac 2T2R with 2 removable antennas:** Playback and transfer your video content wirelessly with high bitrate.
- **Widevine L1 DRM:** Watch premium online video services in HD and UHD.
- **SACD (DSD):** Play top quality Super Audio CD (DSD) music files in all any popular formats (ISO, DFF, DSF), including both stereo and multichannel files as well as files which use DST compression.

Vote for future features

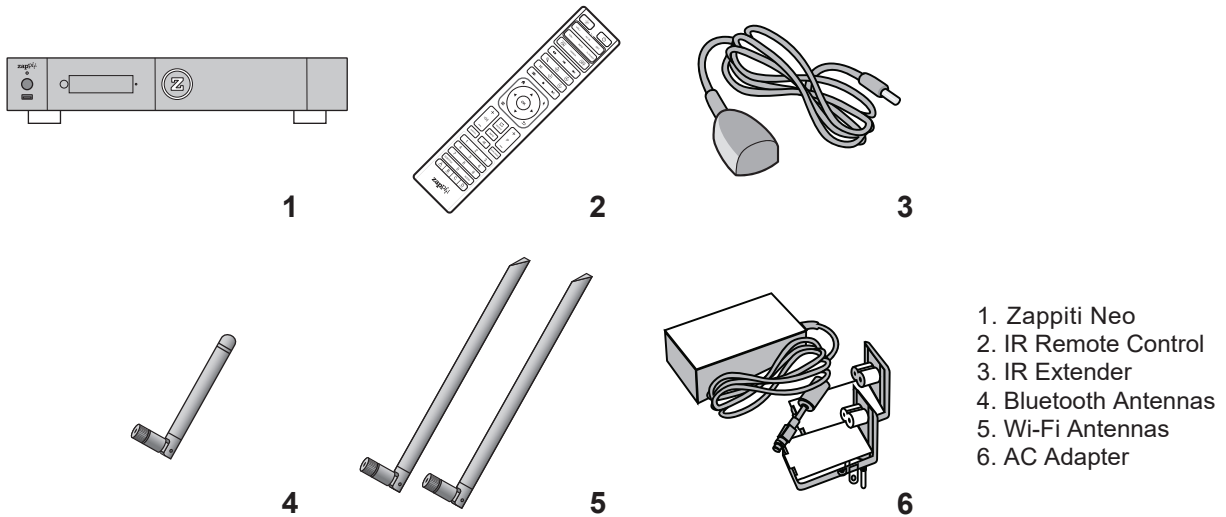
To propose a new feature or vote for an upcoming feature, please visit: zappiti.uservoice.com



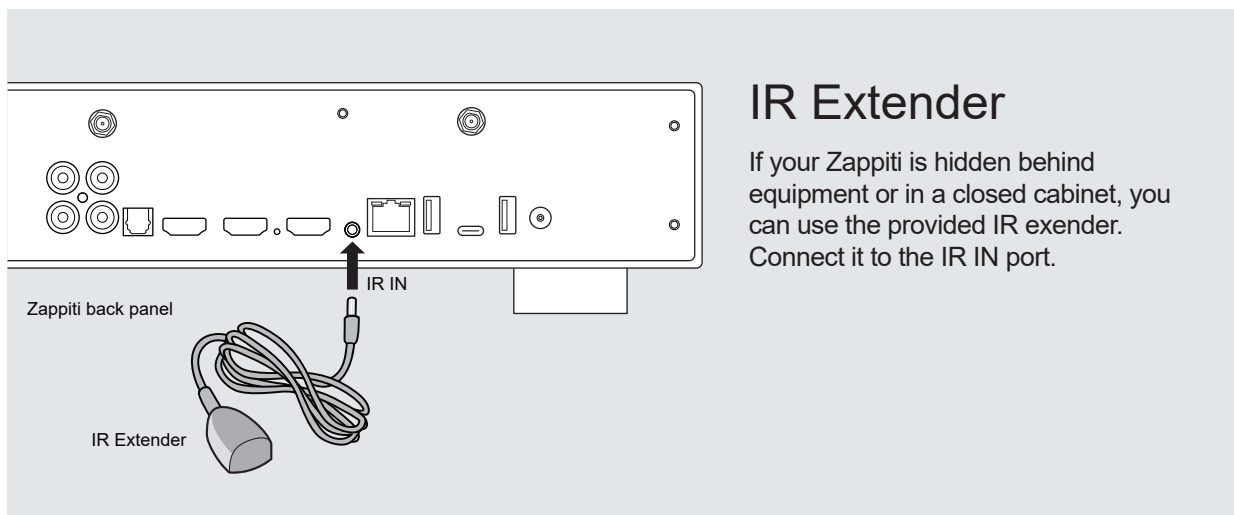
Organize Your Video Collection With Movie Covers

- **Zappiti Video Interface:** Browse your movie and TV show collection with cover art and media information: (subtitles, actors, director, release date...). Zappiti features an automatic category index of movies and TV shows directly to the player, without requiring a computer.
- **Zappiti Search:** Easy access to your movies or TV shows, thanks to Zappiti powerful search engine combined with smart filters (actor, director, length, rating, release date...).
- **Zappiti Stand-Alone:** Add, edit or delete movie covers directly on your Zappiti via the remote control (no PC required). Change the posters, edit the synopsis, change the associate category, create and organize your own personal categories, etc.
- **Zappiti on Start-up:** Enable/disable start-up for Zappiti Video from system boot by Zappiti setting.
- **Zappiti Collections:** Create and manage one collection by each family member or one collection by HDD and switch easily from one collection to another.
- **Parental Control:** With the parental control feature, you can designate movies as "children's" and block access to other movies with a PIN code. Thus, your children can safely access only their movies! In addition, the child mode provides direct access to movies for greater ease of use.
- **Movie Sagas:** The saga films are automatically placed in groups and sorted by release date. A saga cover dedicated to the collection is associated with the group and movies are displayed in a stunning carousel with great 3D motion effects!
- **Automatic Seen Status:** Your films and episodes are automatically marked as "Seen" or "Ongoing" status. And when you finish playing a TV episode, Zappiti automatically offers to launch the next episode!
- **Zappiti Next:** Direct access to the current or next episode / film from saga directly from the Zappiti Video home page.
- **Zappiti Soundtrack:** With the amazing Zappiti Soundtrack, you can explore your collection, while listening to the soundtrack associated with your movies, TV shows and sagas.
- **Zappiti Widescreen:** Set the user interface in 2.35:1 aspect ratio.
- **Zappiti Off-line:** Save a collection locally and use it without any Internet connection.
- **Zappiti Trailers:** Watch the trailer of your movies.
- **Zappiti Bonus Live:** Watch additional contents such as Making Of, Deleted Scenes, Extracts, Reviews, Bloopers, ... The additional contents are regularly updated for more results.
- **Zappiti Sub:** Easily download the subtitle of a movie or TV show episode, directly from the Zappiti.
- **Zappiti Sync:** Thanks to Zappiti Sync, your movie collections are automatically synchronized to your other Zappiti players, tablets, smartphones and to all your computers MAC and PC!
- **Zappiti Explorer:** Zappiti Explorer is the easiest way to launch the playback of most of multimedia files such as UHD, BD and DVD ISO, BDMV, M2TS, MKV, MP4, MOV, MP3, FLAC, JPG... Zappiti Explorer makes file exploration so easy!
- **Zappiti Video Control:** Control your Zappiti and admin your movie collection using your tablet or smartphone (iOS / Android).

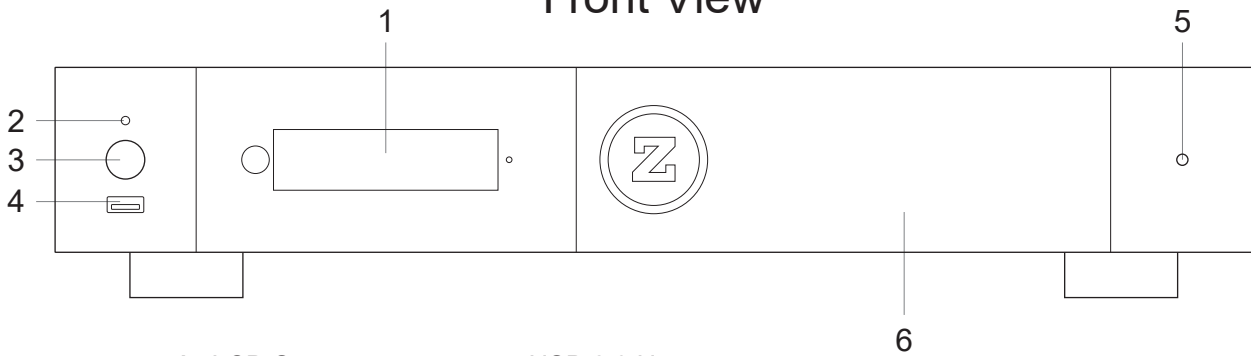
Package Contents



NOTE: Additional items (optional) may be included into the package, depending on player configuration, region, and distributor.

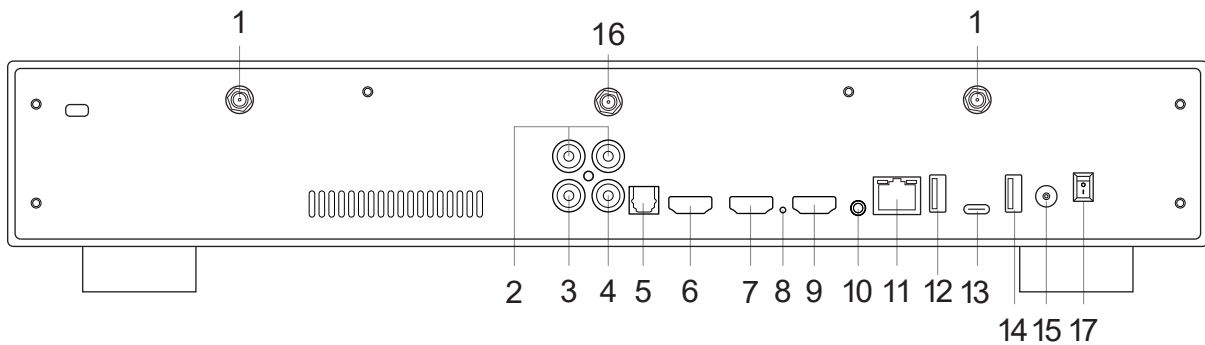


Front View



- | | |
|--------------------------|--|
| 1. LCD Screen | 4. USB 2.0 Host |
| 2. LED Indicator | 5. IR Sensor |
| 3. POWER ON/Sleep | 6. Door of the HDD Rack Enclosure |

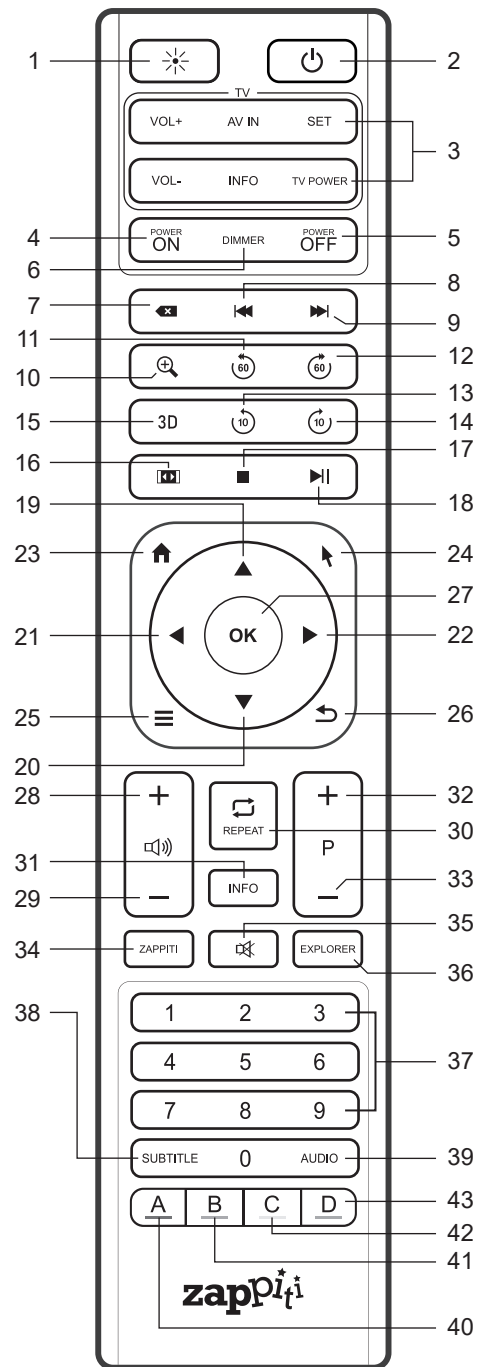
Rear View



- | | |
|--|---|
| 1. Wi-Fi Antenna | 10. IR IN (IR extender included) |
| 2. Analog Audio Output Right / Left | 11. LAN 10/100/1000 |
| 3. Analog Video Output CVBS | 12. USB 2.0 Host |
| 4. Coaxial Digital Audio Output | 13. USB TYPE-C |
| 5. Optical Digital Audio Output | 14. USB 3.1 Host |
| 6. Audio HDMI Output (Audio only) | 15. DC Power 12V 3A |
| 7. Main HDMI Output (Video + Audio) | 16. Bluetooth Antenna |
| 8. Restore | 17. Power ON/OFF |
| 9. HDMI Input | |

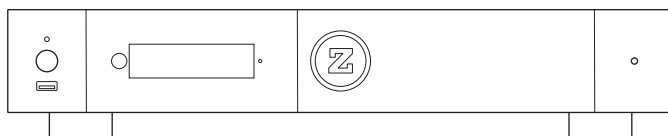
Remote Control

1. **LIGHT:** Turn on the backlight of the remote control.
2. **POWER:** Toggle power ON/OFF.
3. **TV SECTION:** Programmable buttons to control TV or other external device; *For more info, please refer to the previous page.*
- 4-5. **POWER ON/OFF:** Discrete power ON/OFF.
6. **DIMMER:** Toggle front OLED screen ON/OFF (future option).
7. **DELETE:** Delete / Change home template.
- 8-9. **PREV/NEXT:** Go to the previous/next chapter.
10. **ZOOM:** Zoom In / Out (overscan).
- 11-12. **-60/+60:** Timeline navigation (-/+ 60 sec.).
- 13-14. **-10/+10:** Timeline navigation (-/+ 10 sec.).
15. **3D:** Open the 3D settings.
16. **ASP. RATIO:** Switch the Aspect Ratio.
17. **STOP:** Stop video playback.
18. **PLAY/PAUSE:** Start / Pause playback.
- 19-20. **UP:** Next file (Explorer). **DOWN:** Previous file Explorer).
- 21-22. **LEFT/RIGHT:** Timeline navigation (-/+1 min).
23. **HOME:** Go to Main Menu (Home Page).
24. **MOUSE:** Switch to the virtual mouse mode.
25. **MENU:** Show / Hide the pop-up menu.
26. **BACK:** Return or Stop playback.
- 19-22. **ARROWS:** Navigate menu selection.
27. **OK:** Enter or validate the current item.
- 28-29. **VOLUME +/-:** Increase / Decrease volume.
30. **REPEAT:** Repeat playback (file, all, off).
31. **INFO:** Show / Hide the pop-up info (properties).
- 32-33. **PAGE +/-:** Timeline navigation (+/-10 sec).
34. **ZAPPITI:** Zappiti Video shortcut.
35. **MUTE:** Mute audio.
36. **EXPLORER:** Zappiti Explorer shortcut.
37. **NUMBER Buttons:**
 - 1-9: direct access to 10-90% (video playback or movie list).
 - 0: Restart from the beginning (video playback or movie list).
38. **SUBTITLE:** Subtitle switch.
39. **AUDIO:** Audio track switch.
40. **RED (A):** Contextual shortcut.
41. **GREEN (B):** Contextual shortcut.
42. **YELLOW (C):** Contextual shortcut.
43. **BLUE (D):** Contextual shortcut.



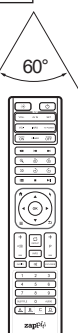
Using the Remote Control

Within about
26 ft (8m)



When using the remote control, the front window of the remote control should be pointed to the infrared sensor on the front panel within an angle of $\pm 60^\circ$ and a range of about 26 ft.

*Please use alkaline batteries.
Please observe polarity when inserting batteries.*



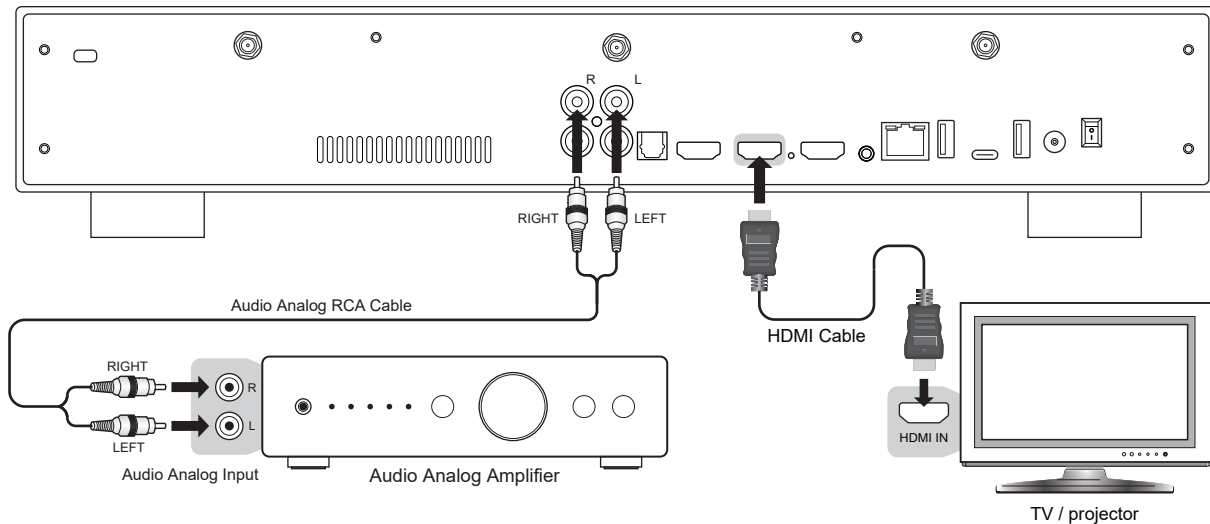
Third Party Control

You can control your Zappiti using third party devices such as Control4, Crestron, RTI, ProControl, Logitech, Pronto, Elan...

More info:
zappiti.uservice.com/knowledgebase

Connecting Your Zappiti to Your TV Without AV Receiver

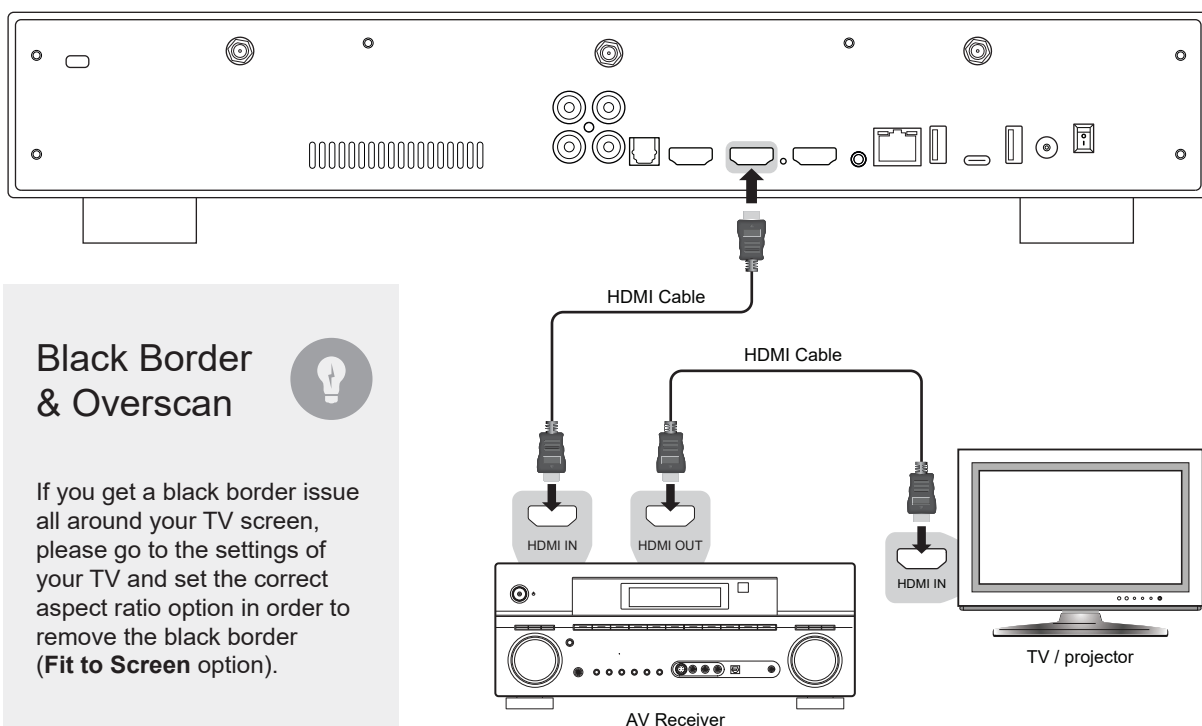
If you do not own an AV Receiver or sound bar, the most convenient and easy way is to connect your Zappiti Neo directly to your TV. To do it, connect the main HDMI output of your Zappiti to a free HDMI input of your TV or your front projector. If you have projector, please use an AV receiver (next procedure) or an audio analog amplifier and connect it to the Zappiti Analog Outputs using RCA connectors.



⚠ If you get a BLUE SCREEN, it is because you are using HDMI Audio Only instead of HDMI Main for the TV.

Connecting Your Zappiti to Your TV Trough AV Receiver

If you own an AV Receiver, the most convenient and easy way is to connect your Zappiti Neo to your TV through your AV receiver or soundbar. To do it, connect the main HDMI output of your Zappiti to a free HDMI input of your AV receiver, then connect the HDMI output of your AV receiver to your TV or your front projector. If your TV is compatible with 4K HDR, your AV receiver also has to be compatible with the 4K HDR format. If not please use the HDMI Audio Only Output as explained on the next page.



Black Border & Overscan

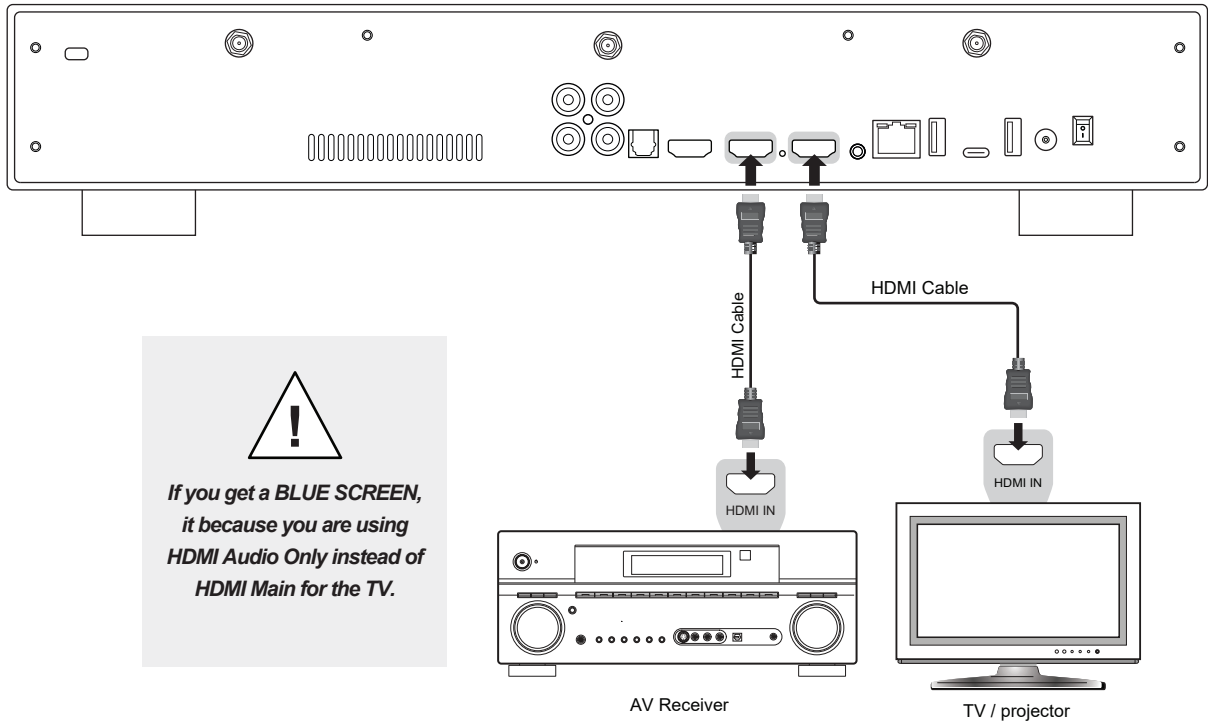


If you get a black border issue all around your TV screen, please go to the settings of your TV and set the correct aspect ratio option in order to remove the black border (**Fit to Screen** option).

AV Receiver

TV / projector

If your AV receiver is not compatible with 4K HDR, please use the HDMI Audio Only output as following:

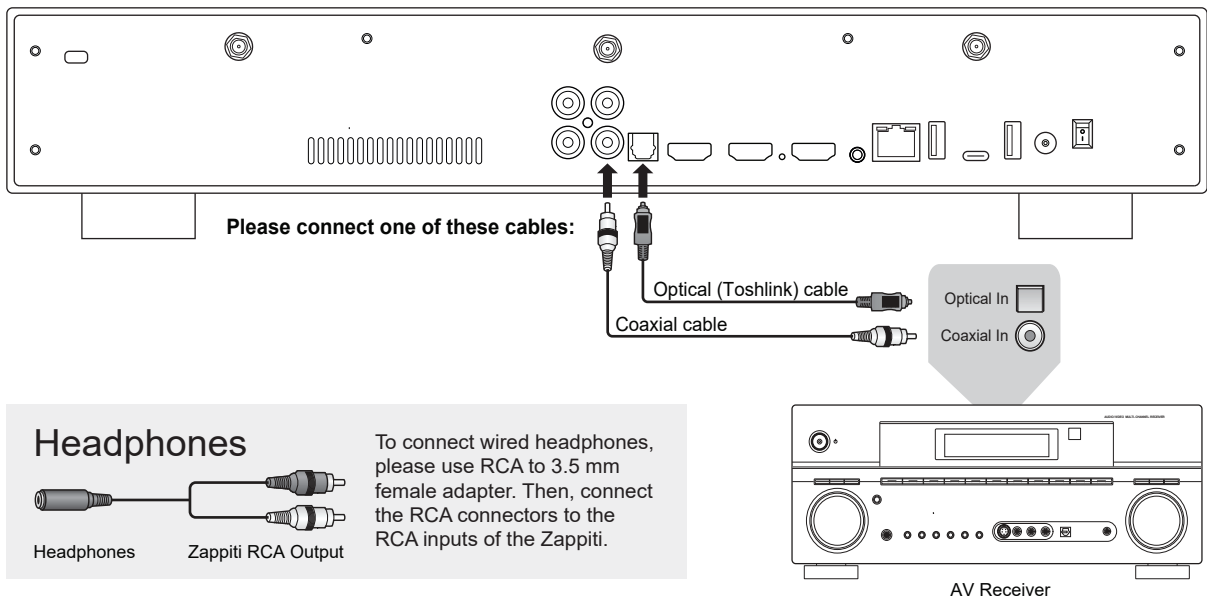


!

If you get a BLUE SCREEN, it because you are using HDMI Audio Only instead of HDMI Main for the TV.

Audio Coaxial and Optical

If your AV receiver is not compatible with HDMI, you can connect your Zappiti to your AV receiver using SPDIF optical (Toslink) or coaxial outputs as following:



Getting Started

⚠ **Make sure to use the HDMI OUT (main) and not HDMI IN output to connect your Zappiti to your TV or video projector.** Plug in and turn on the Zappiti. The player will go through its initial start-up procedure (takes less than one minute).

⚠ **If you experience a black screen or no video signal, please consult the following knowledge base:** zappiti.uservoice.com/knowledgebase

You will then be taken to a quick setup screen. Follow the steps to set the language, resolution, and network access.

Finally, you should see the main screen with access to the Video (cover system), and Explorer applications, among others, as well as **Settings** and **Android Apps**.

To set the default language for audio tracks and subtitles for video content playback, go to **Settings > Playback** and choose your preferred default language for audio tracks and subtitles.

Audio settings

The **Audio** section of the **Settings** menu allows you to set preferences for audio output formats. If you are using an HDMI compatible multi-channel AV receiver, please set the **Digital Audio Connector** option to **HDMI (HD Audio On)**. If your home theater amp / preamp is not HDMI compatible, set the **Digital Audio Connector** option to **S/PDIF (HD audio off)**.

We recommend that you set the **Digital audio output mode option** to **Auto**. But it may be a good idea to select **PCM** mode (with decoding) for certain types of audio formats like AAC if your AV receiver cannot decode this format. **Bitstream** mode always sends the audio stream to your AV receiver in an undecoded way. But in this mode, some audio formats may not work if your AV receiver does not support these formats.

In order to listen to music in lossless or uncompressed format, you can set the **Maximum digital output sample rate** option to **192kHz**. However, please be careful because this mode can generate crackling in the speakers if you use an incompatible 192kHz amplifier or soundbar, or if you do not use an amplifier or soundbar at all (sound from the TV). In this case, select the **Auto** option.

Video settings

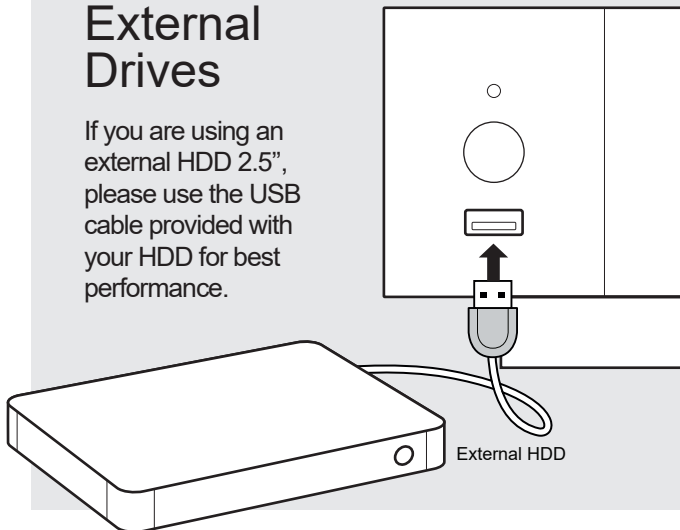
By default, the Zappiti automatically adjusts the video output according to the resolution of your television. It is strongly recommended to leave the resolution settings in **Auto** mode (in **Settings > Video**). If your TV or projector is compatible, we recommend the **Y'CbCr 4:4:4 / 10-bit** or **12-bit** mode for the best video performance. **Warning!** *The higher you move up in the video output specifications, the higher the bit rate will be and will require a quality cable.*

HDR > SDR Conversion

*To benefit from the best SDR performance on HDR content, we invite you to go to **Settings > Video > HDR and Dolby Vision Settings** and select the **Dolby VS10 engine for HDR, DV video** option. In some cases, the picture could be washed out. In this case, go to **Settings > System > Video > HDMI Range Mode > Full Range**. If you do not apply this setting.*

External Drives

If you are using an external HDD 2.5", please use the USB cable provided with your HDD for best performance.



Connecting USB Drives

You can connect your USB drives to one of the available USB ports. If you want to play video files, USB 2.0 is enough to support very high bitrate (up to 480 Mbps) and more reliable than USB 3.0. If you want to transfer files, you can use the USB 3.1 or USB Type-C ports.

Note: A dedicated USB icon located on the home page can help you detect if the drive is properly connected.

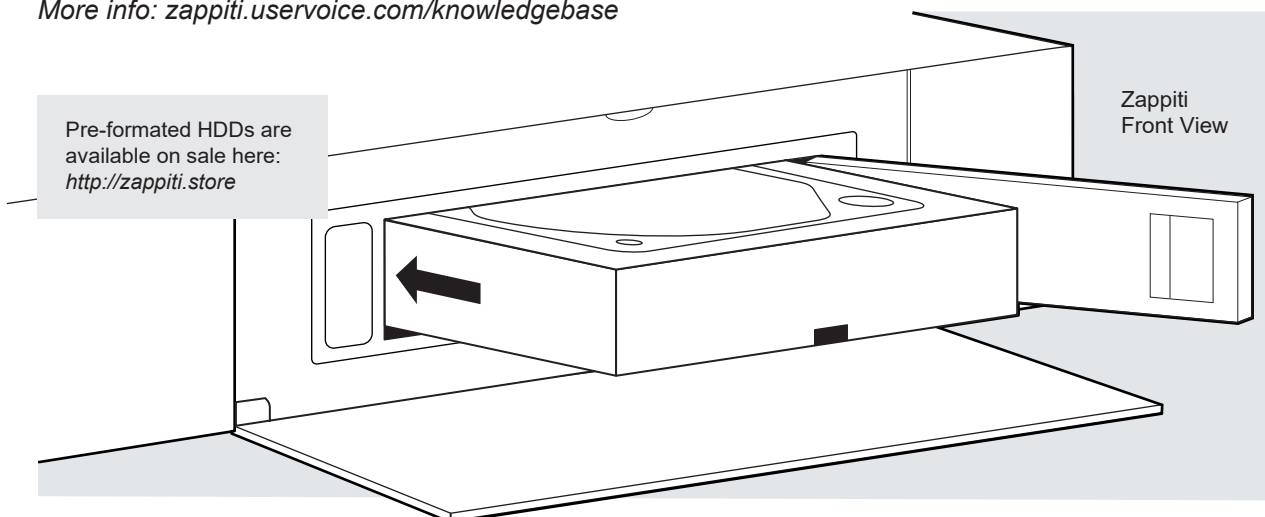
Power provided by USB ports may not be enough to allow the USB drive to function correctly; depending on the drive. Please do not disconnect or switch off the USB drive during write (copy / transfer) operations.

The Zappiti is compatible with **UASP HDD docking stations** as well as **USB hubs**.

Using Internal Drive

To insert the internal 3.5" SATA HDD, please open the rack door, then insert the drive into the internal enclosure until 3/4, then complete the installation by closing the door. This operation will complete the installation of the disk into the rack. The Zappiti media player is compatible with drives formatted in FAT16/FAT32 (read-write), EXT2/EXT3/EXT4 (read-write), NTFS (read-write), exFAT (read-write), HFS/HFS+ (Mac OS Standard/Extended) (read-only), BTRFS (read-write). It is possible to format your hard drive via Zappiti Explorer via Menu / Format.

More info: zappiti.uservice.com/knowledgebase



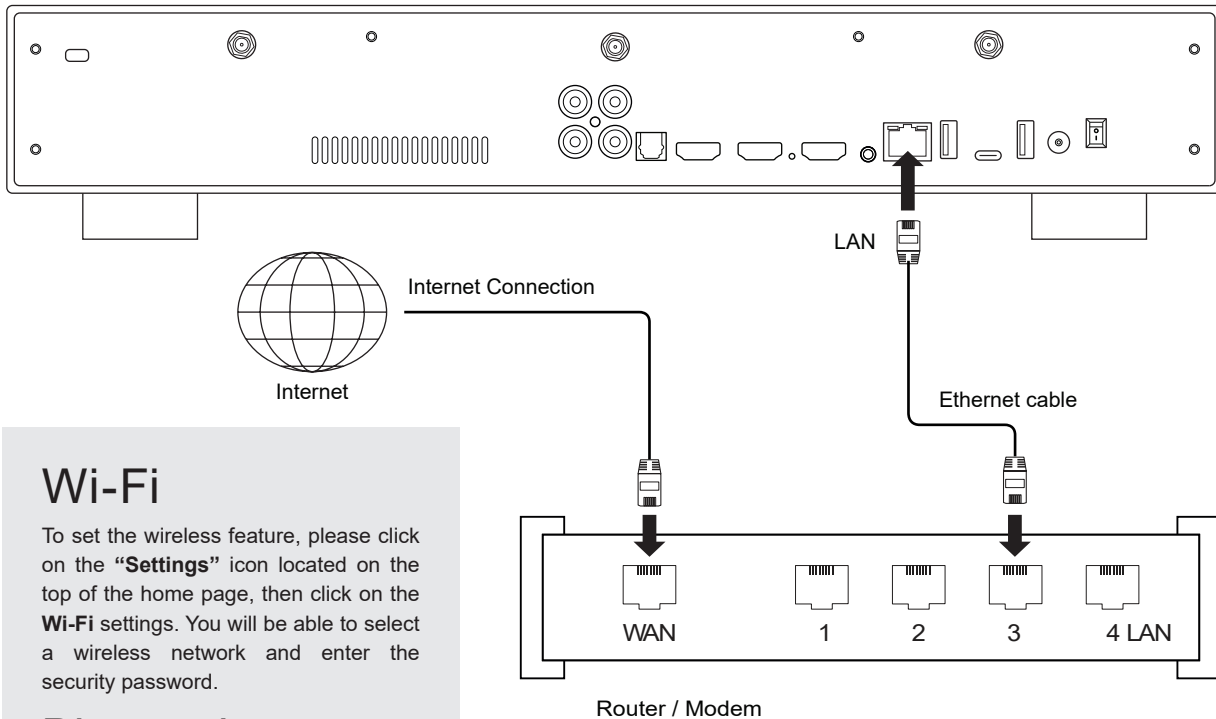
Open the tray and insert the HDD, keeping the connectors inside the bay.

Using SD / MMC Memory Cards

To use a memory card, insert it in the memory card slot located on the left side of the media player. It will be detected as USB device (USB icon on the home page). Some SD memory cards may not be recognized by the player or may work incorrectly ; in such case, please use a different model of memory card.

Ethernet

The Zappiti provides two network connection methods: through Ethernet cable or through the built-in wireless LAN adapter. For the fastest and most stable network connection, we recommend using an Ethernet cable whenever possible. Plug one end of a network cable (straight Ethernet cable) into the **LAN port** on the back of the Zappiti (Category 5E or more). Then, plug the other end of the network cable into a LAN port on the broadband router or modem (or switch if you are using one).



Wi-Fi

To set the wireless feature, please click on the “**Settings**” icon located on the top of the home page, then click on the **Wi-Fi** settings. You will be able to select a wireless network and enter the security password.

Bluetooth

The Zappiti player is compatible with devices using Bluetooth technology. To access the list of Bluetooth-enabled devices, go to **Settings / Bluetooth**. Then switch the option to “**On**”.

Ethernet Switch

For better result, we advise you to use high-fidelity or medical switch.

Use the RC buttons UP, DOWN, LEFT, RIGHT, OK, RETURN to navigate through the player menu. Use the **MENU** RC button to show the list of available commands. Use the **INFO** RC button during playback to show the INFO panel.

The Home Page features 2 main applications: **Zappiti Explorer**, and **Zappiti Video**.

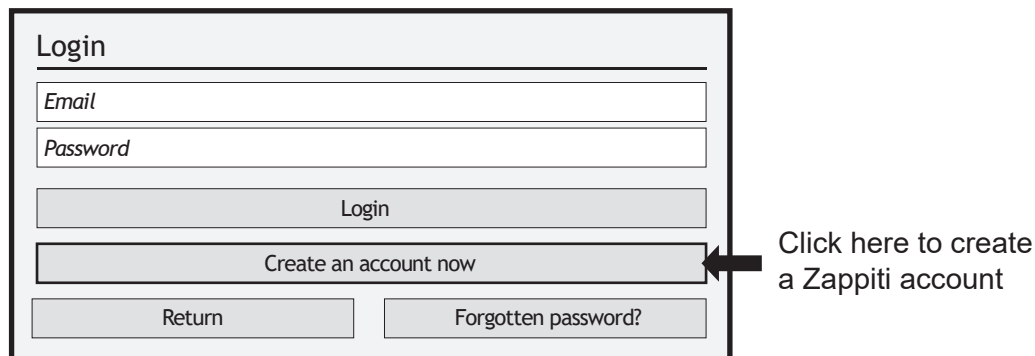
Zappiti Explorer

Zappiti Explorer is a File Manager. You can easily explore and launch playback of your music, pictures and video content. But Zappiti Explorer is more than just a file explorer — it also provides many advanced multimedia features and a complete file management system.

Zappiti Video

Zappiti Video is a media player, software and entertainment hub, featuring an impressive user interface with movie covers. With Zappiti Video, you can experience your entire movie and TV series collection, browse and play your titles from local and network storage media, view cast information, download subtitles, play trailers and much more.

In order to start using the Zappiti Video apps, you have to create a Zappiti account and register your device. First, connect your media player to Internet through Wi-Fi or Ethernet. Please launch one app and select your language. Then, follow the on-screen instructions. If you have never used Zappiti before and if you don't have any Zappiti account, please click on **Create an account now**.



Click here to create a Zappiti account

Then you will be prompted to enter your Zappiti Token number. The Token number is printed on a sticker stuck under the housing of the Zappiti player. You will only have to enter it once. Then all your account information will be saved in the internal memory of the media player. Zappiti needs this information in order to be able to register your collection (only the covers and not the films) on your Cloud account which is provided free of charge by Zappiti. The Zappiti Cloud allows you to preserve your collection. In the event of a device failure, or the purchase of a more high-end Zappiti player, all you need to do is enter your credentials to access your collection and recover everything identically. The Zappiti Cloud also offers multiroom feature to access your collection of movies and shows from other players in the house.

How to Control your Zappiti Using your Tablet / Smartphone

You can also control the Video playback using the dedicated app Zappiti Media Control available for iOS and Android. To install them, switch on your tablet or smartphone, then go to the Play Store (Android) or App Store and search them using **Zappiti control** keywords. Then, launch the app and enter your zappiti account credentials. You will be able to control and edit your video contents.

More info on: <https://zappiti.uservice.com/knowledgebase>

Accessing Network Drives And Access To Zappiti Storage

The Zappiti media player features a Samba client (SMB) to explore and playback your videos, pictures and music, located on your local network (NAS, computers, ...). The SMB Server is activated by default. You can access your Zappiti entering **\\ZAPPITINEO** in the explorer of your computer or using the Zappiti IP address as following: **\\192.168.1.15** (for instance). To find the IP address of your Zappiti, go to: **SETTINGS / Ethernet Configuration**. Then, enter **guest** as login and password.

More info about network access here: zappiti.uservoice.com/knowledgebase

The Zappiti media player also features a function called **Zappiti Share**, based on Samba server technology. This allows you to access your video, pictures and music content, located on internal HDDs (or local drive connected in USB to the media player) from another Zappiti player through your local network. You can playback video contents, in 5 different rooms simultaneously, equipped with Zappiti media players. Thanks to **Zappiti Share**, a NAS server or computer is not required to stream your media content in different rooms of your home. To use Zappiti Share, please select **Zappiti Share** instead of **Local drive** in the **Zappiti Video Folder Configuration**.

How To Transfer Your Files Using Explorer

Zappiti Explorer is a File Explorer as well as a complete file manager offering functions such as: Copy, Cut, Paste, Select, Select All, Delete and Rename. To access these functions, press the **MENU** button of the Zappiti remote control.

Slideshow Function

Zappiti Explorer offers a slideshow function with cross fades and transition effects. To manage the **Slide show delay** and **Transitions effect**, go to **Setup > Applications > Photo Viewer**. To access the Zoom options, press **Zoom** button. Then, press **1 time** for **Fit to Screen**, **2 times** for **Pixel to Pixel**, **3 times** for **Custom options**. Then, use **P+/-** to **Zoom In/Out** and **Arrows buttons** to move the focus. Press **Pause** button to pause the slideshow and press **Play** to **pause/play** the slideshow. Press **OK** to display the list of the pictures and direct access to any one of them. On this screen, press **7** for **Repeat** and **8** for **Shuffle** options.

Video Properties

To view the complete technical information of the file being played, press the **INFO** button on the remote control. You will find in particular, the datarate, framerate, video and audio codec and format, size, resolution, and more...

Video And Audio Playback Options

During playback, the **MENU** button on the remote control provides access to various video and audio playback options such as direct access to a precise playback position in time, zoom and ratio options, etc.

Zappiti NAS Statistics & options

The Zappiti Video **MENU** provides access to the statistics of the Zappiti NAS (temperature of the drives, available space...) as well as music encoding options (MP3, AAC, and FLAC).

How To Install A New App

To install a new app, please go to **Android Apps / Aptoidetv**. You'll find many apps dedicated to media players that can be controlled by RC. You can also use **GooglePlay** but some apps may not be compatible with the Zappiti. If you want to install an **APK** from a USB stick, please use **Zappiti Explorer**.

How to add a Favorite

To add movie or a folder as favorite, press **Menu** and select **Add to favorite** to add it to the favorite section.

How to Create a Movie Collection in Zappiti Video

Before starting, you must create a folder named **MOVIE** on your HDD. Then, place all your movies inside this folder. If you have TV shows, place them in a dedicated folder named **TV SHOWS**.

Movies

1. On your NAS or HDD, please create a movie folder named **MOVIES**. Place all your movie files in it.
2. Your files should be named with the title of each movie. For example, the file of the movie "Metropolis" should be named "Metropolis.mkv". You can create subfolders in the folder **MOVIES** if you want.

TV Shows / TV Series

1. On your NAS or HDD, please create a folder named **TV SHOWS**.
2. Then, create a subfolder for each TV Shows. You can create a subfolder for each season if you want. Then, place all your TV Show episodes in it.
3. Your episodes must be named as: "TVShowName s01e01" ("TVShowName 1x01" also supported). For the special episodes, please name them as: "s00e01".

The screenshot shows a 'Connection' window with the following fields and buttons:

- Zappiti Accounts: my.email@mailbox.com
- Zappiti Servers: Zappiti Cloud
- Collections: Collection 1
- Connection button (highlighted with an arrow)

Start your Zappiti. On the main page, click on the first button named **VIDEO**. Choose your language and enter your login. *If you do not have any Zappiti account, please go to the page 11.*

Then, click on the button **Connection** located on the bottom of the window.

On the **Folder configuration** window, please click on **Add a folder containing movies** (or TV Shows). If your files are located on a local storage, please click on **Local drives**. If you want to share your video contents with others Zappiti players though your local network, click on **Zappiti Share**. Then click on the storage name. Next, browse it and go inside the Movies (or TV Shows) folder. Finally, when you are in the folder **MOVIES** (or TV SHOWS) click on **Add this folder** button located on the top of the window.

WARNING! Do not add all your subfolders. You should just add your "MOVIES" folder containing all your movies. If you own a NAS, please place your folders MOVIES and TV SHOWS inside the shared folder VIDEO. Do not place your folders MOVIES and TV SHOWS in the root folder of your NAS.

Your folder will be added in the MOVIE folder list (or TV SHOW). You can check the path by looking on the **generated path** located between "MOVIES" button and **EDIT** button. Your path should stop to the "MOVIES" folder (or "FILMS" folder). If your path is incorrect, you can modify it by using the **Edit** button. Press **Delete** button to delete the folder from Zappiti. (*Don't worry! Your movies will not be deleted*). If you want to add another folder containing movies or TV Shows, please click on the dedicated button.

The screenshot shows a 'Folders' window with the following elements:

- Movies folder: /storage/HDD/Films (Storage ID: fs3sho54suey-ya55t4st7e-syot563lj3a) with Edit and Delete buttons.
- Add a folder containing movies button (highlighted with an arrow)
- Add a folder containing TV shows button
- Add a folder containing personal movies button

Then, press **RETURN** if you don't want to add another folder containing movies. Zappiti will start to scan your folders and analyse your video contents. You can see the current scan task in a dedicated panel. To close the current task panel, press the **RETURN** button of your RC. If you close it, you can display it again through the **MENU** button of your RC.

Done! Now you can enjoy your Zappiti collection! To access to the configuration panel again, press the **MENU** button on your remote control. In the configuration panel, you'll find many options such as: language (GUI and identification), translations, templates, top movie cover, glass effect, parental control, identification on startup and other options, terms to exclude, token and other account administration.

More info here: zappiti.userservice.com/knowledgebase

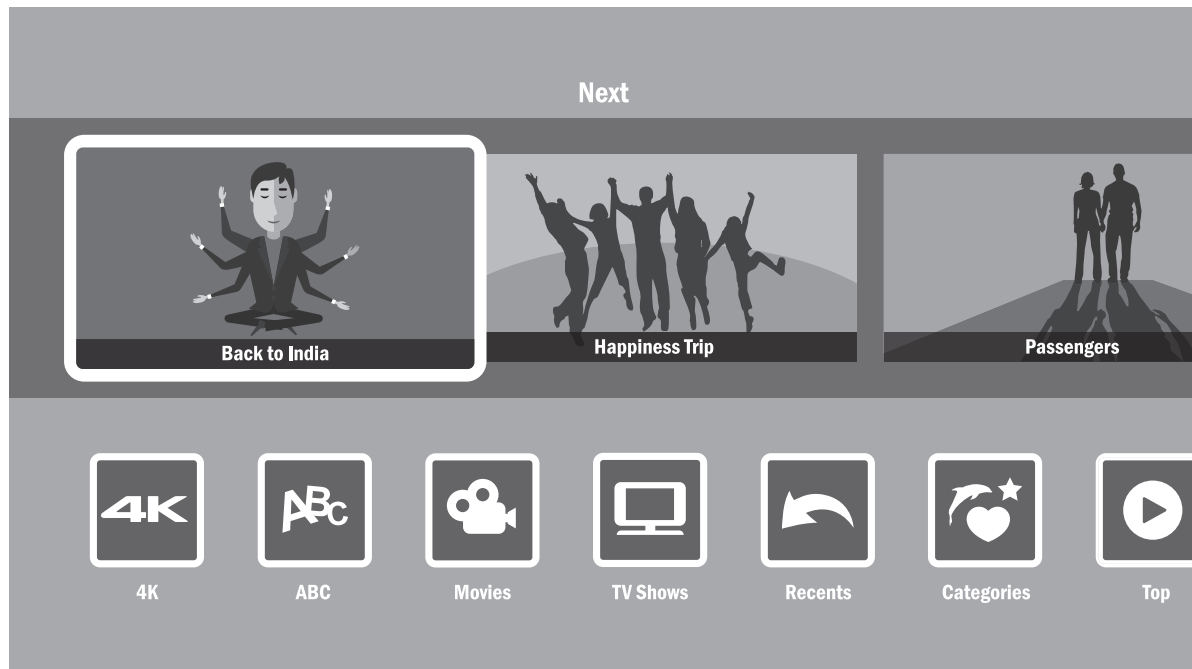
Zappiti Video

The homepage of Zappiti Video is composed of 2 parts. The lower part offers access buttons to modules. By default, a number of modules are displayed such as: **ALL**, **MOVIES**, **SERIES**, **RECENT**, **CATEGORIES**, ... It is possible to delete or add modules using the **MENU** button on the remote control. It is also possible to display the contents of a module or category at your choice in the upper part (showcase). By default, the **NEXT** module is proposed. This module displays the movies or episodes currently playing. In case you have completed a TV episode, the following episode is proposed. In the case of a saga, the following movie is displayed. To delete an episode or movie from the **NEXT** module, select it and press the **MENU** button and click **Remove from Showcase**.

```
/storage/HDD/Films
Storage ID: 0000000000000000
```

If you get a wrong storage ID with « 000000000 », it means that Zappiti cannot write on the drive due a defective sector. Please format it again.

To access to additional features, press **MENU** button of your RC.



How to Identify a Movie / Episode

When you add a movie file to your **Movies** folder, Zappiti will automatically index it during the next restart of the application. To force the identification process, please press **MENU** of your Zappiti remote control, then click on **Identify** option.



Identification



Start identification ←



No video to identify

How to Delete a Movie / Episode

When you delete a movie file from your 'Movies' folder, Zappiti automatically removes its cover and descriptive page from your Zappiti collection during the next analysis. You can manually remove a movie using the **Delete** option located in the Zappiti menu (contextual actions).



Edition



Delete... ←



How to Identify Unidentified Movies & TV Shows

Even if your files are not named correctly with the name of the film (or TV show), Zappiti can identify it but only if a Zappiti user previously identified it manually. If you are living in a country where Zappiti is not yet popular, which could happen often at the beginning, mostly if you are using a Zappiti NAS Rip because the generated files are rarely named correctly. But day after day, Zappiti Db will become more and more reliable as users will manually identify files of movies and TV series.

Press **MENU** of the RC and select **X to Identify**. You'll see the list of the files that are not identified. Then, click on the button named **Identify...** On the **Identify window**, please enter again the movie name.

You can also enter the IMDb, TMDb or TVDb ID code to identify your movie or your TV show. On TMDb, TVDb or IMDb, the ID code is located in the URL of the movie page. For instance, the URL of the movie "Metropolis" will be "http://www.imdb.com/title/tt0017136/". Enter the ID number "**tt0017136**" into the field instead of the title name. Then press the "Search" button. Zappiti will find the right movie at 100%. If your movie or TV show does not exist on TMDb or TVDb, you can add it by creating an account on it.

3D, 4K and UHD Files

The 3D BD ISO, UHD ISO and 4K ISO files as well as BDMV folders for 3D and 4K UHD cannot be always identified automatically. In this case, to identify these containers, please add the following tags in the name as follows:

3D Files: "3D". (For example: "Metropolis.3D.iso").

UHD Files: "UHD" or "ULTRAHD" or "ULTRA-HD". (For example: "Metropolis.UHD.iso").

4K Files: "4K" or "4096" (For example: "Metropolis.2160x4096.iso").

How to Change a Picture (Poster or Background)

To change the poster or the background of a movie or TV show, press **MENU** button of your remote control, then click on **Change the picture** option using **OK** button of your Zappiti remote control. Then, click on the poster or background of your choice. If you see a Zappiti Db banner, it means that this picture is part of Zappiti movie cover database. If you have installed Zappiti Video on a Mac or PC, you can find additional option on this window that allow you to add a picture from your hard drive.

Zappiti Templates

To change the graphical template or to use the classic display from the previous version of Zappiti Video (Zappiti Media Center), please go to **MENU / Configuration / Second Tab / Template**.

To change the graphical template of the home page and the settings, go to **Setup / Appearance / Skin**.

Multiple Hard Drives

Zappiti Video is able to mix the content of several sources. For instance, one collection can contain movies located on 2 hard drives and one NAS. If you are using multiple hard drives, Zappiti is able to detect if the drives are accessible or not. When you launch a movie but the drive containing the movie is not connected, Zappiti will show a popup window asking to insert the dedicated drive.

Parental Control

To tag a movie as **Allow for children**, select a movie (or a group of movies), then press the **MENU** button on the RC and click on **Allow for children**. Then, enter a 4-digit pin code.

Parental code

Please enter a 4-digit pin code.
This code will allow you to lock your collection and restrict access to movie tagged "Allowed for children".

* * 7 □

Cancel

Personal Categories

By default, the movies and TV shows are automatically associated to categories. But you can create your own categories and associate manually your movies. To create a category, go to **Categories**, then press **MENU** and click on **Create a category**. Then, enter a name and choose an icon. The contextual menu gives also access to additional options such as: **modify the position**, **edit** or **remove**.



Zappiti On Start-Up

To activate this function, press **MENU**, then go to **Settings**, click on the **second tab** and switch **ON** the option in the list.

Auto-start

Auto launch Zappiti on start-up
↑

Filter and Sort

To sort your movies, press **MENU**, then go to Filter and sort. Then click on the **first item**. Then select the sorting: **A to Z**, **Z to A**, **Release date**, **Duration**, **Addition...** To filter your movies, please click the following options: **Seen**, **Ongoing**, or **Not seen**.

Filters

↕ Decreasing Release date
 Seen videos
 Ongoing videos
 Not seen videos

Search Engine

To search a movie, TV show or even movies from specific actor or director, press **MENU**, then on the first row, click on the search engine. Then, enter your search (title, actor, director). The results will be filtered by **Movie**, **TV Show**, **Actor** and **Director**.

Sagas / Groups

The films from sagas are automatically placed in groups and sorted by release date. A saga cover dedicated to the collection is associated with the group and movies are displayed in a stunning carousel with great 3D motion effects!

Widescreen 2.35:1 Mode

To set the GUI of Zappiti Video in **2.35:1 mode**, press **MENU** button, then go to **Collection** column and go to **Settings** (Configuration). Then go to **Tools** > Theme and select the variation of the Theme dedicated to the **2.35:1** aspect ratio (**Two lines 2.35:1** or **Three lines 2.35:1**). Then, if needed, you can adjust the overscan to perfectly fit your screen. In order to achieve this, press **MENU**, go to Various column, then go to **Overscan**.


Show Special Top Banner

Zappiti is able to auto detect some formats and to add top banner such as 4K Ultra HD Blu-ray, Blu-ray or DVD. But it is also possible to add special top banners such as Director's Cut, Special Edition, Disc 2, Bonus Disc, and many others. To add a special top banner on a cover, press **MENU**, then go to **Edit**, then go to the second tab **Technical Information**, then go to **Special Banner** and select the special banner you want to associate with your cover.

Subtitle Display Options During Playback

To change the subtitle display options such as vertical position, size and color, press the **Subtitle** button on the Zappiti remote control during video playback, then go to **Settings** and change the desired option. To change the **vertical position**, use the buttons **UP / DOWN**. To change the **size**, use the buttons **P+ / P-**. To change the **color**, use the buttons **1-6**. To add external subtitle, please use the same name as the video file as follows: *Metropolis.mkv / Metropolis.srt*

Zoom and Aspect Ratio Settings During Playback

To modify the aspect ratio or to zoom on the picture during playback, press the defollowing button: 

Media Info During Playback

To display the media info and and various info such as the bitrate, the resolution, the frequency, etc., please press **INFO** button during playback.

Generate a CSV File From a Zappiti Collection

If you want to extract all the data from your collection for processing in an external management software or Excel table, this feature should be able to help you. In order to generate a .csv file from your collection, press the **MENU** button on your remote control, and go to **Settings**. Then, in the second tab, scroll down to select **Generate a .csv file from the collection**. A CSV file will be sent to the email adress of your Zappiti account.

Add a Category in the Showcase

On the Zappiti Video homepage, press the **MENU** button on your remote control, and go to **Add a module in the showcase**. Choose from the list of modules the category you want to highlight in the showcase.

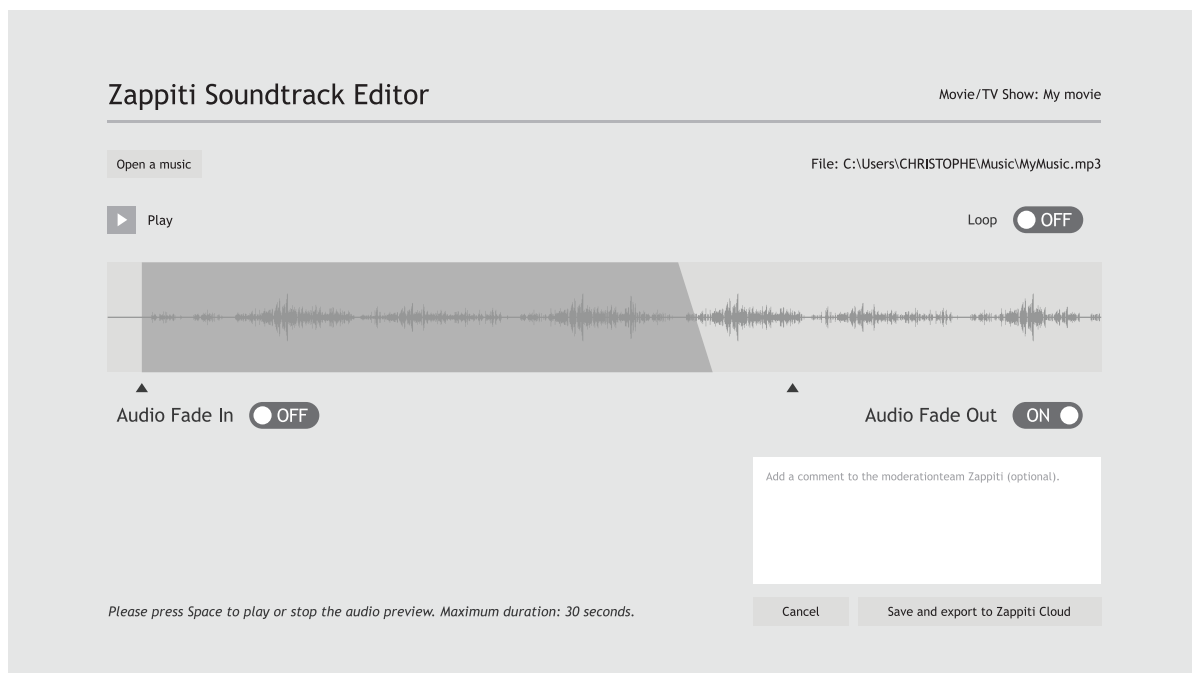
Token Error Message "Account / token already used"

When you encounter the message **Account / token already used** you need to release the Zappiti Player token in order to use it again. If you are not able to do it by yourself, contact us by sending us a photo of the sticker under the Zappiti unit with the token number.

Zappiti Soundtrack

During navigation in the movies and TV shows, Zappiti will playback the musical theme. This option called Zappiti Soundtrack can be deactivated in the **Configuration** panel (Menu / Configuration / Tools). To add your own soundtrack, you can use the Zappiti Soundtrack Editor available on the PC and Mac versions of Zappiti Video.

In your collection, locate the media (movie, series or saga). Left-click on the cover-art to display the Pop-up Menu. Then, right-click on the button **Associate a soundtrack**. Then, click on **Open a music** button to import your music. Please wait during the importation process. Then, your audio track will appear in the Zappiti Soundtrack Editor.



For legal issues, the extract must not be longer than 30 sec. The minimum duration is 10 seconds. The area of the clip is symbolized by a dark gray band. To edit the audio clip, click and drag the start and end arrows. We strongly advise you to use the **Fade In / Fade Out** options, but it may be useful not to use fades in some cases. For example, it could be very useful if you want to make a perfect loop.



To start the audio playback of your clip, please click the Play button. You can move the playback position (represented by a bar cursor) by clicking anywhere on the clip using your mouse. This makes it easy to edit the end of the clip. Once the clip has been edited, click **Save and Export to Zappiti Cloud**.

Note: Before exporting, you can put a comment in the comment field for the Zappiti Soundtrack moderation team. For instance, you can indicate that the default track is wrong (soundtrack of another movie/saga/TV Show).

As Zappiti Soundtrack is a community system, the more users add soundtracks, the more the Zappiti Soundtrack database will grow.

Firmware Upgrade

Usually, if a new firmware is available, you will be informed on the startup of the player. To access the Firmware upgrade page and manually launch the update of firmware online, go to **Setup > Miscellaneous > Firmware Upgrade**. You will see the current firmware version. Click on **Check Available Update**. If a new version is available, you will be able to download it and install it. If there is no new firmware version available, a popup windows will appear to confirm it. To manually upgrade the firmware using a USB flash drive, please visit the Zappiti Knowledge Base:

zappiti.uservoice.com/knowledgebase



DISCLAIMER

On some cases — especially if you come from a more recent firmware — during the process, the TV screen can switch to **GREEN** or **BLACK** for a while. This is normal! Please absolutely not restart or switch off your Zappiti during the full process. In such case, please wait 10 min before to restart your Zappiti unit.

Factory Reset

In some cases, a factory reset may be required. Be careful, however, this will reset all your Zappiti settings and account information.

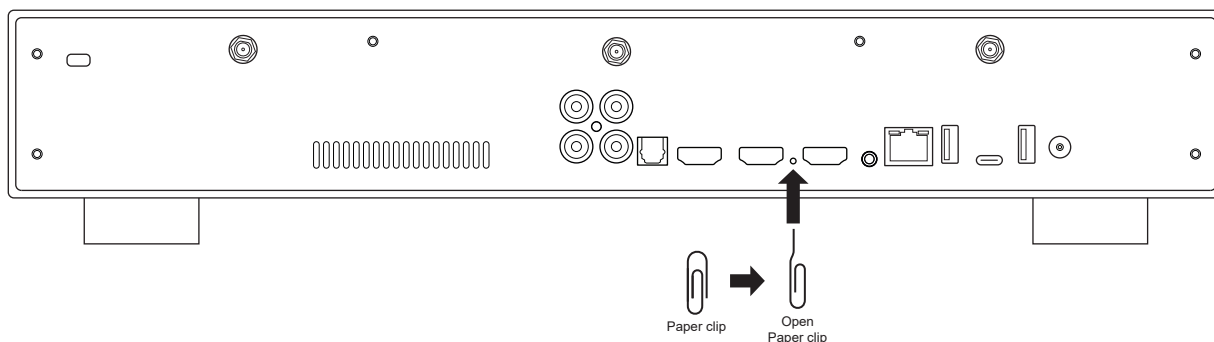
1. Go to **Setup > General**
2. Click **Reset Settings** button, then click on **Reset settings** to confirm the procedure.
3. Please wait during the reset process.

Warning! Do not restart or switch off your Zappiti during the full process

Hardware Reset

If you do not get any video signal, you can boot into Recovery menu:

1. Start the Zappiti.
2. During power-on press and hold **Reset** button located on the back of the Zappiti using a paper clip.
3. Then do "**Wipe data**".



User Support & Zappiti Db

For **User Support**, please contact us at:
tickets@zappiti.uservoice.com

Tutorials and Knowledge Base:
zappiti.uservoice.com/knowledgebase

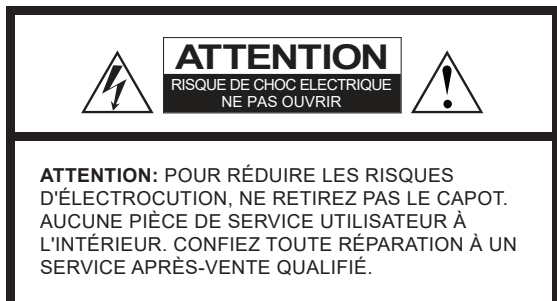
Vote for the future functions:
zappiti.uservoice.com/knowledgebase

To join the **Zappiti Db Community** and create movie covers and fanarts for Zappiti, please contact us at:
tickets@zappiti.uservoice.com

Zappiti Store

Zappiti products, high fidelity cables, additional accessories and hard drives can be found on the Zappiti Store:

zappiti.store



L'éclair, avec un symbole en forme de flèche, situé dans un triangle équilatéral, est destiné à alerter l'utilisateur de la présence d'une « **tension dangereuse** » non isolée dans le boîtier du lecteur, pouvant être suffisamment importante pour constituer un risque de choc électrique pour l'utilisateur.



Le point d'exclamation dans un triangle équilatéral est destiné à alerter l'utilisateur de la présence d'instructions de fonctionnement et de maintenance (entretien) importantes dans la documentation accompagnant l'appareil.

AVERTISSEMENT

POUR RÉDUIRE LE RISQUE D'INCENDIE OU D'ÉLECTROCUTION, N'EXPOSEZ PAS CET APPAREIL À LA PLUIE OU À L'HUMIDITÉ. DES HAUTES TENSIONS DANGEREUSES SONT PRÉSENTES À L'INTÉRIEUR DU BOÎTIER. N'OUVREZ PAS LE COUVERCLE DE L'APPAREIL. SE RÉFÉRER À UN PERSONNEL QUALIFIÉ UNIQUEMENT. L'APPAREIL NE DOIT PAS ÊTRE EXPOSÉ À DES LIQUIDES. AUCUN OBJET REMPLI DE LIQUIDE, TEL QUE DES VASES, NE DOIT ÊTRE PLACÉ SUR L'APPAREIL.

MISE EN GARDE :

DANGER D'EXPLOSION EN CAS DE REMPLACEMENT INCORRECT DES PILES. REMPLACER UNIQUEMENT PAR UN MÊME TYPE DE PILE OU ÉQUIVALENT. NE PAS OUVRIR LE CAPOT DU LECTEUR ET NE PAS LE RÉPARER SOI-MÊME. CONFIEZ L'ENTRETIEN À UN TECHNICIEN QUALIFIÉ.



Ce produit est conforme aux directives européennes sur la basse tension (2006/95/CE), à la compatibilité électromagnétique (2004/108/CE) et à la conception écologique des produits liés à l'énergie (2009/125/CE) lorsqu'il est utilisé et installé conformément à cette directive de ce manuel.

Informations complémentaires

En raison de l'évolution régulière et de l'ajout de nouvelles fonctionnalités, fournies par les mises à jour de micrologiciels et de logiciels, il est impossible de couvrir toutes les fonctionnalités de ce guide de l'utilisateur. Pour cette raison, nous vous invitons à visiter notre base de connaissances Zappiti en ligne. Vous trouverez un grand nombre de didacticiels et diverses rubriques d'aide sur l'utilisation du lecteur multimédia et des applications Zappiti: zappiti.uservice.com/knowledgebase

À propos de Zappiti

Zappiti est une société française basée à Paris. Zappiti conçoit et fabrique uniquement des systèmes de gestion vidéo de qualité professionnelle; offrant la meilleure qualité, des performances exceptionnelles et la meilleure expérience utilisateur possible. Les équipes de développement, d'ingénierie, de conception et d'assistance logicielles sont situées en France (Europe).

Tous les produits Zappiti sont conçus pour fournir à nos clients utilisateurs un accès pratique et intuitif à l'ensemble de leur collection de films, avec une résolution 4K haute définition exceptionnelle. Les appareils Zappiti primés sont utilisés avec succès pour améliorer l'expérience de visionnage de films, dans les environnements résidentiels et commerciaux du monde entier. Pour garantir des performances optimales, tous les appareils Zappiti sont fournis aux revendeurs agréés via un réseau mondial de partenaires de distribution établis et bien respectés.

Les produits Zappiti sont distribués dans plus de 50 pays à travers le monde. Plus d'infos: zappiti.com



WEEE symbol

Destruction correcte de ce produit (déchets d'équipements électriques et électroniques) applicable dans l'Union européenne et dans d'autres pays européens avec des systèmes de collecte pour recyclages séparés. Ce marquage sur le produit, les accessoires ou la documentation indique que le produit et ses accessoires électroniques ne doivent pas être jetés avec les autres déchets ménagers en fin de vie. Pour éviter tout risque pour l'environnement ou la santé humaine d'une élimination incontrôlée des déchets, veuillez séparer ces éléments des autres types de déchets ménagers et les recycler de manière responsable afin de promouvoir la réutilisation durable des ressources matérielles.

Plus d'informations ici:
<http://ec.europa.eu>

Consignes importantes

- 1) Lisez et conservez ces instructions.
- 2) Tenez compte de tous les avertissements.
- 3) Suivez toutes les instructions de ce manuel.
- 4) N'utilisez pas cet appareil à proximité de liquides.
- 5) Nettoyer uniquement avec un chiffon sec.
- 6) Ne bloquez pas les ouvertures de ventilation.
- 7) N'installez pas l'appareil à proximité de sources de chaleur telles que lecteurs Blu-ray / DVD / CD, ou autres appareils électroniques (en particulier les amplificateurs).

Table des matières

Français

Guide de démarrage rapide

- 26 • Introduction, fonctions clés
- 27 • Système de jaquettes intégré
- 28 • Contenu de la boîte, Câble HDMI, Report IR
- 29 • Vues extérieures, Touches programmables pour contrôler la TV à l'aide de la télécommande Zappiti
- 30 • Télécommande, Contrôle IP et IR
- 31 • Connexion de votre Zappiti à votre TV sans ampli HC
- 31 • Connexion de votre Zappiti à votre TV via un ampli HC
- 32 • Utilisation de la sortie HDMI Audio Only
- 32 • Audio coaxial et optique
- 33 • Démarrage
- 33 • Réglages audio
- 33 • Réglages vidéo
- 34 • Connecter un disque dur externe ou périphérique USB
- 34 • Utilisation du disque dur interne, Utiliser une carte mémoire SD Card / MMC
- 35 • Ethernet, Wi-Fi, Bluetooth
- 36 • Zappiti Explorer, Zappiti Vidéo, Contrôlez votre Zappiti via tablette / smartphone
- 37 • Accès réseau, Gérez vos fichiers avec Zappiti Explorer
- 37 • Fonction diaporama
- 37 • Utilisation de la touche Info de la télécommande
- 37 • Options de lecture
- 37 • Statistiques du Zappiti NAS
- 37 • Favoris
- 38 • Créer une collection de films / séries avec Zappiti Vidéo
- 39 • Utilisation de Zappiti Vidéo
- 39 • Identifier un film / un épisode
- 39 • Supprimer un film / un épisode
- 40 • Identifier manuellement un film non identifié
- 40 • Fichiers 3D, 4K et UHD
- 40 • Comment changer une image (jaquette ou fond)
- 40 • Thèmes graphiques Zappiti
- 40 • Disques durs multiples
- 41 • Zappiti Soundtrack
- 42 • Contrôle parental
- 42 • Catégories personnelles
- 42 • Zappiti Vidéo au démarrage
- 42 • Filtres et tris
- 42 • Moteur de recherche
- 42 • Sagas / Groupes
- 42 • Options d'affichage des sous-titres
- 43 • Reprise de lecture vidéo
- 43 • Accès direct
- 43 • Options 3D
- 44 • Mise à jour firmware
- 44 • Réinitialisation en mode usine (Factory Reset)
- 44 • Restauration firmware via clé USB
- 44 • Assistance utilisateur et base de jaquettes Zappiti Db
- 44 • Zappiti Store

Introduction

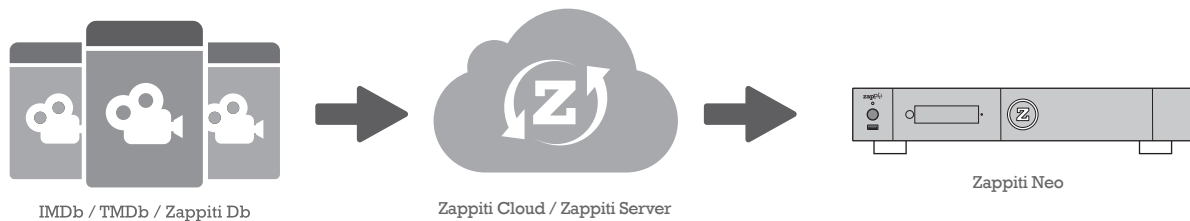
Le Zappiti Neo est un lecteur multimédia à double sortie HDMI, compatible UHD 4K, Dolby Vision, HDR10+, 3D, MKV, BD/UHD ISO et DSD.

Fonctions clés

- **HDR** : Affichez vos vidéos HDR pour plus de dynamique sur votre écran compatible HDR.
- **Double sortie HDMI** : Connectez votre Zappiti à votre TV ou projecteur via la sortie HDMI principale et connectez la seconde sortie HDMI (Audio Only) à votre ampli pour de meilleures performances ou pour profiter de votre ampli ancienne génération incompatible HDR.
- **4K 50/60p** : Affichez vos contenus vidéo de résolution 3840x2160p en 50 Hz/60 Hz.
- **MKV** : Lecture de contenu vidéo SD, HD et UHD en format MKV et autres formats de fichiers vidéo récents, tels que HEVC / H.265 pour une qualité supérieure jusqu'à plus de 400 Mb/s.
- **Menus Blu-ray et UHD** : Affichez les menus DVD, Blu-ray et UHD et accédez au contenu supplémentaire, à la version cinéma ou "Director's Cut", aux bonus, signets, etc. avec support du seamless branching.
- **Rack à disque dur à échange à chaud** : Insérez et interchangez facilement vos HDDs.
- **Lecteur réseau** : Lisez vos contenus multimédia stockés sur votre réseau local via SMB.
- **Ports USB** : Connectez facilement des disques durs, clés USB, et autres périphériques USB.
- **Port USB 3.0 et Type-C** : Lisez ou copiez vos fichiers à très haut débit.
- **Connectique A/V complète** : Sorties audio numérique S/PDIF coaxiale et optique, audio analogique, HDMI 2.0 CEC, Vidéo Composite, report IR.
- **Son home cinéma multicanal** : Bitstream, downmix stéréo.
- **Flexibilité de sortie vidéo** : Affichage vidéo dans différentes résolutions et fréquences, dont SD, 1080p (1920x1080), Ultra HD (3840x2160p) et 4K (4096x2160p) jusqu'à 12 bits.
- **Auto Framerate** : Détection automatique de la fréquence d'image 23,976/24/29,97/30/50/60p
- **Playback Memory** : Reprise de lecture automatique depuis la dernière position de lecture.
- **Explorateur de fichiers** : Explorateur et gestionnaire de fichiers (copier-coller, supprimer, ...).
- **Télécommande rétro-éclairée** : Télécommande rétro-éclairée avec boutons d'accès directs.
- **WiFi ac 2T2R double antennes détachables** : Lecture et transfert sans fil à haut débit.
- **Widevine L1 DRM** : Profitez de services de streaming vidéo premium en Full HD ou Ultra HD.
- **Synchronisation audio/vidéo** : Ajustez la synchronisation audio/vidéo avant/arrière (en ms).
- **SACD (DSD)** : Lisez vos fichiers musicaux Super Audio CD (DSD) de qualité supérieure dans tous les principaux formats (ISO, DFF, DSF), y compris les fichiers stéréo et multicanaux ainsi que les fichiers utilisant la compression DST.

Voter pour les futures fonctionnalités

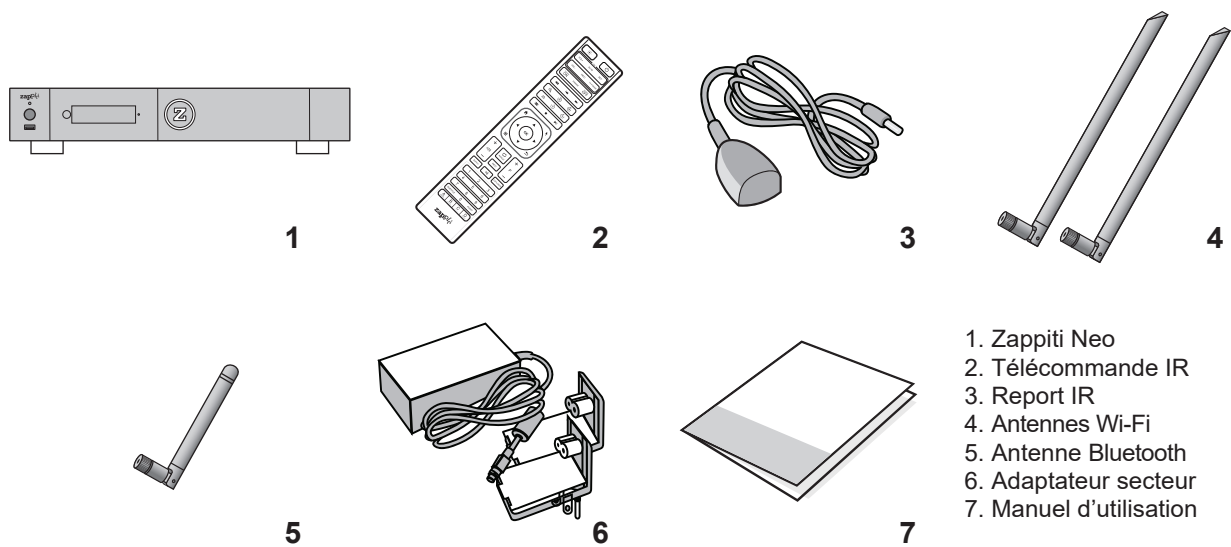
Pour proposer une nouvelle fonctionnalité ou voter pour une fonction à venir, consulter la page suivante: zappiti.uservoice.com



Système de jaquettes intégré

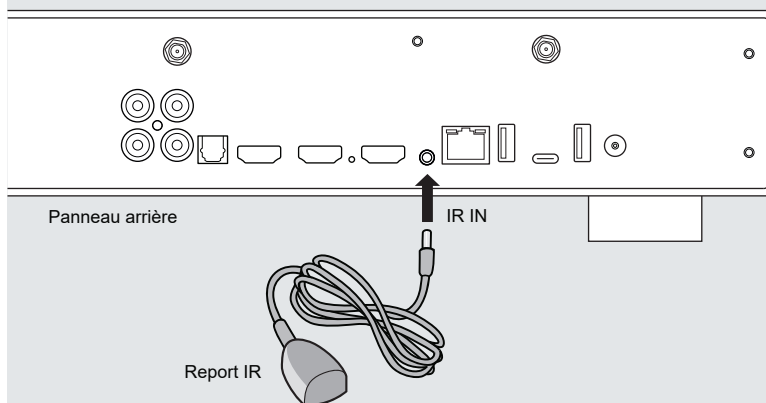
- **Interface Zappiti** : Système d'exploration par jaquettes pour vos films, et séries TV avec présentation des informations (sous-titres, acteurs, réalisateur, date de sortie...). Indexation automatique des films et séries TV par genre. Interface affichée en 1080p avec accélération matérielle pour une navigation plus fluide.
- **Moteur de recherche** : Retrouvez facilement vos films et séries TV, grâce au puissant moteur de recherche de Zappiti associé à de nombreux filtres et système de tri (acteurs, réalisateur, durée, note, date de sortie, ...).
- **Édition depuis le lecteur Zappiti** : Éditez ou supprimez les fiches de films directement à l'aide de la télécommande. Changez des posters, éditez les synopsis, modifiez la catégorie d'un film, créez vos propres catégories personnelles, etc.
- **Zappiti au démarrage** : lancez automatiquement Zappiti Video au démarrage du lecteur.
- **Multi collections** : Créez une collection de films et séries TV par membre de votre famille ou par disque dur et passez facilement de l'une à l'autre.
- **Contrôle parental** : Grâce à la fonction de contrôle parental, vous pourrez marquer vos films en tant que "film pour enfant" et verrouiller l'accès aux autres films avec un code PIN. Ainsi, vos enfants pourront accéder en toute sécurité à leurs films! En plus, le mode enfant propose un accès direct aux films sans les synopsis pour une plus grande simplicité d'utilisation.
- **Sagas** : Les films d'une saga sont automatiquement placés dans un groupe et triés par date de sortie. Une pochette dédiée à la collection est associée au groupe et les films sont affichés dans un magnifique carrousel 3D du plus bel effet.
- **Vu / Non vu automatique** : Marquage automatique des films en Vu / Non vu / En cours.
- **Suivant** : Accès direct à l'épisode / film actuel ou suivant de la saga directement depuis la page d'accueil de Zappiti Video.
- **Zappiti Soundtrack** : Lorsque vous explorez votre collection, Zappiti Soundtrack lance automatiquement le thème musical associé à vos films, séries TV et sagas en musique de fond.
- **Mode Cinémascope** : Configurez l'affichage de l'interface Zappiti Video en mode 2.35:1, 16:9 ou 16:10.
- **Zappiti Offline (hors ligne)** : Sauvegardez votre collection dans le lecteur pour une utilisation en local sans connection Internet.
- **Bandes annonces** : Visualisez la bande annonce de vos films en langue française.
- **Bonus Live** : Accédez aux contenus associés à vos films tels que making of, scènes coupées, extraits, critiques, bêtisier, et bande originale.
- **Téléchargement automatique de sous-titres** : Grâce à Zappiti, vous pouvez télécharger en un clic les sous-titres d'un épisode de série TV ou d'un film.
- **Zappiti Explorer** : Explorez vos dossiers et lancez la lecture de vos fichiers de type vidéo, photo et musique de manière simple et rapide.

Contenu de la boîte



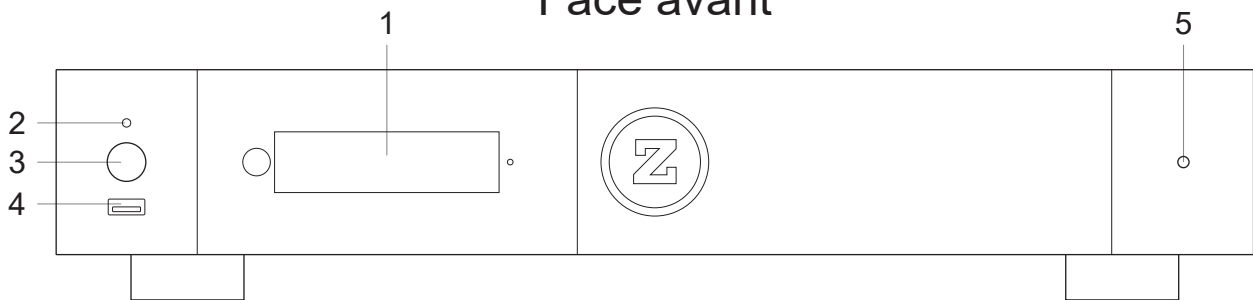
NOTE : des accessoires supplémentaires (optionnels) peuvent être inclus dans la boîte en fonction du pays, du distributeur et de la configuration du lecteur.

Report IR (infrarouge)



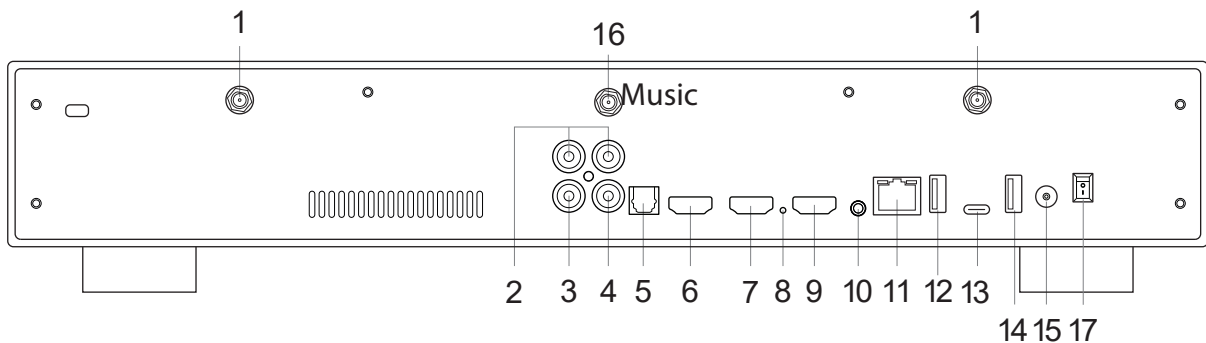
Si votre lecteur Zappiti est caché derrière votre TV ou autre chose, connectez le **report IR** fourni comme indiqué.

Face avant



- | | |
|-----------------------------------|------------------------------|
| 1. Écran LCD | 4. USB 2.0 Host |
| 2. Indicateur LED | 5. Récepteur IR (infrarouge) |
| 3. Allumage / Veille / Extinction | |

Panneau arrière



- | | |
|------------------------------------|--------------------------|
| 1. Antenne Wi-Fi | 10. Report IR |
| 2. Sortie audio analogique stéréo | 11. Ethernet 10/100/1000 |
| 3. Sortie vidéo composite | 12. USB 2.0 Host |
| 4. Sortie audio numérique coaxiale | 13. USB TYPE-C |
| 5. Sortie audio numérique optique | 14. USB 3.1 Host |
| 6. Sortie HDMI audio uniquement | 15. DC Power 12V 2A |
| 7. Sortie HDMI principale | 16. Antenne Bluetooth |
| 8. Reset | 17. Power ON/OFF |
| 9. Entrée HDMI | |

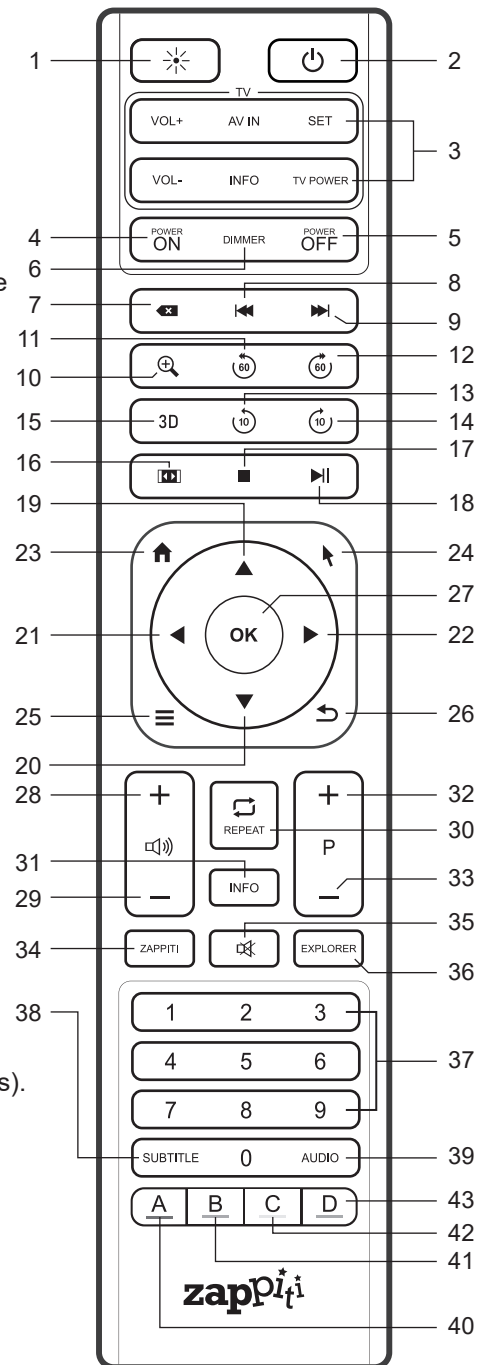
Touches programmables pour contrôler la TV ou l'ampli à l'aide de la télécommande du lecteur Zappiti

1. Pressez le bouton **SET** de la télécommande Zappiti pendant 7 sec.
2. Le bouton **POWER** de la télécommande Zappiti devient **ROUGE**.
3. Pressez la touche à programmer sur la télécommande Zappiti.
4. Le bouton **POWER** de la télécommande Zappiti clignote **ROUGE**.
5. Sur votre télécommande, pressez le **bouton que vous souhaitez enregistrer** sur la télécommande Zappiti.
6. Le bouton **POWER** de la télécommande Zappiti clignote rapidement puis se fige. L'enregistrement est confirmé.
7. Recommencez les opérations de 3 à 6 si vous désirez enregistrer d'autres boutons.
8. Pour terminer et sauvegarder, pressez le bouton **SET** de la télécommande du Zappiti. Le bouton **POWER** s'éteindra.

Télécommande

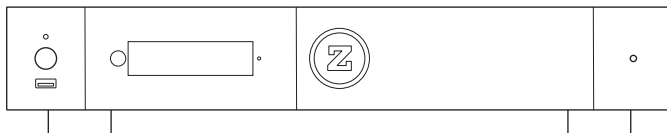
1. **LUMIÈRE**: Allume le rétroéclairage de la télécommande.
2. **POWER**: Allume / Éteint le lecteur
3. **TV SECTION**: Touches programmables pour contrôler la TV ou l'ampli. Pour plus d'info, veuillez vous référer à la page précédente.
- 4-5. **POWER ON/OFF**: Allumage / Extinction (Discret ON/OFF)
6. **DIMMER**: Activer / Désactiver la LED frontale.
7. **SUPPRIMER**: Efface le caractère précédent / Change le thème graphique de la page d'accueil (thème silver ou classique).
- 8-9. **PRÉC/SUIV**: Aller au chapitre précédent / suivant.
10. **ZOOM**: Zoom avant / arrière (overscan).
- 11-12. **-60/+60**: Avance / Retour par incrément de +/- 60 sec.
- 13-14. **-10/+10**: Avance / Retour par incrément de +/- 10 sec.
15. **3D**: Basculer en mode 2D ou 3D.
16. **RATIO**: Changer le ratio d'affichage.
17. **STOP**: Arrêter la lecture vidéo.
18. **PLAY/PAUSE**: Démarrer / Mettre en pause la lecture.
- 19-20. **HAUT**: *Fichier précédent. **BAS**: *Fichier suivant
- 21-22. **LEFT/RIGHT**: Avance / Retour (-/+1 min).
23. **HOME**: Aller au menu principal (page d'accueil).
24. **SOURIS**: Basculer en mode souris virtuelle.
25. **MENU**: Afficher / Masquer le menu contextuel.
26. **RETOUR**: Retourner au menu précédent ou arrêter la lecture.
- 19-22. **FLÈCHES**: Naviguer dans les sections du menu.
27. **OK**: Entrez ou validez l'élément en cours.
- 28-29. **VOLUME +/-**: Augmenter / Diminuer le volume.
30. **RÉPÉTER**: Répéter la lecture (fichier, tout, désactivé).
31. **INFO**: Afficher les infos techniques en cours de lecture.
- 32-33. **PAGE +/-**: Timeline navigation (+/-10 sec).
34. **ZAPPITI**: Raccourci vers Zappiti Video.
35. **MUTE**: Couper le son / Réactiver le son.
36. **EXPLORER**: Raccourci vers Zappiti Explorer.
37. **TOUCHES NUMÉRIQUES**:
 - 1-9: Accès direct à 10 - 90% (durée de lecture ou liste de films).
 - 0: Retour à début (durée de lecture ou liste de films).
38. **SUBTITLE**: Changement de piste de sous-titres.
39. **AUDIO**: Changement de piste audio.
40. **ROUGE (A)**: Raccourci contextuel.
41. **VERT (B)**: Raccourci contextuel.
42. **JAUNE (C)**: Raccourci contextuel.
43. **BLEU (D)**: Raccourci contextuel.

* Explorer



Utilisation de la télécommande

Jusqu'à 8m



Lors de l'utilisation de la télécommande, celle-ci doit être dirigée vers le capteur infrarouge situé sur la partie droite du panneau frontal dans un angle de $\pm 60^\circ$ et sur une distance de moins de 8 m.

*Veuillez utiliser des piles alcalines.
Respectez la polarité lors de l'insertion des piles.*



Contrôle IP et IR

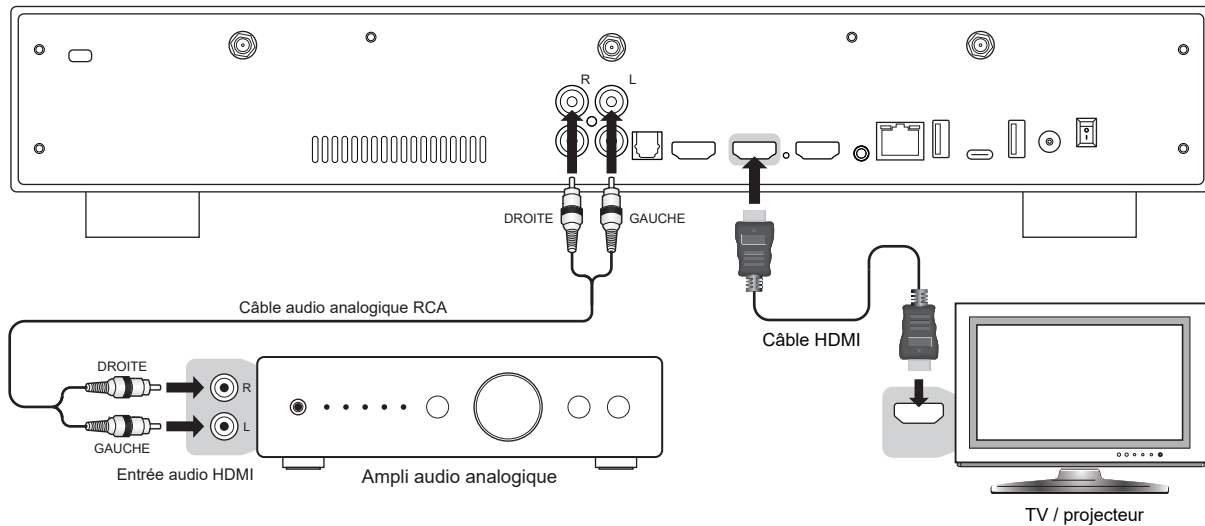
Vous pouvez contrôler votre Zappiti à l'aide d'appareils tiers tels que Control4, Crestron, RTI, ProControl, Logitech, Pronto, ...

Plus d'informations:

zappiti.uservice.com/knowledgebase

Connexion de votre Zappiti à votre TV sans ampli HC

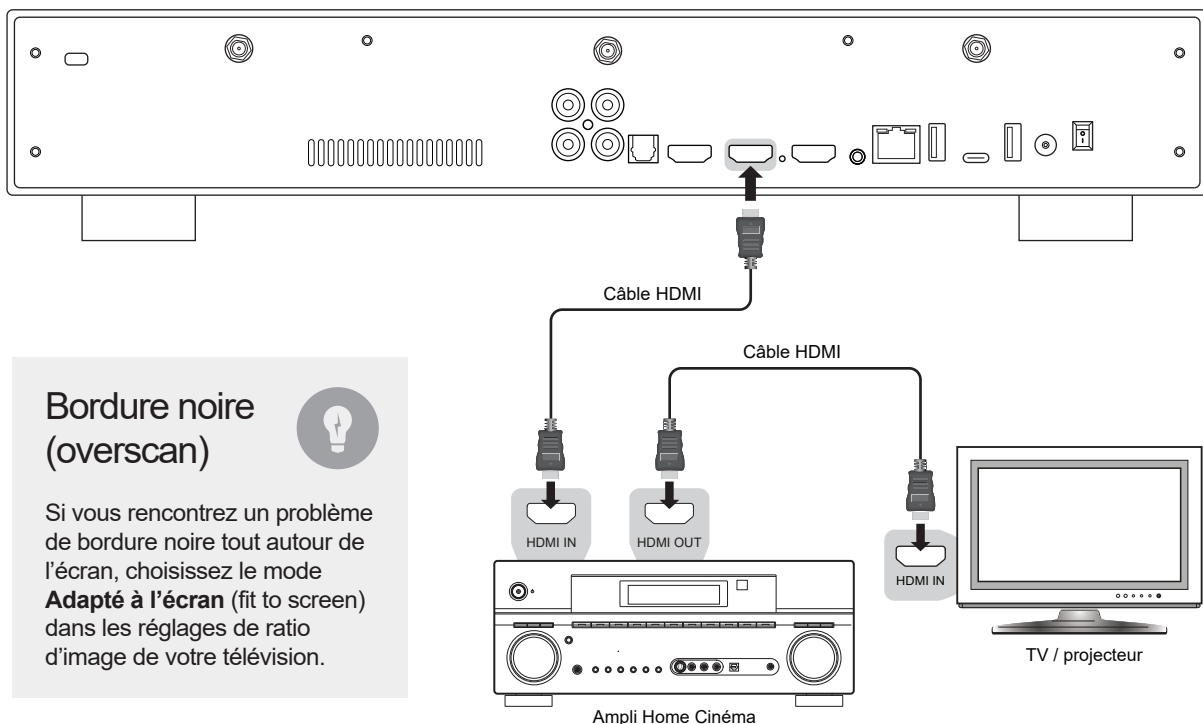
Si vous ne possédez pas d'ampli home cinéma ni de barre de son, le moyen le plus simple consiste à connecter votre lecteur directement à votre TV. Pour cela, connectez la sortie HDMI principale de votre Zappiti à une entrée HDMI libre de votre TV. Si vous avez un projecteur, veuillez utiliser un ampli home cinéma (procédure suivante) ou un amplificateur audio analogique et connectez-le comme suit :



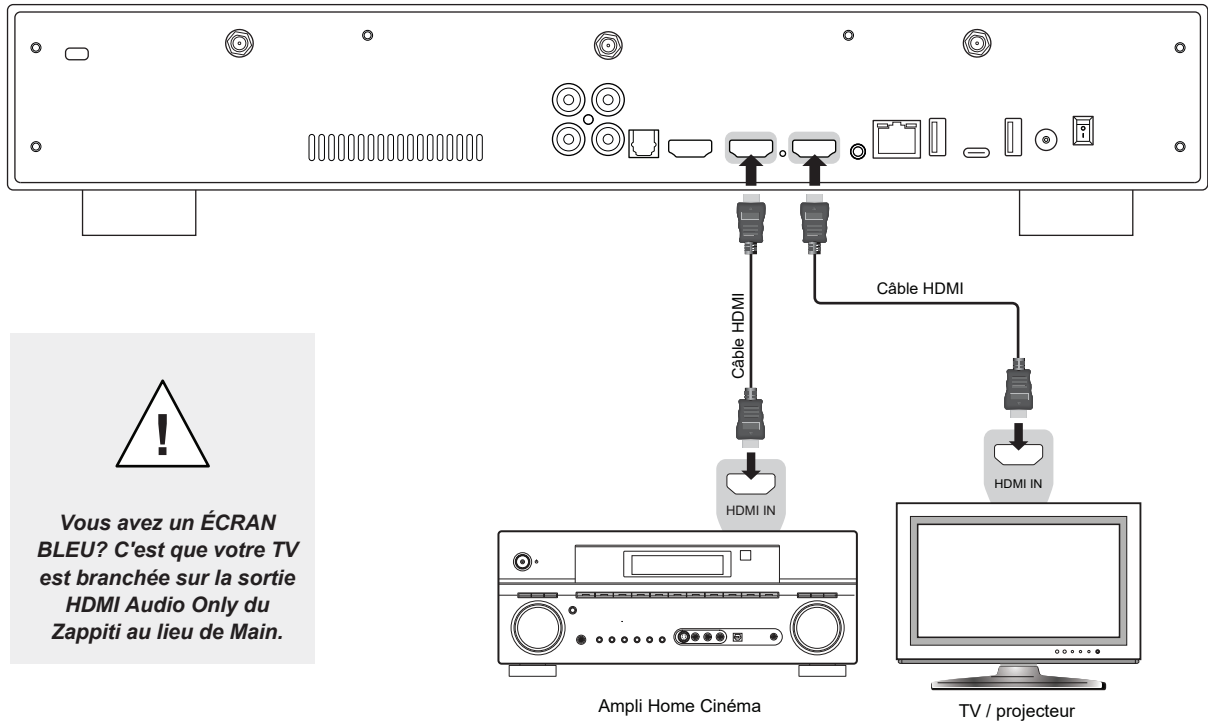
⚠ Vous avez un ÉCRAN BLEU? C'est que votre TV est branchée sur la sortie HDMI Audio Only du Zappiti.

Connexion de votre Zappiti à votre TV via un ampli HC

Si vous possédez un ampli home cinéma (HC), le moyen le plus pratique est de connecter votre Zappiti à votre TV par le biais de votre ampli (ou barre de son). Pour cela, connectez la sortie HDMI principale de votre Zappiti à une entrée HDMI libre de votre ampli, puis connectez la sortie HDMI de votre ampli à votre TV ou votre vidéo-projecteur. Si votre TV est compatible 4K HDR, votre ampli home cinéma doit l'être également. Sinon, vous pouvez utiliser la sortie HDMI Audio Only, comme indiqué à la page suivante.

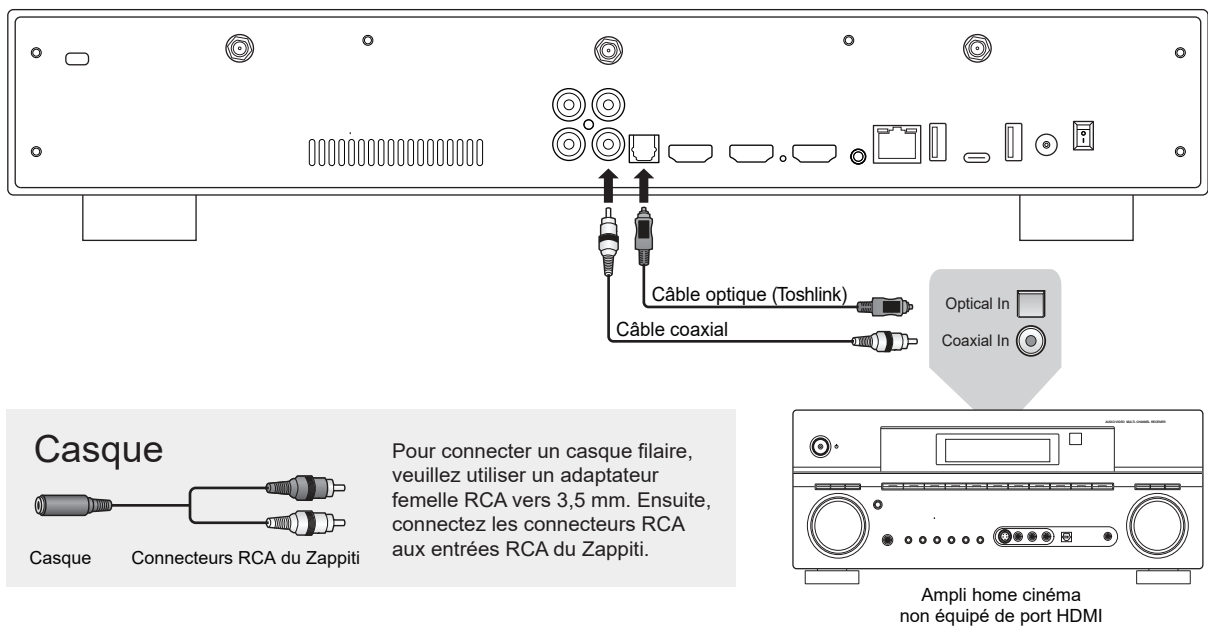


Si votre ampli home cinéma n'est pas compatible 4K HDR, utilisez la sortie HDMI Audio Only comme suit:



Audio coaxial et optique

Si votre ampli home cinéma n'est pas compatible HDMI, vous pouvez connecter votre lecteur multimédia Zappiti à votre ampli à l'aide de sorties numériques SPDIF (Toslink) ou coaxiales, comme suit:



Démarrage

⚠ Assurez-vous d'utiliser la sortie HDMI OUT (principale) et non HDMI IN pour connecter votre Zappiti à votre téléviseur ou à votre vidéoprojecteur.

Branchez votre lecteur et vérifiez que le sélecteur de tension est bien sur le bon voltage en fonction de votre région géographique. Allumez le Zappiti. Le lecteur effectuera sa procédure de démarrage initiale (dure environ une minute).

⚠ Si vous avez un écran noir ou pas de signal vidéo, consultez la base de connaissances Zappiti.
zappiti.uservoice.com/knowledgebase

Vous arriverez ensuite sur un écran de configuration rapide. Suivez les étapes pour définir la langue, la résolution et l'accès réseau.

Enfin, vous devriez voir l'écran principal avec l'accès entre autres aux applications Video (système de jaquettes), et Explorer ainsi qu'aux **Réglages** et aux **Applications Android**.

Pour configurer la langue et les sous-titres par défaut pour les contenus vidéo, allez dans **Réglages** > **Lecture** et choisissez la langue par défaut de votre choix pour la langue et les sous-titres. Pour la VOST, choisissez **Anglais** pour la langue par défaut, et **Français** pour les sous-titres.

Réglages audio

La section **Audio** du menu **Réglages** vous permet de configurer les préférences pour les formats de sortie audio. Si vous utilisez un ampli ou préampli home cinéma compatible HDMI et multicanal, réglez l'option **Connecteur audio numérique** sur **HDMI (Audio HD activé)**. Si votre ampli / préampli home cinéma n'est pas compatible HDMI, réglez l'option **Connecteur audio numérique** sur **S/PDIF (audio HD désactivé)**.

Nous vous conseillons de régler l'option **Mode de sortie audio numérique** sur **Auto**. Mais il peut être judicieux de sélectionner le mode **PCM (avec décodage)** pour certains types de formats audios comme l'AAC si votre ampli ne sait pas décoder ce format. Le mode **Bitstream** envoie toujours le flux audio à votre ampli / préampli de manière non décodée. Mais dans ce mode, certains formats audio pourront ne pas fonctionner si votre ampli ne prend pas en charge ces formats.

Si vous écoutez de la musique en format lossless ou non compressé, vous pouvez paramétrer l'option **Fréquence d'échantillonnage des sorties numériques max** en **192 kHz**. Néanmoins, attention car ce mode peut générer des craquements dans les enceintes si vous utilisez un ampli, ou une barre de son incompatible 192 kHz, ou si vous n'utilisez pas du tout d'ampli ou de barre de son (son de la TV). Auquel cas, sélectionnez l'option **Auto**.

Réglages vidéo

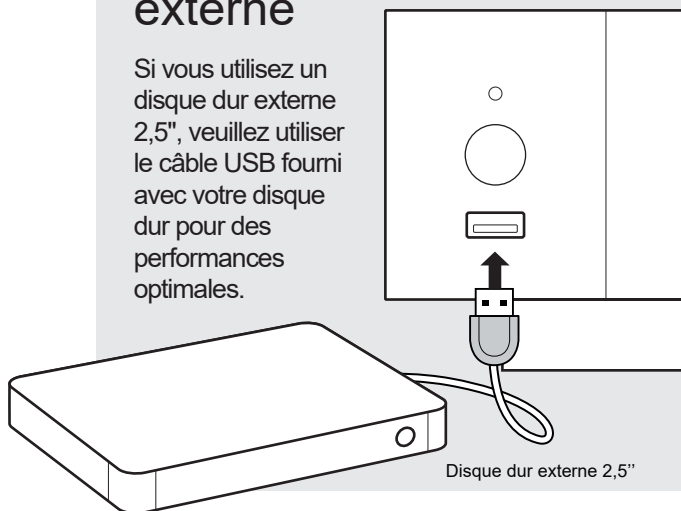
Par défaut, le lecteur Zappiti ajuste automatiquement la sortie vidéo en fonction de la résolution de votre téléviseur. Il est vivement recommandé de laisser les paramètres de résolution en mode **auto** (dans **Réglages** > **Vidéo**). Si votre TV ou projecteur est compatible, nous vous conseillons le mode **Y'CbCr 4:4:4 / 10 bits** ou **12 bits** pour les meilleures performances vidéo. Attention! Plus vous montez en gamme dans les caractéristiques de sortie vidéo, plus le débit sera important et nécessitera un câble de qualité.

Conversion HDR > SDR

*Pour bénéficier des meilleures performances en SDR sur du contenu HDR, nous vous invitons à aller dans **Réglages** > **Vidéo** > **Réglages HDR et Dolby Vision (HDR and Dolby Vision Settings)** et à sélectionner l'option **Dolby VS10 engine for HDR, DV video**. Si vous avez des noirs délavés, allez dans **Réglages** > **Système** > **Vidéo** > **HDMI Range Mode** > **Full Range**.*

Disque dur externe

Si vous utilisez un disque dur externe 2,5", veuillez utiliser le câble USB fourni avec votre disque dur pour des performances optimales.



Périphérique USB

Vous pouvez connecter vos disques durs ou clés USB à l'un des ports USB disponibles. Si vous voulez lire des fichiers vidéo, l'USB 2.0 est suffisant pour supporter un débit très élevé (jusqu'à 480 Mbps). Si vous souhaitez transférer des fichiers, nous vous conseillons d'utiliser les ports USB 3.1 ou USB Type-C.

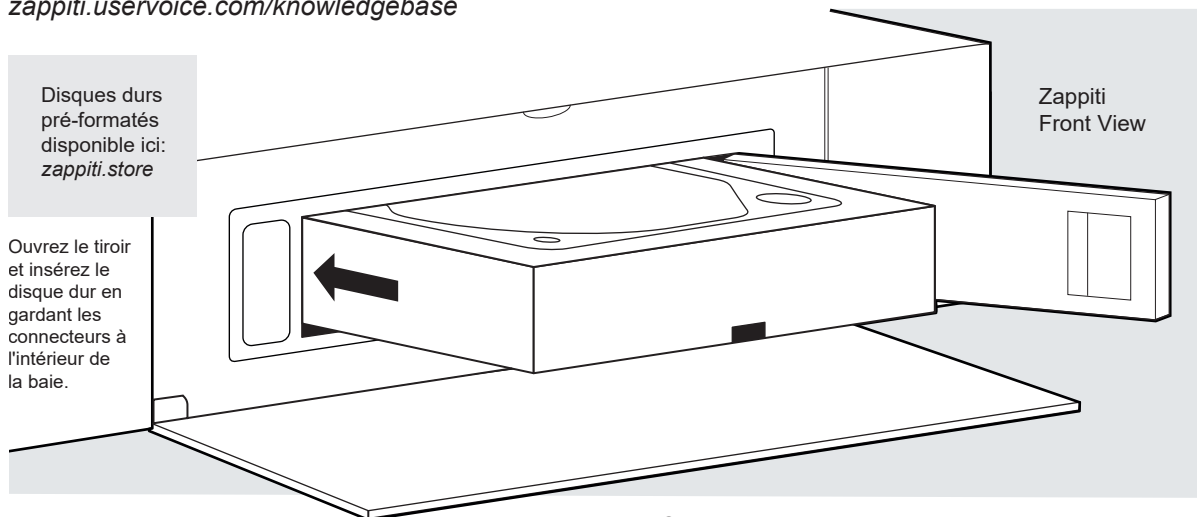
L'alimentation fournie par les ports USB peut ne pas être suffisante pour le bon fonctionnement des disques durs USB de grande capacité. Veuillez ne pas débrancher ou éteindre le lecteur USB pendant les opérations d'écriture.

*Les lecteurs Zappiti sont compatibles avec les stations d'accueil pour disque dur utilisant le protocole **UASP**, ainsi qu'avec les **multiprises USB (Hub)**.*

Disque dur interne

Pour insérer un disque dur interne SATA de 3,5 pouces, ouvrez la porte du rack HDD, insérez le disque dur jusqu'au 3/4, puis terminez l'insertion en fermant la porte. Cela aura pour effet de pousser le disque dur jusqu'à sa connexion au port SATA situé au fond du rack. Le lecteur Zappiti est compatible avec les disques durs formatés en NTFS, FAT16/32, EXT2/3/4, HFS/HFS+ (lecture seule) et BTRFS. Pour connecter un disque interne 2.5", utilisez un adaptateur. Il est possible de formater vos disques directement sur le lecteur via l'application Zappiti Explorer (Menu > Formater).

*Pour plus d'infos, veuillez consulter la **base de connaissance**: zappiti.uservoice.com/knowledgebase*



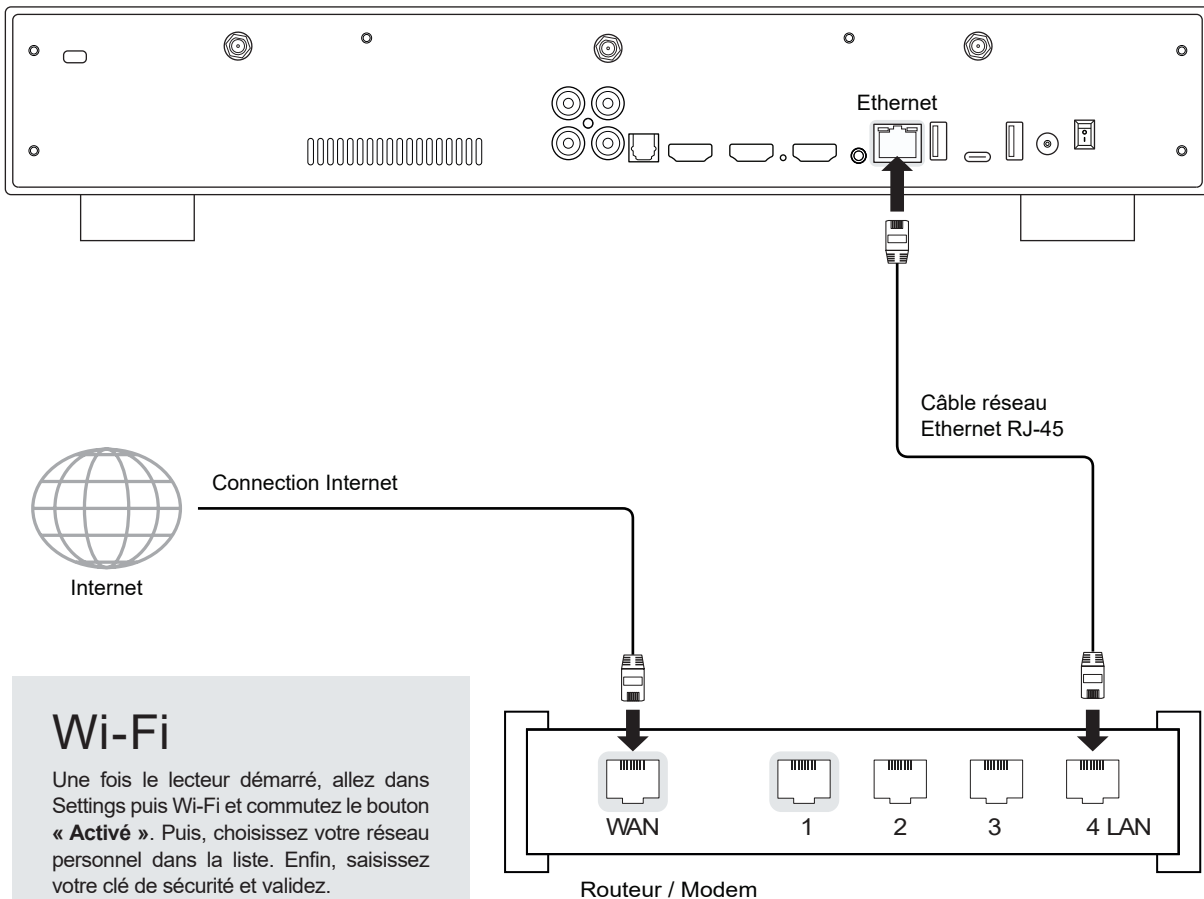
Ouvrez le tiroir et insérez le disque dur en présentant les connecteurs à l'intérieur de la baie.

Utiliser une carte mémoire SD Card / MMC

Pour utiliser une carte mémoire sur le Zappiti Max, vous devez acquérir un lecteur de cartes mémoires externe à connecter sur l'un des ports USB disponibles de la machine. Puis, insérez la carte dans le lecteur de cartes mémoires. Elle sera détectée comme périphérique USB. Certaines cartes mémoire SD peuvent ne pas être compatibles avec le lecteur ou mal fonctionner. Dans ce cas, utilisez un autre modèle de carte mémoire.

Ethernet

Pour une connexion réseau rapide et stable, nous vous recommandons d'utiliser la connexion Ethernet. Branchez une extrémité d'un câble réseau RJ-45 (câble Ethernet droit) dans le port **Ethernet** à l'arrière du lecteur Zappiti (Catégorie 5E ou plus). Ensuite, branchez l'autre extrémité du câble réseau dans le port **LAN** de votre box, routeur ou votre switch Ethernet si vous en utilisez un. La configuration est automatique. *Notez que certains switchs réseau peuvent parfois générer des problèmes de saccades vidéo.*



Wi-Fi

Une fois le lecteur démarré, allez dans Settings puis Wi-Fi et commutuez le bouton « **Activé** ». Puis, choisissez votre réseau personnel dans la liste. Enfin, saisissez votre clé de sécurité et validez.

Bluetooth

Le lecteur Zappiti est compatible avec les appareils utilisant la technologie Bluetooth. Pour accéder à la liste des appareils accessibles en Bluetooth, allez dans **Settings / Bluetooth**. Puis commutuez l'interrupteur sur « **Activé** ».



Filtre Ethernet (non inclus)

Pour obtenir les meilleures performances audio, nous vous conseillons vivement d'acheter un filtre Ethernet médical ou Hi-Fi afin de réduire les pollutions de signal provenant de diverses sources. *Plus d'info sur www.zappiti.store.*

Utilisez les touches **GAUCHE**, **DROITE**, **HAUT**, **BAS**, pour naviguer dans les menus, **OK** pour valider et **RETURN** pour revenir en arrière. Utilisez la touche **MENU** de la télécommande pour afficher la liste des commandes disponibles. Utilisez la touche **INFO** pour afficher les informations techniques disponibles en cours de lecture.

Zappiti Explorer

Zappiti Explorer est un gestionnaire de fichiers. Cette application permet d'explorer et de lancer de manière simple la lecture de vos fichiers vidéo, photo et audio mais propose également de nombreuses fonctionnalités multimédia avancées telles que : des fonctions copier, coller, couper, renommer, supprimer, une fonction de diaporama musical, des fonctions de lecture enchaînée, aléatoire, etc. Pour utiliser les fonctions avancées, pressez la touche MENU de la télécommande. Cette application ne nécessite pas d'enregistrement.

Zappiti Video

Zappiti Video est une application de gestion de collections de films et séries TV. Zappiti Video organise votre collection de vidéos dématérialisées, avec téléchargement automatique des posters, synopsis, infos, acteurs, fonds d'écran, note, etc., classement automatique par catégorie, filtres de tri, moteur de recherche, contrôle parental, téléchargement de sous-titres, bandes annonces, etc.

Avant de commencer à utiliser Zappiti Video, vous devez créer un compte Zappiti et enregistrer votre appareil. Commencez par connecter votre lecteur multimédia à Internet via Wi-Fi ou Ethernet. Lancez l'application Zappiti Video et sélectionnez votre langue. Une présentation de la télécommande s'affichera. Ensuite, suivez les instructions à l'écran. Si vous n'avez jamais utilisé Zappiti auparavant et si vous n'avez pas de compte Zappiti, veuillez cliquer sur **Créer un compte maintenant**. *Si vous avez déjà un compte Zappiti, saisissez vos identifiants et cliquez sur **Connexion**.*

Connexion

Email

Mot de passe

Connexion

Créer un compte maintenant

Retour

Mot de passe oublié ?

Cliquez ici pour créer un compte Zappiti

Ensuite, vous serez invité à saisir votre numéro de **Token** Zappiti. Le numéro de Token est imprimé sur un autocollant collé sous le boîtier du lecteur Zappiti. Vous n'aurez à le renseigner qu'une seule fois. Ensuite, toutes les informations de votre compte seront sauvegardées dans la mémoire interne du lecteur. Zappiti a besoin de ces informations afin de pouvoir enregistrer votre collection (uniquement les jaquettes et non les films) sur votre compte Cloud qui est fourni gratuitement par Zappiti. Le Zappiti Cloud vous permet de préserver votre collection. En cas de panne du lecteur, ou d'achat d'un lecteur Zappiti plus haut de gamme, il vous suffira de saisir vos identifiants pour accéder à votre collection et de tout récupérer à l'identique. Le Zappiti Cloud permet aussi de faire du multiroom pour accéder à votre collection de films et séries depuis d'autres lecteurs dans la maison.

Contrôlez votre Zappiti via tablette / smartphone

Vous pouvez aussi contrôler la lecture vidéo à l'aide de l'application dédiée **Zappiti Media Control** disponibles pour iOS / Android. Installation: Allumez votre tablette / smartphone, puis rendez-vous sur le **Play Store** (Android) ou dans l'**App Store** et recherchez l'app à l'aide des mots clés « **Zappiti control** » et installez l'app. Ensuite, lancez l'app et entrez vos identifiants de compte Zappiti. Vous aurez la possibilité de contrôler la lecture vidéos et d'administrer votre collection.

Plus d'infos sur: zappiti.com

Accès réseau

Le lecteur Zappiti est compatible Samba Server. Vous pouvez ainsi explorer et lire vos vidéos, images et musiques situées sur votre réseau local (NAS, ordinateurs, ...) en qualité optimale et de manière fluide. Le SMB 2 est supporté. Pour accéder à votre Zappiti en réseau, saisissez **\\ZAPPITINEO** dans l'explorateur de fichiers de votre ordinateur. Vous pouvez aussi y accéder par son **adresse IP**. Par exemple: **\\192.168.1.15**. Pour connaître l'adresse IP de votre Zappiti, allez dans **Réglages / Configuration Ethernet**. Ensuite, sur votre ordinateur, saisissez **guest** comme identifiant et mot de passe. Pour en savoir plus sur les autres fonctions réseau, consultez la base de connaissance: zappiti.uservice.com/knowledgebase

Le lecteur Zappiti propose également la fonction Zappiti Share (**SMB Server**) pour accéder à vos fichiers vidéo, photo et audio situés sur le disque dur interne (ou lecteur local connecté en USB au lecteur) depuis un autre lecteur Zappiti connecté au réseau. Il est ainsi possible de lire jusqu'à 5 fichiers vidéo en même temps depuis plusieurs pièces de la maison. Pour profiter de cette fonction, configurez l'accès aux dossiers de Zappiti Vidéo en choisissant **Zappiti Share** au lieu de Disques locaux.

Gérez vos fichiers avec Zappiti Explorer

Zappiti Explorer est un Explorateur de fichiers, mais aussi un gestionnaire de fichiers complet proposant des fonctions telles que: **Copier, Couper, Coller, Sélectionner, Sélectionner tout, Supprimer** et **Renommer**. Pour accéder à ces fonctions, pressez le bouton **MENU** de la télécommande du lecteur Zappiti.

Fonction diaporama

Pour gérer le **Délai du diaporama** et l'**Effet de transition**, Allez dans **Réglages > Applications > Configuration visionneuse photos**. Pour accéder aux options de zoom du diaporama en cours de lecture, pressez la touche **Zoom** une fois pour **Adapter à l'écran**, 2 fois pour **Pixel à Pixel**, 3 fois pour le **zoom personnalisé**. Ensuite, utilisez **P+/-** pour effectuer un **zoom avant/arrière** et les **flèches** pour **déplacer** le cadrage. Pressez **Pause** pour mettre le diaporama en pause et sur **Play** pour arrêter la pause. Pressez **OK** pour afficher la liste des images et accéder directement à l'une d'entre elles. Sur cet écran, pressez **7** pour répéter et **8** pour les options de lecture aléatoire.

Touche Info

Pour afficher les infos techniques complètes du fichier en cours de lecture, pressez la touche **INFO** de la télécommande. Vous y trouverez en particulier, le débit, le codec, la résolution, etc. Pour afficher l'explorateur de fichiers en cours de lecture, pressez la touche **OK**.

Options de lecture vidéo et audio

En cours de lecture, le bouton **MENU** de la télécommande permet d'accéder à différentes options de lecture vidéo et audio telles que l'accès direct à une position de lecture précise dans le temps, les options de zoom et de ratio, etc.

Statistiques du Zappiti NAS

Dans Zappiti Vidéo, la touche **MENU** permet d'accéder aux statistiques du **Zappiti NAS** Zappiti (température des disques, espace disponible, ...) ainsi qu'aux options d'encodage MP3/AAC/FLAC.

Installer une application tierce

Pour installer une nouvelle application, allez dans **Android Apps / AptoideTV**. Vous trouverez de nombreuses applications dédiées aux lecteurs multimédias qui peuvent être contrôlées par télécommande. Vous pouvez aussi utiliser le **GooglePlay**, mais certaines applications sont incompatibles avec les lecteurs Zappiti. Si vous souhaitez installer un fichier **APK** depuis une clé USB, utilisez **Zappiti Explorer**.

Ajouter un favori

Pour ajouter un raccourci vers une application, un dossier ou un fichier dans la section Favoris de la page d'accueil, pressez le bouton **Menu** de la télécommande lorsque vous êtes sur un dossier, un fichier ou une app, puis **Ajouter aux favoris**.

Créer une collection de films / séries avec Zappiti Vidéo

Avant de commencer à utiliser Zappiti, vous devez créer 2 dossiers distincts sur votre espace de stockage dans lequel vous ajouterez tous vos films et tous vos épisodes de séries TV :

Films

1. Créez un dossier « **FILMS** » et placez-y tous vos films et concerts.
2. Renommez les fichiers de vos films avec le nom exact du film. Par exemple le fichier du film « Metropolis » au format MKV devra être nommé « Metropolis.mkv ».

Séries

1. Créez un dossier « **SERIES** » et placez-y toutes vos Séries TV.
2. Vos fichiers d'épisodes doivent être placés dans un dossier dédié à chaque saison. Puis les dossiers des saisons doivent être placés dans un dossier nommé « **SERIES** ». Les fichiers des épisodes doivent être nommés de la manière suivante : « **nomserie s01e01** ». Le format « **nomserie 1x01** » est également supporté. Utilisez « **s00e01** » pour les épisodes spéciaux.

Allumez votre lecteur Zappiti. Sur la page principale, cliquez sur le premier bouton intitulé **VIDEO**. Choisissez votre langue et saisissez vos identifiants Zappiti. Si vous n'avez pas encore de compte Zappiti, nous vous invitons à en créer un (voir page 35). Puis, cliquez sur le bouton **Connexion** situé en bas de la fenêtre.

Dans l'écran de configuration des dossiers, cliquez sur **Ajouter un dossier contenant vos films** (ou séries). Si vos fichiers sont sur un espace de stockage local (disque dur ou clé USB connecté au lecteur Zappiti), choisissez **Disques locaux** dans la liste. Si vous avez plusieurs lecteurs, choisissez **Zappiti Share**. Naviguez ensuite jusqu'au dossier **FILMS** (ou **SERIES**), puis cliquez sur le bouton **Ajouter ce dossier** situé en haut de la fenêtre une fois à l'intérieur du dossier que vous souhaitez ajouter.

Attention! Il ne faut pas rajouter chaque dossier contenant un film mais uniquement le dossier principal contenant tous les films, même si vous avez des sous-dossiers. Zappiti analysera automatiquement les sous-dossiers. Si vous avez un NAS, placez les dossiers FILMS et SÉRIES dans le dossier partagé VIDEO et non à la racine du NAS, sous peine d'obtenir un message d'erreur.

Votre dossier sera ajouté à la liste des dossiers à analyser. Le nom du dossier ajouté doit apparaître entre le bouton **Films** (ou **Séries**) et le bouton **Editer**. Si le chemin du dossier ne semble pas correct, vous pouvez utiliser le bouton **Editer**. Si vous désirez supprimer un dossier de cette liste, cliquez sur le bouton **Supprimer** (cela ne supprimera pas vos fichiers sur le disque dur mais uniquement le dossier d'indexation). Vous pouvez ajouter d'autres dossiers en répétant la procédure ci-dessus.

Une fois ajouté votre ou vos dossiers **FILMS**, quittez cet écran en pressant la touche **Retour** de la télécommande. Zappiti Vidéo lancera le processus d'identification et indexera tous vos fichiers vidéo situés dans les dossiers **FILMS** et **SERIES** précédemment référencés. Un panneau d'information s'affiche ensuite vous indiquant les différentes tâches en cours. Pour le quitter, pressez la touche **RETOUR**. Pour réafficher le panneau de tâches en cours, pressez la touche **MENU**, puis cliquez sur **Tâches en cours**.

La configuration est terminée. Vous pouvez désormais profiter de votre collection de films et séries TV.

Plus d'info: zappiti.uservoice.com/knowledgebase

Pour accéder au panneau de configuration, Pressez le bouton **MENU**. Vous y trouverez de nombreuses options telles que: langue, traductions, thèmes, bandeaux, reflet, contrôle parental, identification au démarrage, compte, tokens, etc.

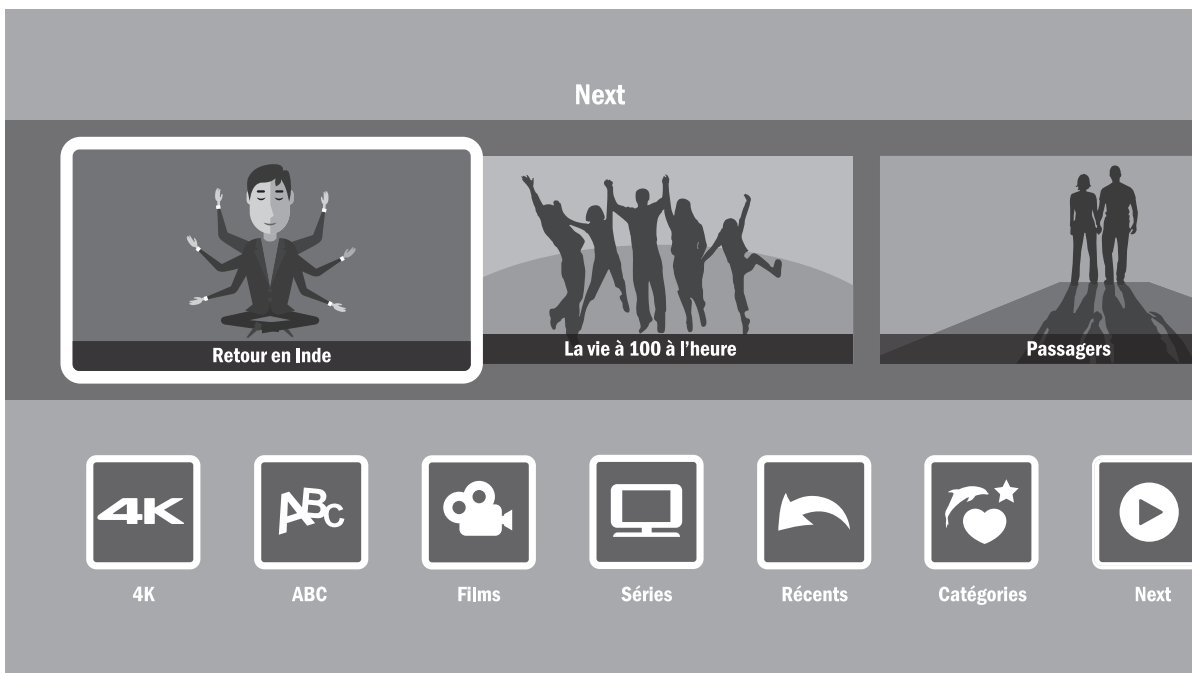
Utilisation de Zappiti Vidéo

La page d'accueil de Zappiti Vidéo est composée de 2 parties. La partie inférieure propose des boutons d'accès à des modules. Par défaut, un certain nombre de modules sont affichés tels que : **TOUS, FILMS, SÉRIES, RÉCENTS, CATÉGORIES, ...** Il est possible de supprimer ou de rajouter des modules à l'aide du bouton **MENU** de la télécommande. Il est également possible de faire apparaître le contenu d'un module ou d'une catégorie au choix dans la partie supérieure (vitrine). Par défaut, c'est le module **NEXT** qui est proposé. Ce module affiche les films ou épisodes en cours de lecture. Dans le cas où vous avez terminé un épisode de série TV, l'épisode suivant est proposé. Dans le cas d'une saga, c'est le film suivant qui est affiché. Pour supprimer un épisode ou un film du module **NEXT**, sélectionnez-le et pressez la touche **MENU**, puis cliquez sur **Supprimer de la vitrine**.

```
/storage/HDD/Films
Storage ID: 0000000000000000
```

Si le Storage ID indique «00000000», cela signifie que Zappiti ne peut pas écrire sur le disque dur. Dans ce cas, reformatez ou remplacez le disque .

Pour accéder à davantage de fonctionnalités, pressez la touche **MENU** de la télécommande.



Identifier un film / un épisode

Lorsque vous ajoutez un fichier vidéo à votre dossier **FILMS**, Zappiti l'indexera automatiquement lors du prochain redémarrage de l'application. Pour forcer le processus d'identification, pressez la touche **MENU**, puis cliquez sur l'option **Identifier**.



Identification



Identifier ←



Pas de vidéo à identifier

Supprimer un film / un épisode

Lorsque vous supprimez un fichier vidéo de votre dossier **FILMS**, Zappiti supprime automatiquement sa jaquette et sa page descriptive de votre collection Zappiti lors de la prochaine analyse. Vous pouvez supprimer manuellement un film à l'aide de l'option **Supprimer** située dans le **MENU** (actions contextuelles).



Edition



Supprimer... ←



Editer les catégories associées

Identifier manuellement un film non identifié

Même lorsque vos fichiers ne sont pas nommés correctement avec uniquement le titre du film (ou de la série TV), Zappiti arrive dans la plupart des cas à identifier les films mais uniquement lorsqu'un utilisateur Zappiti a déjà précédemment identifié le même fichier (ou disque dans le cas du Zappiti NAS) que vous. En effet, la base de données Zappiti Db est communautaire et participative. Mais si votre fichier est unique (par exemple si vous l'avez recompressé) ou qu'il n'a jamais été identifié manuellement par un autre utilisateur Zappiti, il ne sera pas identifié. Dans ce cas, suivez cette procédure:

Pressez la touche **Menu** et cliquez sur le bouton **X à identifier**. Vous verrez la liste des fichiers qui n'ont pas été identifiés par Zappiti. Dans la fenêtre d'identification, saisissez à nouveau le nom du film.

Vous pouvez également entrer le code d'identification TMDB pour identifier votre film ou votre série TV. Sur TMDB, le code d'identification se trouve dans l'URL de la page de film. Par exemple, l'URL du film **Charade** sera "https://www.themoviedb.org/movie/4808-charade/". Saisissez le numéro d'identification "4808" dans le champ de saisie à la place du nom du titre à l'aide des touches numéro de la télécommande. Puis appuyez sur le bouton **Rechercher**. Zappiti trouvera le bon film à 100%. Si votre film ou votre série TV n'existe pas sur TMDB, vous pouvez l'ajouter en créant un compte sur TMDB.

Fichiers 3D, 4K et UHD

Les fichiers 3D BD ISO, UHD ISO et 4K ISO ainsi que les dossiers BDMV pour 3D et 4K UHD peuvent ne pas être toujours identifiés correctement de manière automatique. Dans ce cas, pour identifier ces conteneurs, veuillez ajouter les balises suivantes dans le nom comme suit:

Fichiers 3D : "3D" (par exemple: "Metropolis.3D.iso").

Fichiers UHD : "UHD" ou "ULTRAHD" ou "ULTRA-HD" (par exemple: "Metropolis.UHD.iso").

Fichiers 4K : "4K" ou "4096" (par exemple: "Metropolis.2160x4096.iso").

Comment changer une image (jaquette ou fond)

Pour changer la jaquette ou le fond d'écran d'un film ou d'une série TV, pressez la touche **Menu**, puis cliquez sur l'option **Changer** l'image située dans le menu **Edition**. Ensuite, cliquez sur la jaquette ou le fond de votre choix. Le bandeau **Zappiti Db** indique que l'image fait partie de la base de données de jaquettes de films Zappiti. Avec la version Mac et PC de Zappiti Video, il est possible d'ajouter une image depuis votre disque dur.

Thèmes graphiques Zappiti

Pour modifier le thème graphique de Zappiti Video, pressez la touche **MENU** puis, allez à **Configuration / Deuxième onglet (outils) / Thème**. Pour changer le thème graphique de la page d'accueil du lecteur et les menus de réglages, allez dans **Réglages > Apparence > Thème graphique**.

Attention, le thème silver pour Zappiti Video est en option payante, disponible sur : store.zappiti.com

Disques durs multiples

Zappiti Video est capable de mélanger le contenu de **plusieurs sources**. Par exemple : 2 disques durs et un serveur NAS. Si vous utilisez plusieurs disques durs, Zappiti est capable de détecter s'ils sont accessibles ou non. Lorsque vous lancez un film mais que le disque dur contenant le film n'est pas connecté, Zappiti affiche une fenêtre contextuelle vous demandant d'insérer ou de **connecter le disque dur concerné**.

Contrôle parental

Pour marquer un film comme **Autorisé aux enfants**, sélectionnez un film (ou un groupe), puis pressez le bouton **MENU** et cliquez sur **Autoriser aux enfants**. Entrez ensuite un code PIN à 4 chiffres.

Code parental

Veillez saisir un code PIN à 4 chiffres. Ce code vous permettra de verrouiller votre collection et restreindre l'accès aux films marqués en tant que « Autorisé pour enfants ».

* * 7

Annuler

Catégories personnelles

Par défaut, les films et les séries TV sont automatiquement associés à des catégories. Mais vous pouvez créer vos propres catégories et associer manuellement vos films. Pour créer une catégorie, allez dans les catégories, puis pressez la touche **MENU** et cliquez sur **Créer une catégorie**. Saisissez un **nom** et choisissez une **icône**. Le menu contextuel donne également accès à des options supplémentaires pour les catégories comme : **modifier la position**, **éditer** ou **supprimer**.



Zappiti Video au démarrage

Pour activer l'option, lancez Zappiti Vidéo, pressez **MENU**, allez dans **Configuration**/second onglet et activez l'option dans la liste.

Zappiti au démarrage

- Lancer automatiquement Zappiti au démarrage

Filtres et tris

Pour trier vos films, pressez la touche **MENU**. Puis, dans section **Filtres et tris**, cliquez sur le premier élément. Sélectionnez ensuite le tri souhaité: **A à Z**, **Date de sortie**, **Durée**, **Ajout...** Pour filtrer vos films, cliquez sur l'option suivante: **Vu**, **En cours** ou **Non vu**.

Filtres et tris

- Dates de sortie décroissantes
- Vidéos vues
- Vidéos en cours
- Vidéo non vues

Moteur de recherche

Pour rechercher un film, une série ou un film d'un acteur ou réalisateur spécifique, pressez la touche **MENU**, puis sur la première ligne, cliquez sur le **moteur de recherche**. Saisissez votre recherche (titre, acteur, réalisateur). Les résultats seront filtrés par film, série, acteur et réalisateur.

Sagas / Groupes

Les films de sagas sont automatiquement groupés et triés par date de sortie. Une couverture de saga dédiée à la collection est associée au groupe et les films sont affichés en mode ligne (carrousel 3D).

Mode panoramique 2.35:1

Pour régler l'interface graphique de Zappiti Video en mode 2.35:1, pressez la touche **MENU**, puis allez dans la colonne **Collection** et allez dans **Configuration**. Allez ensuite dans **Outils > Thème** et sélectionnez la variation du thème dédiée au ratio 2.35:1 (**Deux lignes 2.35:1** ou **Trois lignes 2.35:1**). Ensuite, si nécessaire, vous pouvez ajuster l'overscan pour qu'il s'adapte parfaitement à votre écran. Pour cela, appuyez sur **MENU**, allez dans la colonne **Divers**, puis allez dans **Overscan**.

Afficher un bandeau spécial

Zappiti est capable de détecter automatiquement certains formats et d'ajouter un bandeau en haut des jaquettes tel que **4K Ultra HD Blu-ray**, **Blu-ray** ou **DVD**. Mais il est également possible d'ajouter des bandeaux spéciaux telles que **Director's Cut**, **Special Edition**, **Disc 2**, **Bonus Disc** et bien d'autres. Pour ajouter un bandeaux spécial sur une jaquette, pressez la touche **MENU**, puis allez sur **Editer**, puis allez sur l'onglet **Informations techniques**, allez sur **Bandeau spécial** et sélectionnez le bandeau que vous souhaitez associer à votre jaquette de film ou de série / saison.

Options d'affichage des sous-titres pendant la lecture

Pour modifier les options d'affichage des sous-titres telles que la position verticale, la taille et la couleur, appuyez sur le bouton **Subtitle** pendant la lecture vidéo, puis allez sur Réglages et modifiez l'option souhaitée. Pour changer la position verticale, utilisez les boutons **HAUT/BAS**. Pour changer la taille, utilisez les boutons **P+ / P-**. Pour changer la couleur, utilisez les boutons 1-6. Pour ajouter des sous-titres externes, veuillez utiliser le même nom que le fichier vidéo comme suit :

Metropolis.mkv / Metropolis.srt

Zoom et ratio d'affichage pendant la lecture de vidéos

Pour modifier le rapport hauteur/largeur ou pour zoomer sur la vidéo pendant la lecture, pressez : 

Informations sur le fichier vidéo pendant la lecture

Pour afficher les informations telles que le débit, la résolution, la fréquence, etc., veuillez presser le bouton **INFO** de la télécommande pendant la lecture du fichier vidéo.

Générer un fichier CSV à partir d'une collection Zappiti

Si vous souhaitez extraire toutes les données de votre collection pour les traiter dans un logiciel de gestion externe ou un tableau Excel, cette fonctionnalité devrait pouvoir vous aider. Pour générer un fichier .csv à partir de votre collection, appuyez sur le bouton **MENU** de votre télécommande et allez dans **Configuration**. Ensuite, dans le deuxième onglet (outils), faites défiler vers le bas pour sélectionner **Générer un fichier .csv à partir de la collection**. Un fichier CSV sera envoyé à l'adresse e-mail de votre compte Zappiti.

Ajouter une catégorie dans la vitrine

Sur la page d'accueil de Zappiti Video, pressez le bouton **MENU**, et allez dans **Ajouter un module dans la vitrine**. Choisissez dans la liste des modules la catégorie que vous souhaitez mettre en avant dans la vitrine.

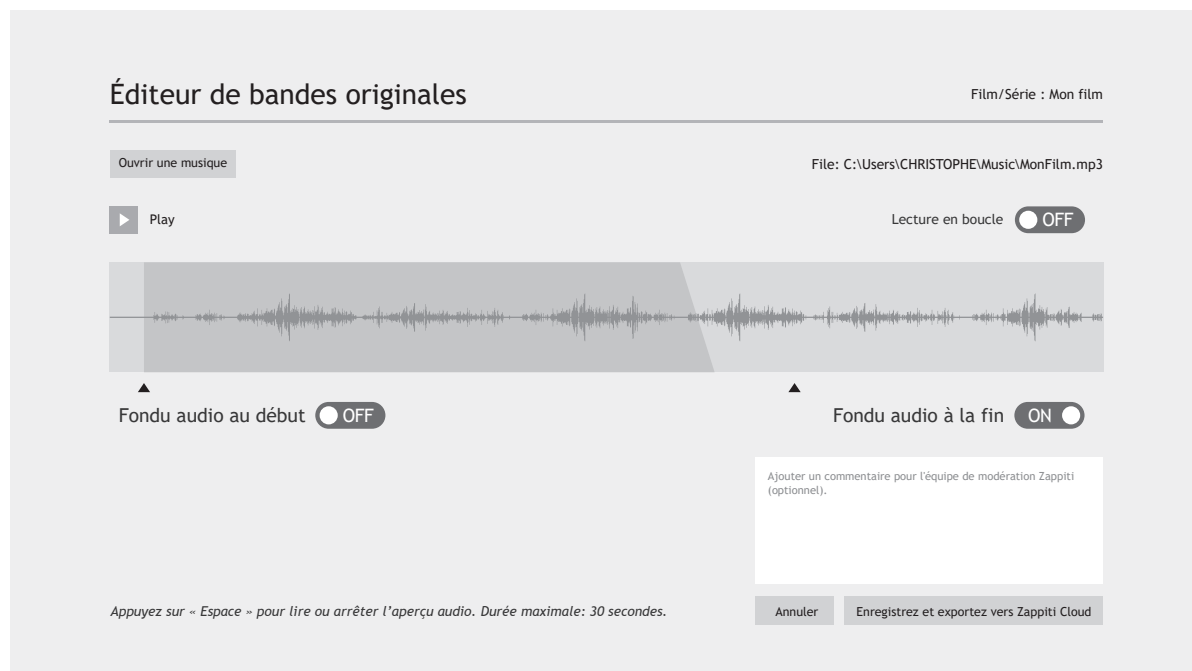
Message d'erreur "Compte / token déjà utilisé"

Lorsque vous voyez le message **Compte / token déjà utilisé** vous devez libérer le jeton Zappiti Player pour pouvoir l'utiliser à nouveau. Si vous n'êtes pas en mesure de le faire vous-même, contactez l'assistance Zappiti en nous envoyant une photo de l'autocollant avec le numéro de token situé sous le lecteur.

Zappiti Soundtrack

Pendant la navigation dans les films et les séries TV, Zappiti joue le thème musical. Cette option appelée Zappiti Soundtrack est activée par défaut. Elle peut être désactivée dans le panneau de configuration (**Menu / Configuration / Outils**). Pour ajouter votre propre bande son, vous pouvez utiliser **Zappiti Soundtrack Editor** disponible sur les versions PC et Mac de Zappiti Video.

Dans votre collection, localisez le média (film, série ou saga). Faites un clic gauche sur la jaquette pour afficher le menu contextuel. Ensuite, cliquez-droit sur le bouton **Associer une bande son**. Puis, cliquez sur le bouton **Ouvrir une musique** pour importer votre musique. Patienter pendant le processus d'importation. Enfin, votre piste audio apparaîtra dans **Zappiti Soundtrack Editor**.



Pour des questions juridiques, l'extrait ne doit pas dépasser 30 secondes. La durée minimale de l'extrait est de 10 secondes. La zone du clip est symbolisée par une bande gris foncé. Pour éditer le clip audio, cliquez et faites glisser les flèches de début et de fin. Nous vous conseillons vivement d'utiliser les options Fade In / Fade Out, mais il peut être utile de ne pas utiliser de fondus dans certains cas. Par exemple, cela peut être très utile si vous souhaitez réaliser une boucle parfaite.



Pour lancer la lecture audio de votre clip, cliquez sur le bouton **Lecture**. Vous pouvez déplacer la position de lecture (représentée par un curseur) en cliquant sur le clip avec votre souris. Cela facilite la modification de la fin du clip. Une fois le clip modifié, cliquez sur **Enregistrer et exporter vers Zappiti Cloud**.

Remarque: avant d'exporter votre bande son, vous pouvez insérer un commentaire pour l'équipe de modération Zappiti Soundtrack. Par exemple, vous pouvez indiquer que la piste par défaut est incorrecte ou ne correspond pas.

Zappiti Soundtrack étant un système communautaire, plus les utilisateurs ajoutent de bandes sonores, plus la base de bande son Zappiti Soundtrack s'agrandit.

Mise à jour firmware

Généralement, si un nouveau firmware est disponible, vous serez informé au démarrage du lecteur. Pour accéder à la page de mise à niveau du firmware et lancer manuellement la mise à jour en ligne, allez dans **Réglages > Divers > Mise à jour firmware**. Vous verrez la version actuelle du firmware. Cliquez sur **Vérifier les mises à jour disponibles**. Si une nouvelle version est disponible, vous pourrez la télécharger et l'installer. S'il n'y a pas de nouvelle version du firmware disponible, une fenêtre contextuelle apparaîtra pour le confirmer. Pour mettre à niveau manuellement le firmware à l'aide d'une clé USB, consultez la base de connaissances Zappiti ici :

zappiti.userservice.com/knowledgebase



AVERTISSEMENT

Dans certains cas, lors de cette procédure, l'écran du téléviseur peut basculer en **VERT** ou en **NOIR** pendant un moment. C'est normal! Veuillez ne pas redémarrer ou éteindre votre Zappiti pendant toute la durée du processus. Dans ce cas, veuillez patienter **10 minutes** avant de redémarrer votre Zappiti.

Réinitialisation des paramètres usine

Dans certains cas, une réinitialisation d'usine peut être nécessaire.

Attention cependant, cela réinitialisera tous vos paramètres Zappiti et les informations de votre compte.

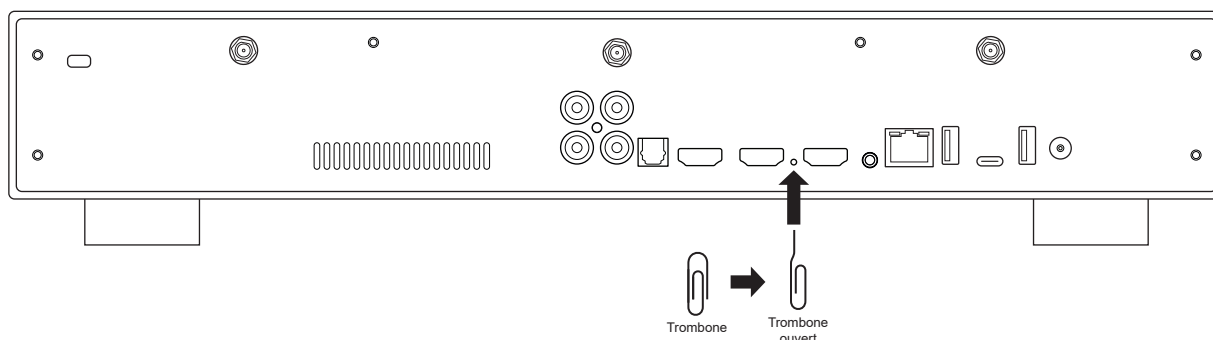
1. Allez dans **Réglages > Général**
2. Cliquez sur le bouton **Réinitialiser les paramètres**, puis sur **Réinitialiser les paramètres** (Reset Settings) pour confirmer la procédure.
3. Patienter pendant le processus de réinitialisation jusqu'à l'apparition de la page d'accueil.

Attention! Ne redémarrez pas ou n'éteignez pas votre Zappiti avant la fin du processus complet.

Réinitialisation matérielle

Si vous n'obtenez aucun signal vidéo, vous pouvez démarrer dans le menu de récupération :

1. **Démarrez** le Zappiti.
2. Pendant la mise sous tension, maintenez enfoncé le **bouton de réinitialisation** situé à l'arrière du Zappiti à l'aide d'un trombone.
3. Ensuite, cliquez sur **"Wipe data"** (effacer les données).



Assistance et Zappiti Db

Pour l'**assistance utilisateur**, contactez-nous à l'adresse:
tickets@zappiti.uservice.com

Tutoriels et base de connaissances:
zappiti.uservice.com/knowledgebase

Votez pour les fonctions futures:
zappiti.uservice.com/knowledgebase

Pour rejoindre la **communauté Zappiti Db** et créer des jaquettes de films et des fanarts pour Zappiti, veuillez nous contacter à l'adresse suivante:
tickets@zappiti.uservice.com

Zappiti Store

D'autres produits Zappiti, des câbles de très haute qualité, des accessoires supplémentaires et des disques durs sont disponibles sur le Zappiti Store:

zappiti.store



zappiti.com / zappiti.uservice.com/knowledgebase