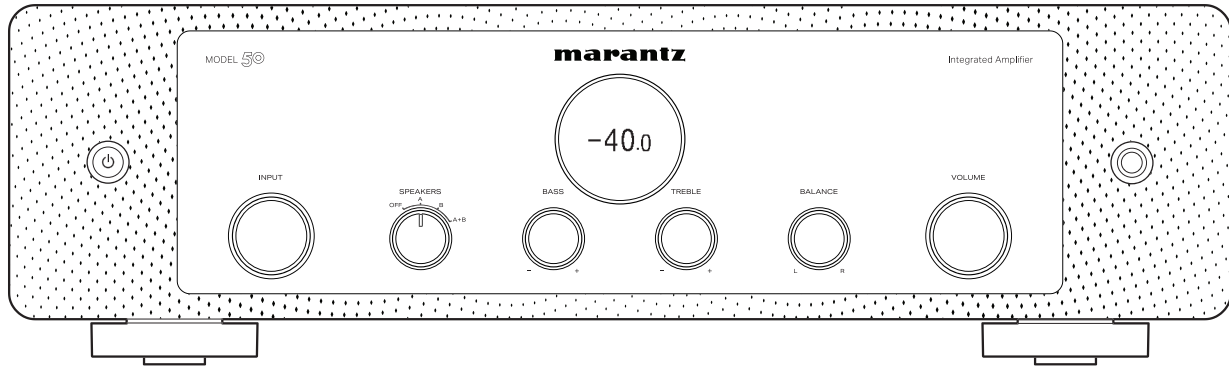


# marantz



MODEL 50 | Integrated Amplifier

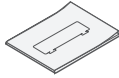
QUICK START GUIDE

# Before you begin

## What's in the box

---

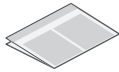
Quick Start Guide



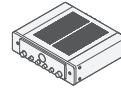
Safety instructions



Warranty  
(for North America  
model only)



Amplifier



Power cord



Remote control  
(RC003PMND)



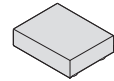
2× R03/AAA batteries



## Required for setup

---

Source device  
(e.g. CD player,  
Network audio player,  
Turntable, Tuner)



Speakers



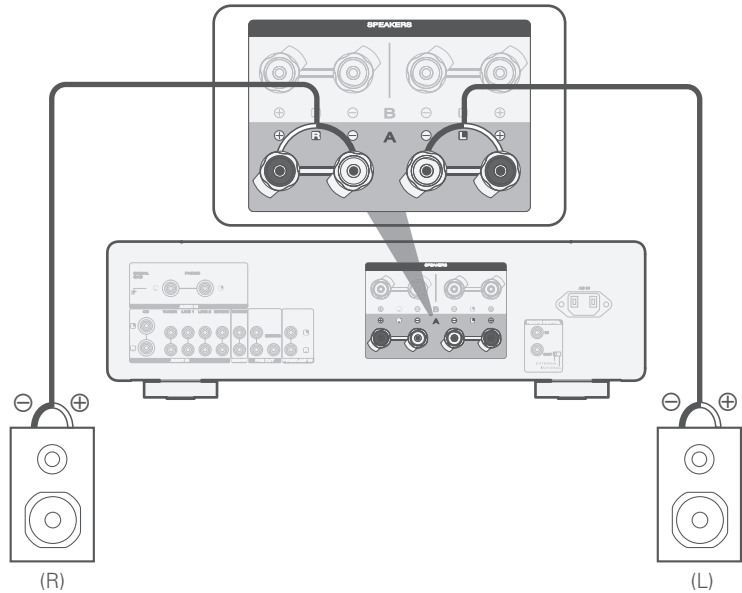
Speaker cables



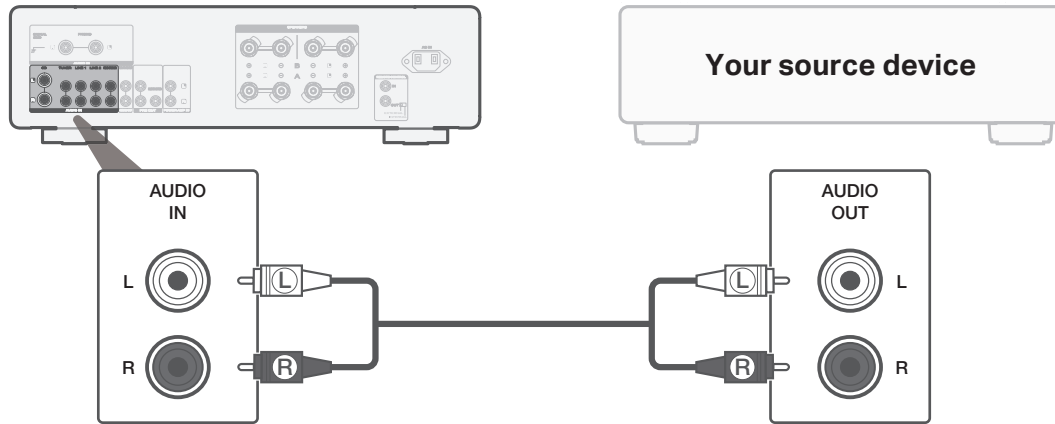
# Setup

## 1 Connect the speakers to MODEL 50

Connect your speaker cables between the MODEL 50 and your speakers.



## 2 Connect your source device

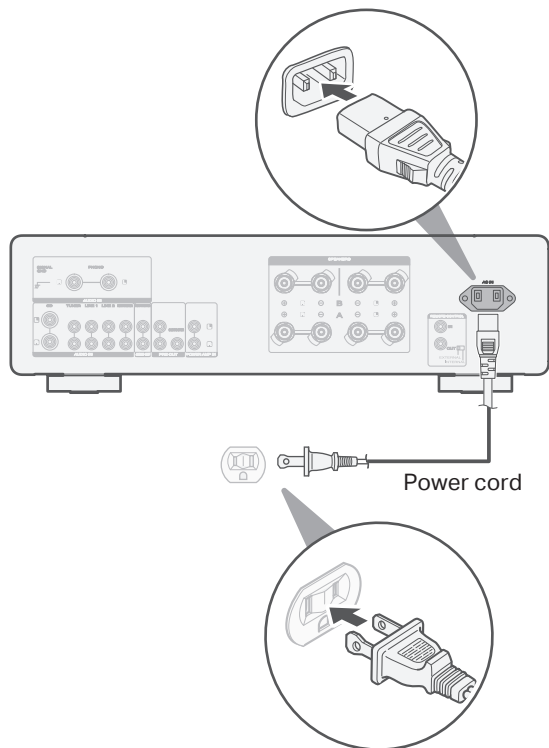


- For details, see the online owner's manual.  
[manuals.marantz.com/MODEL50/NA/EN/](https://manuals.marantz.com/MODEL50/NA/EN/)

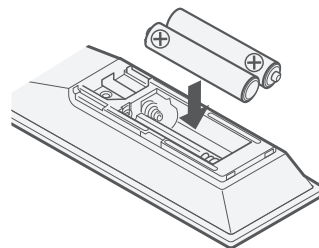
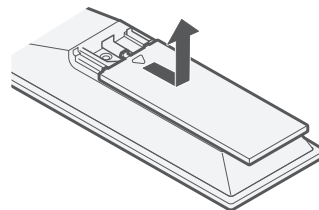


### 3 Connect to power

Connect the power cable between the MODEL 50 and a wall outlet.



### 4 Install batteries in the remote control



- Batteries can be taken out in reversed order.

## 5 Begin source playback

- 1 Press the power operation button.



- 2 Set the input source to the desired source device (e.g. CD player, Network audio player, Turntable, Tuner).



- 3 Ensure source device is connected to power and play content.

- 4 Adjust the volume.



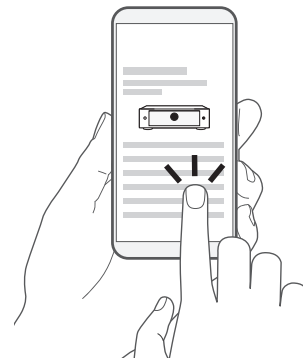
# Owner's manual

Refer to the online manual for other functions, information and operation procedure details.

[manuals.marantz.com/MODEL50/NA/EN/](http://manuals.marantz.com/MODEL50/NA/EN/)



Online manual





**marantz**