



SM48 SM48S

Vocal Microphone

Online user guide for SM48 and SM48S unidirectional dynamic microphones.
Version: 3 (2019-D)

Table of Contents

SM48 SM48SVocal Microphone	3	Accessories	6
		Furnished Accessories	6
SM48 /SM48S	3	Optional Accessories	6
Unidirectional Dynamic Microphones	3	Replacement Parts	7
Features	3	Certifications	7
Specifications	3		

SM48 SM48S Vocal Microphone

SM48 / SM48S

Unidirectional Dynamic Microphones

Shure Models SM48 and SM48S unidirectional dynamic microphones are designed for professional sound reinforcement, studio recording, and broadcasting applications. They maintain a true cardioid pattern throughout their frequency range, ensuring high gain before feedback and rejection of off-axis sound. The tailored frequency response is ideal for vocals. A presence rise brightens mid-range performance, and a low frequency rolloff controls proximity effect. Both models include a shock mounted cartridge, a steel mesh grille, and an integral "pop" filter. The SM48S also includes a lockable On/ Off switch. Each microphone is supplied with an adjustable stand adapter and a zippered carrying/storage bag. Cables are available separately.

Features

- Uniform cardioid pick-up pattern for maximum gain before feedback and excellent rejection of off axis sound
- Tailored frequency response specifically shaped for vocals, with bass roll off to control proximity effect
- Steel mesh grille and handle resist wear and abuse
- Shock mounted cartridge for reduced handling noise
- Effective built in pop-filter reduces undesirable wind and breathe noise
- Furnished with zippered storage bag and stand adapter
- Lockable On/Off switch (SM48S only)
- Shure quality, ruggedness and reliability

Specifications

Type

Dynamic (moving coil)

Frequency Response

55 to 14,000 Hz

Polar Pattern

Cardioid

Output Impedance

EIA rated at 150 Ω (270 Ω actual)

Sensitivity

at 1 kHz, open circuit voltage

-57.5 dBV/Pa ^[1] (1.3 mV)

Polarity

Positive pressure on diaphragm produces positive voltage on pin 2 with respect to pin 3

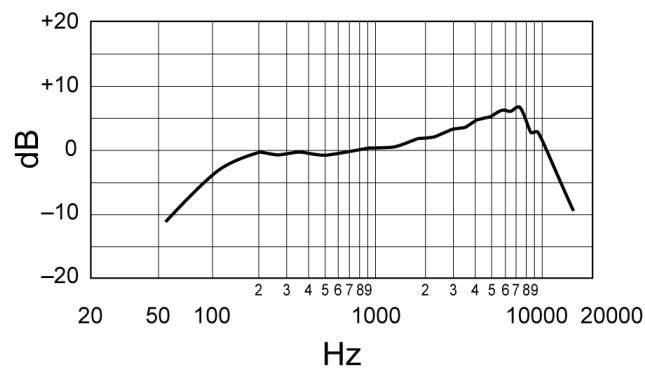
Weight

Net: 0.37 kg (0.82 lb) Packaged: 0.672 kg (1.5 lb)

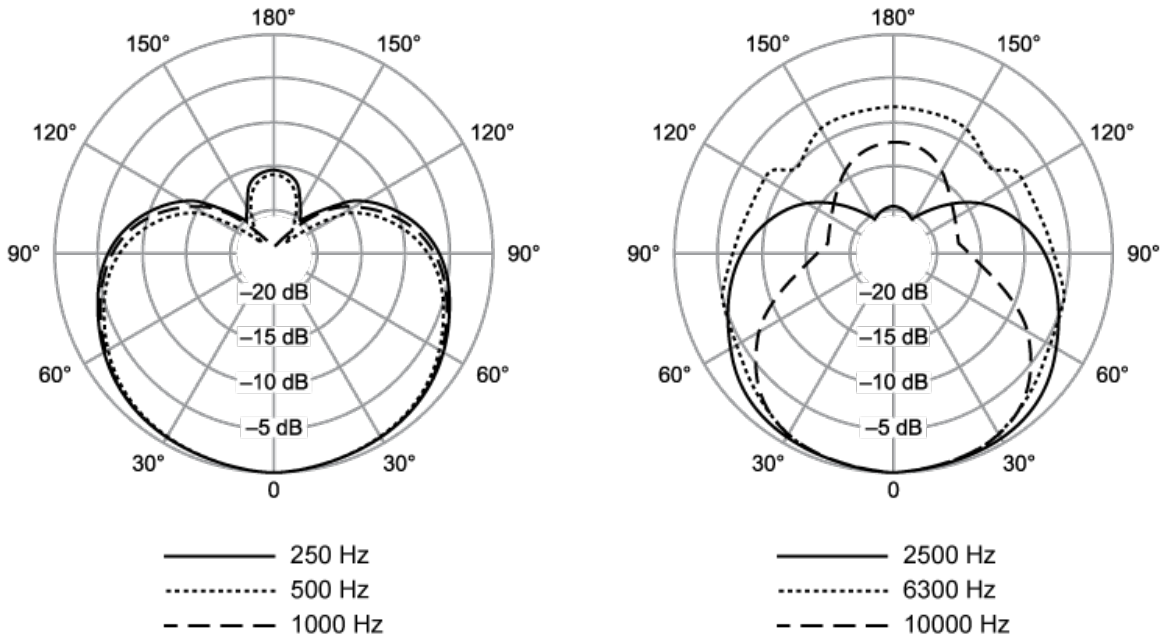
Connector

Three-pin professional audio (XLR), male

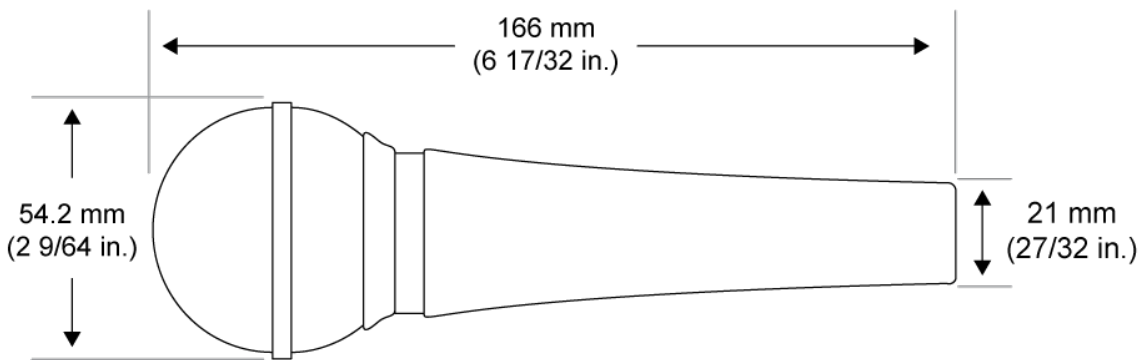
^[1]1 Pa=94 dB SPL



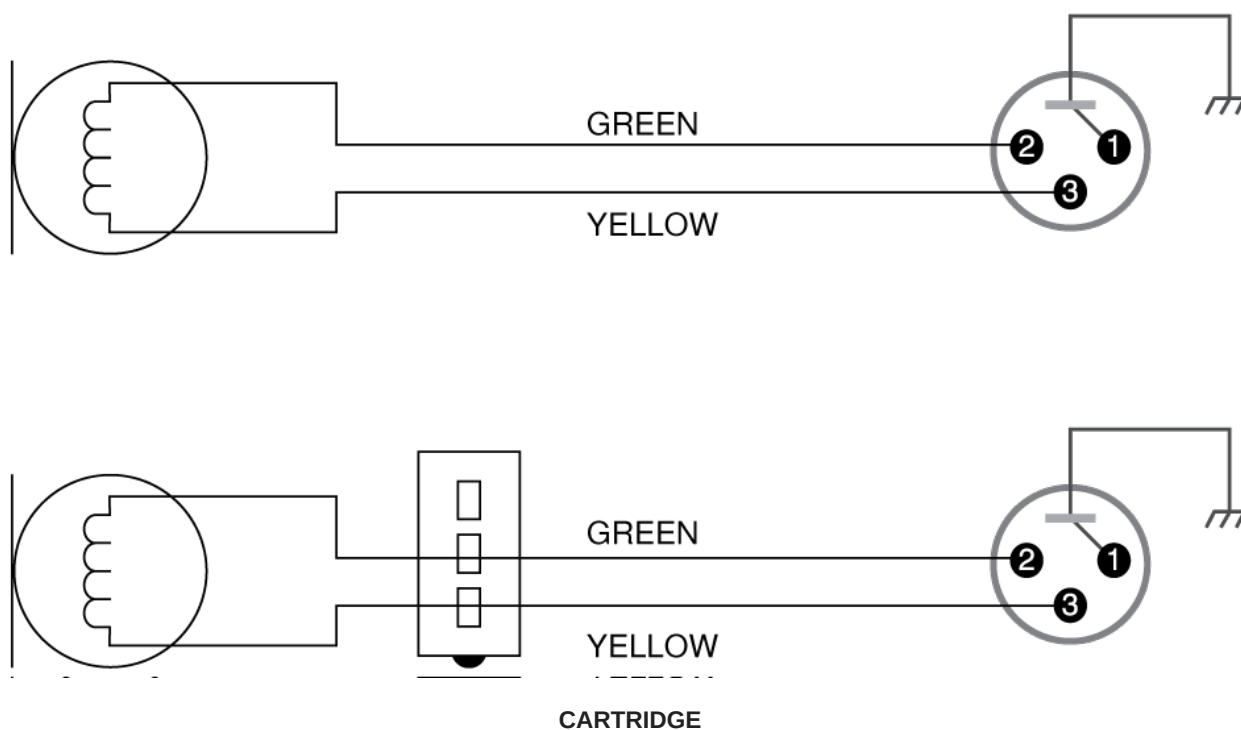
TYPICAL FREQUENCY RESPONSE



TYPICAL POLAR PATTERNS



OVERALL DIMENSIONS



Accessories

Furnished Accessories

Microphone Clip for SM58, SM57, SM87A, BETA87A, BETA87C, PGA57, PGA58, PGA48, PGA81	A25D
Carrying/Storage Bag	95A2313

Optional Accessories

Foam Windscreen for all larger Shure "ball-type" Microphones available in black, blue, gray, green, red and yellow	A58WS
Desk Stand	S37A
Shock Stopper® Isolation Mount	A55M
Shock Stopper Isolation Mount	A55HM
Over/Under Dual Mount for two microphones: SM57, BETA57A or 545 Series microphones	A26M
25 foot (7.5m) Triple-Flex® Microphone XLR Cable with chrome connectors	C25F

Replacement Parts

Grille for SM48 Series	RK248G
Cartridge for SM48	R136

Certifications

This product meets the Essential Requirements of all relevant European directives and is eligible for CE marking.

The CE Declaration of Conformity can be obtained from: www.shure.com/europe/compliance

Authorized European representative:

Shure Europe GmbH

Headquarters Europe, Middle East & Africa

Department: EMEA Approval

Jakob-Dieffenbacher-Str. 12

75031 Eppingen, Germany

Phone: +49-7262-92 49 0

Fax: +49-7262-92 49 11 4

Email: info@shure.de